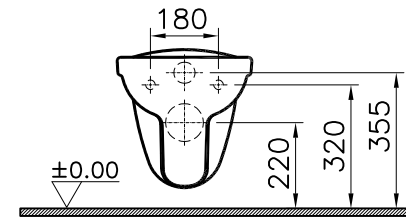
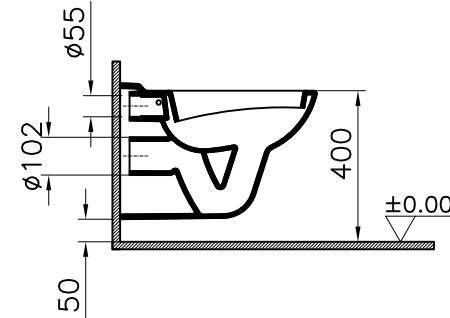
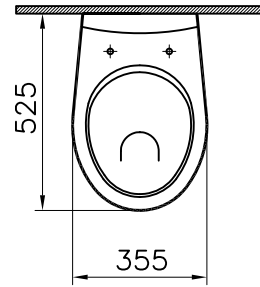


Theoretic Mass(kg)		Revision	
Surface Area(dm ²)		A4	

Thread	Hole	Shaft



1	1	Wall-hung WC Pan	5091-1030	Ceramic	
item	Quantity	Part Name	Drawing No	Material	Material Class
		Series	Material	Ceramic	Material Class
		NORM	Wall-hung WC Pan		
02	Replaces drawing dated 02.06.2005		23.09.2009	GOKHAN	
R.S	Description		Date	NAME	
Drawn By		Controlled By	Approved By	Date	Drawing No
U.AYDÖNER		O.KONEZ	B.TOPÇU	02.06.2005	5091
				Scale	VitrA® ARTEMA®
				1/20	

This drawing can only be used for the intended purposes. Unauthorized copying is strictly prohibited.

4
3
2
1

4
3
2
1

4
3
2
1

4
3
2
1

D
C
B
A

D
C
B
A