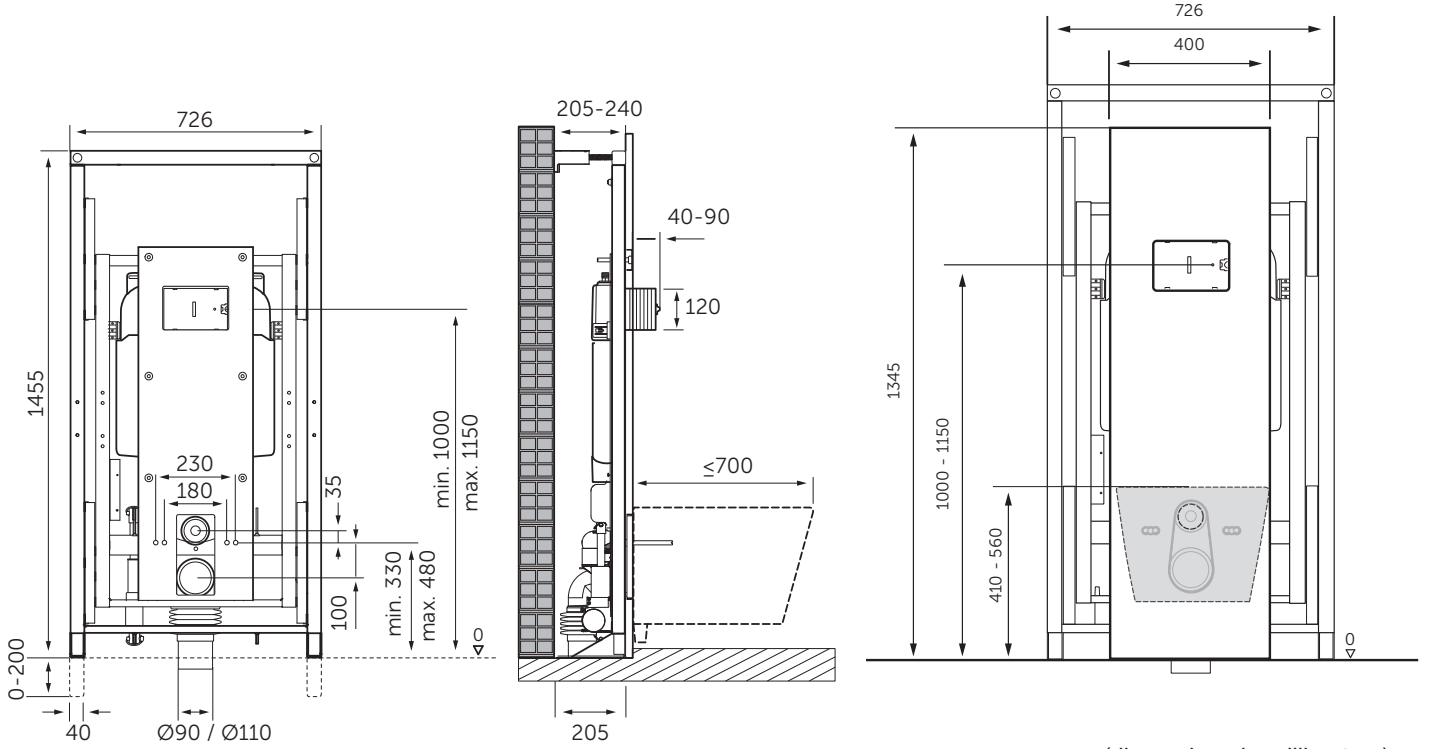
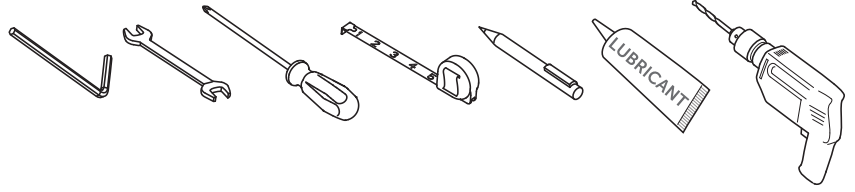


PROSYS

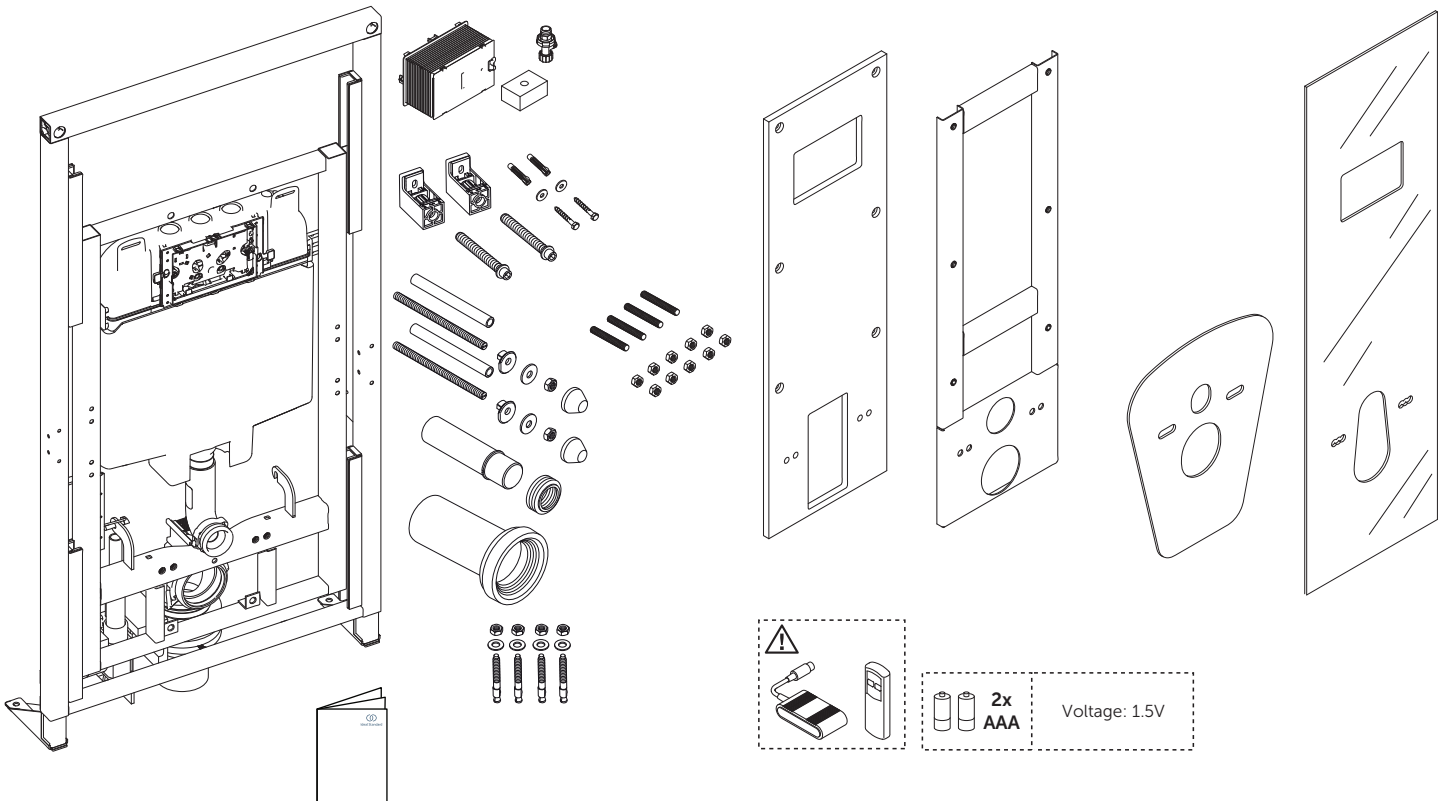
Comfort



Installation - Installazione - Installation - Montage - Instalación - Montering - Монтаж
 Montáž - Paigaldamine - Εγκατάσταση - Beszerelés - Montavimas - Montāža - Instalare
 Инсталација - Montaż - Установка - Montaža - Montáž - Montaj - Інсталяція

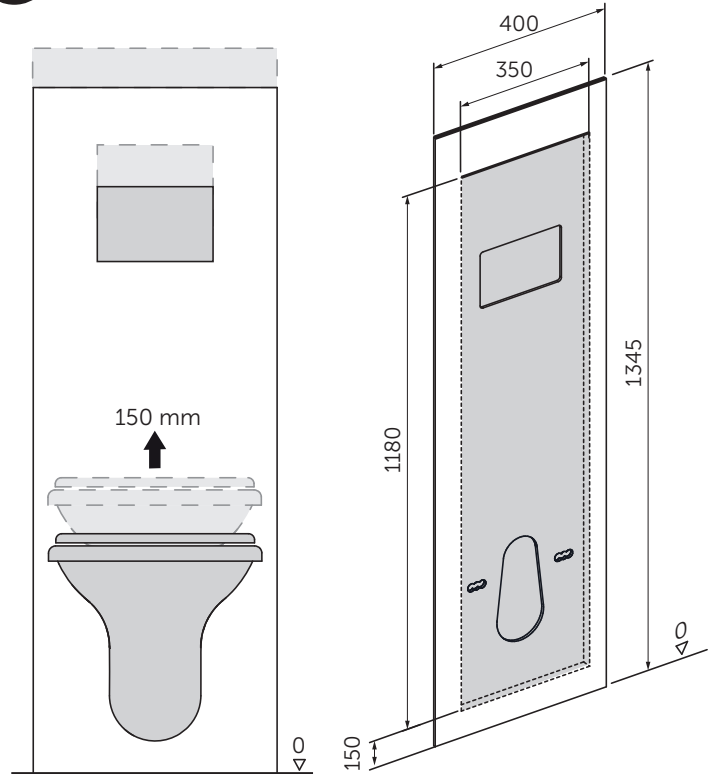
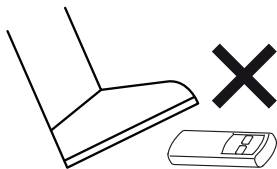
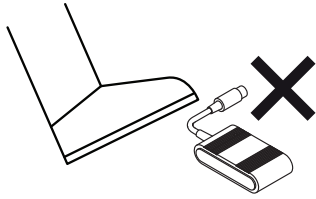
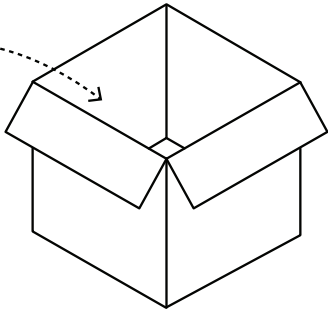
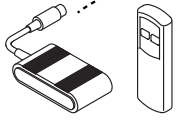


(dimensions in millimeters)

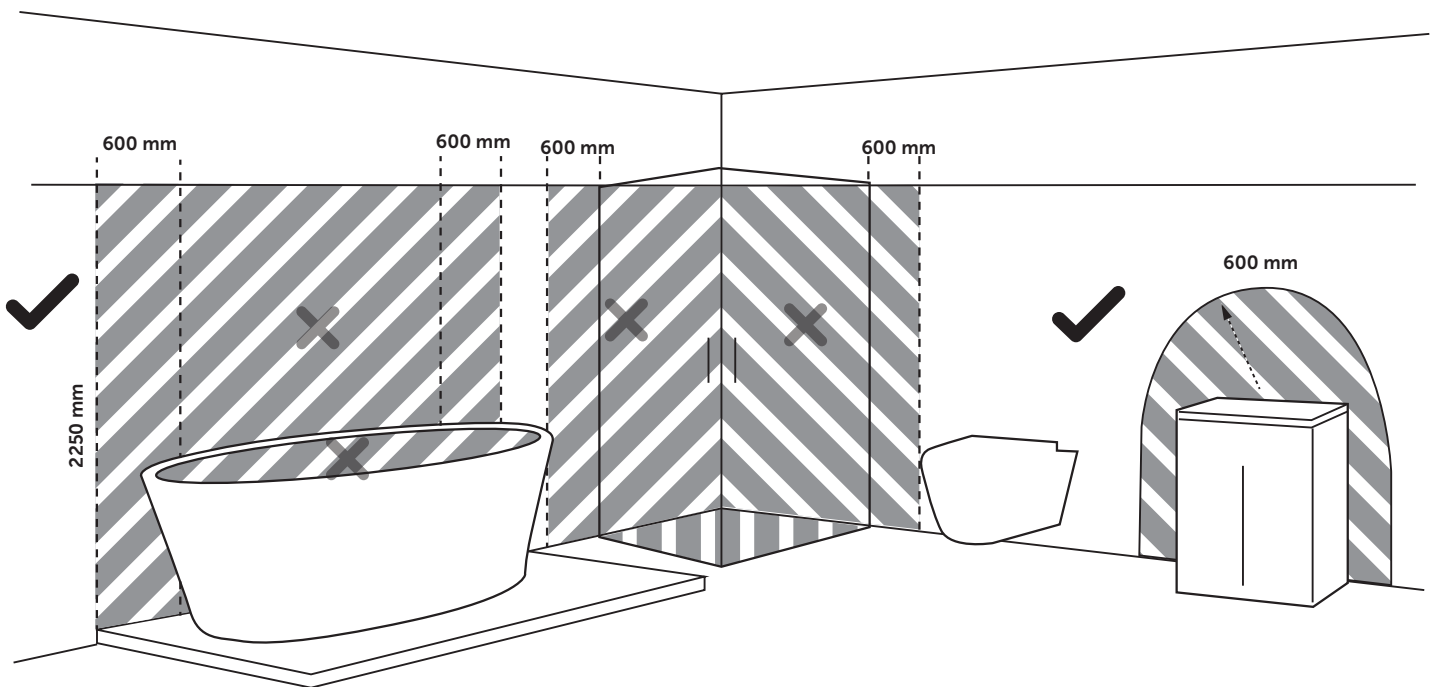




SAVE



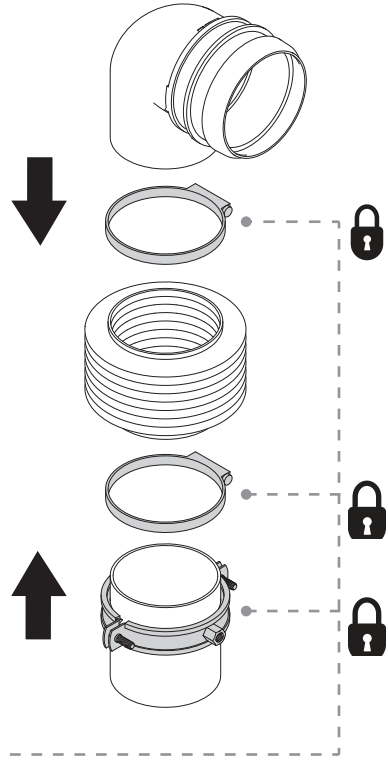
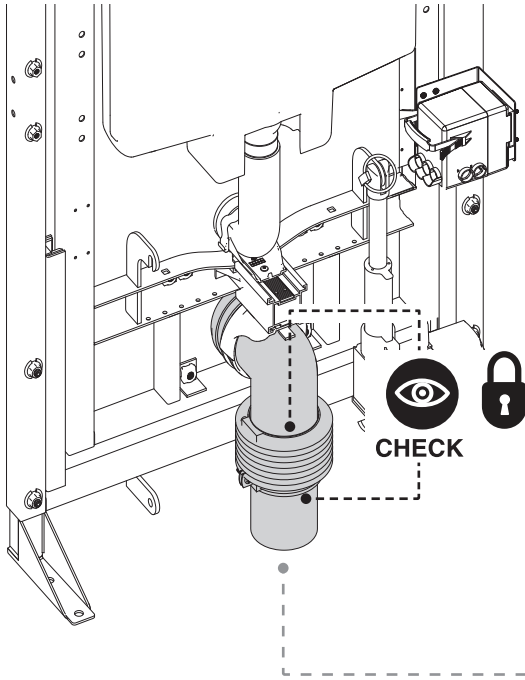
INSTALLATION ZONE



OK



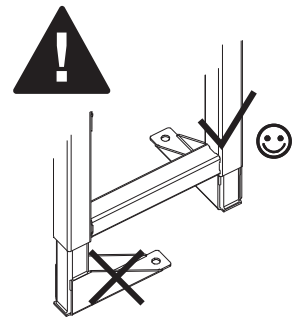
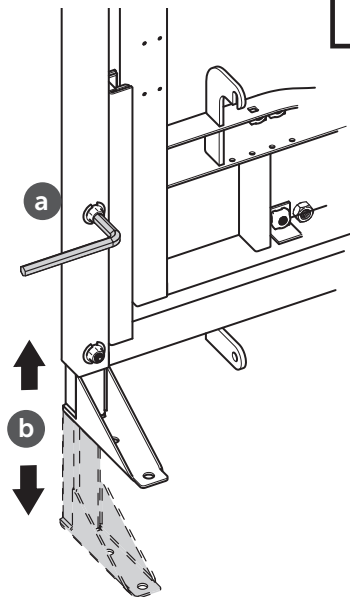
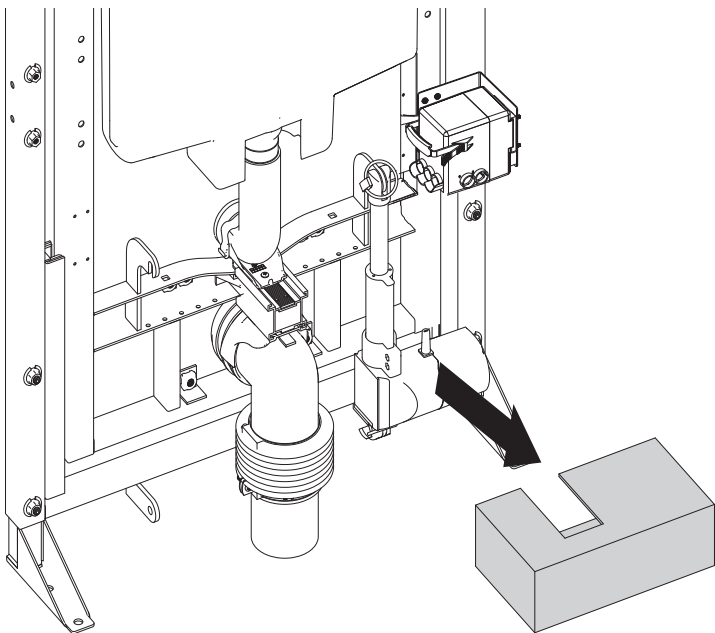
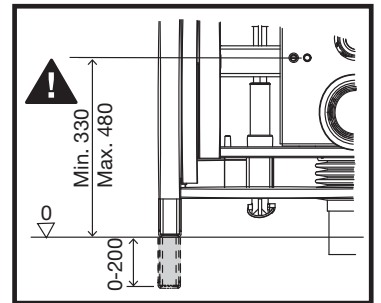
NO



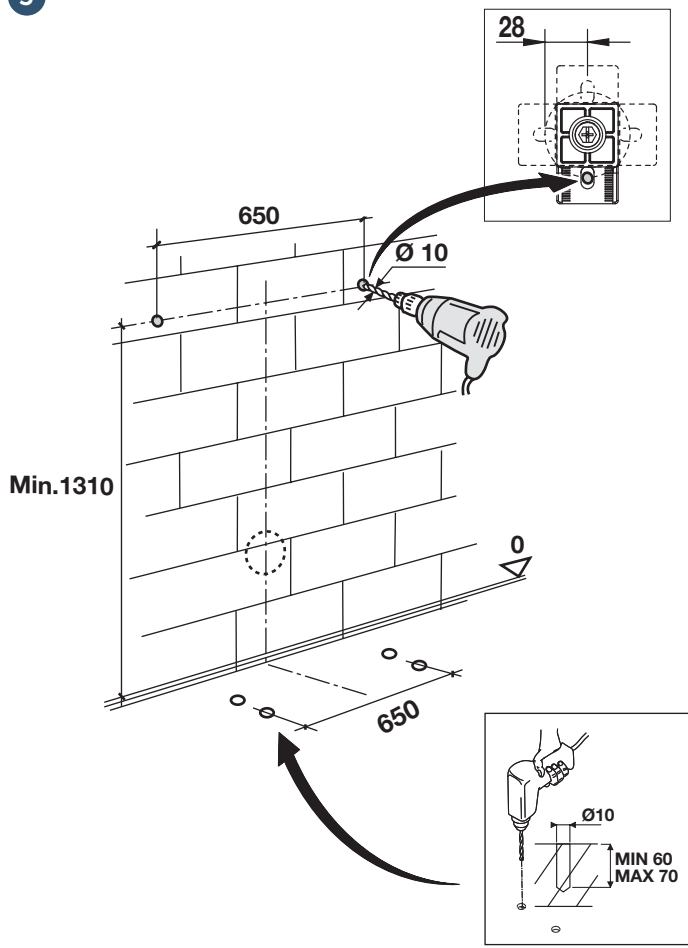
1



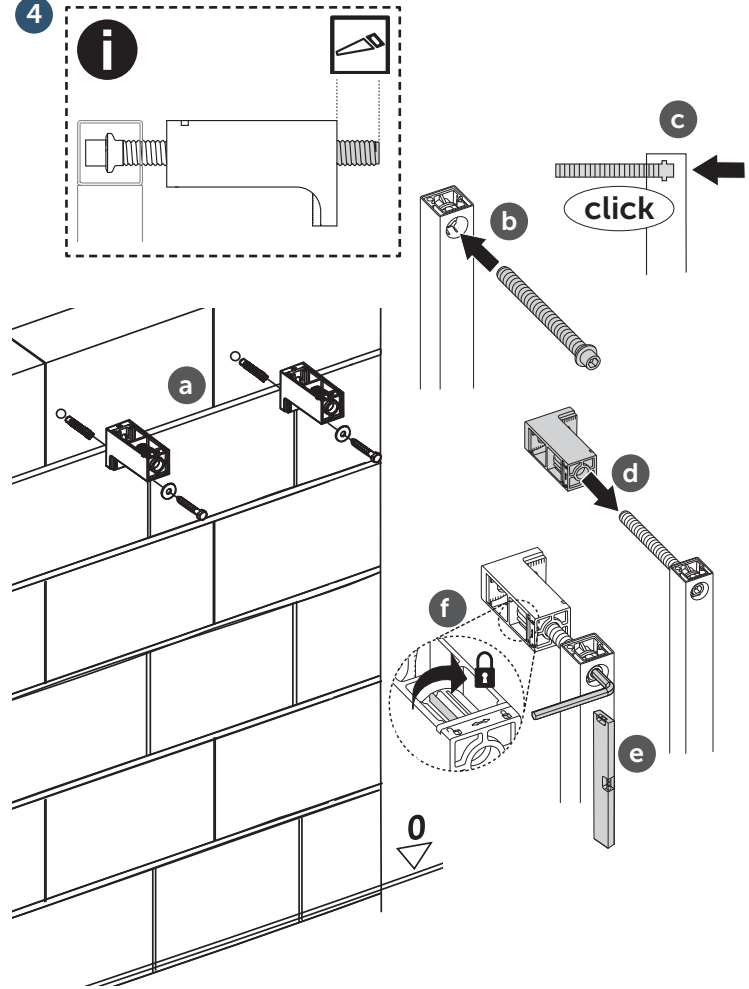
2



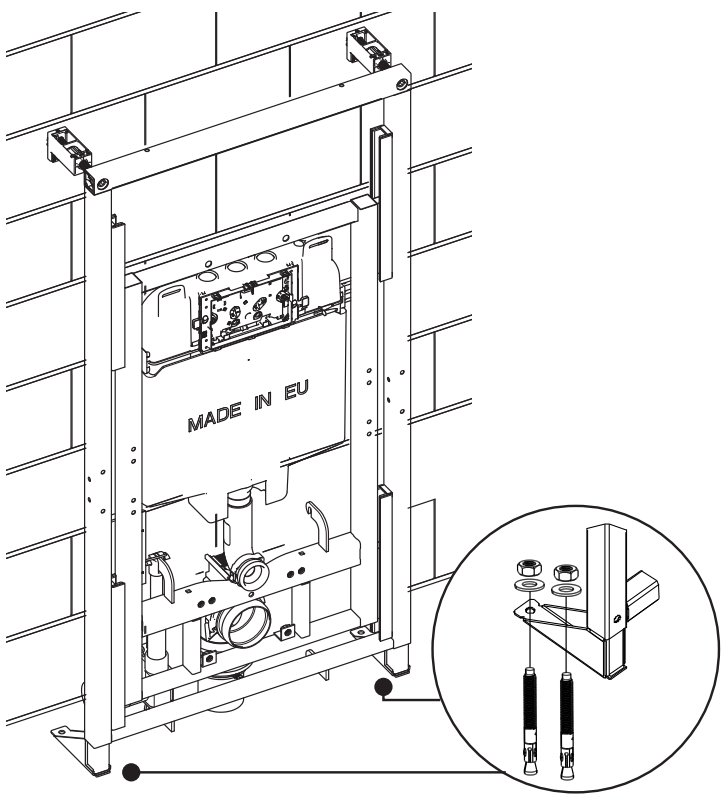
3



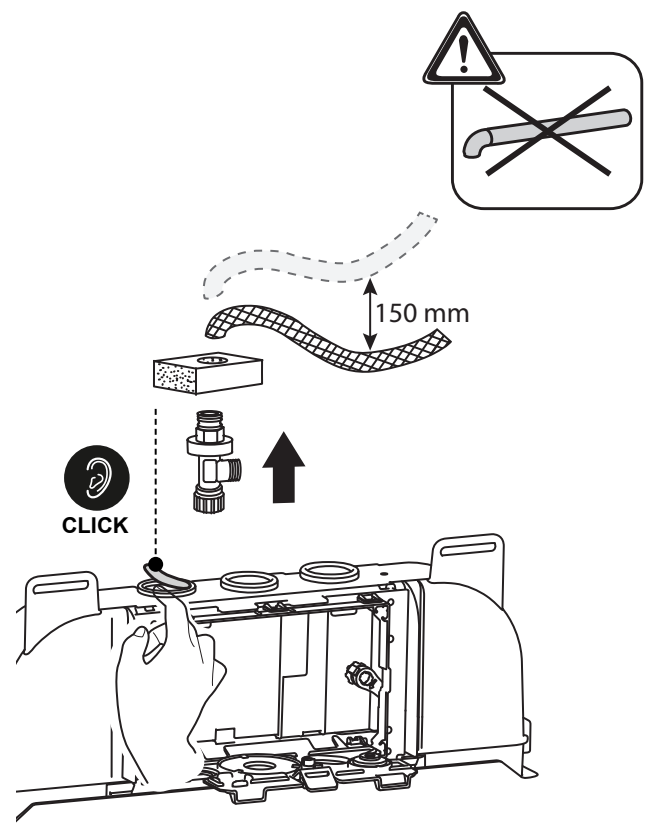
4



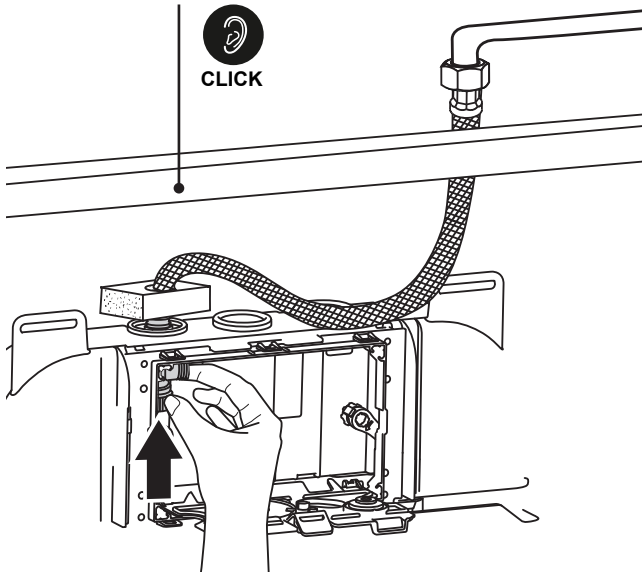
5



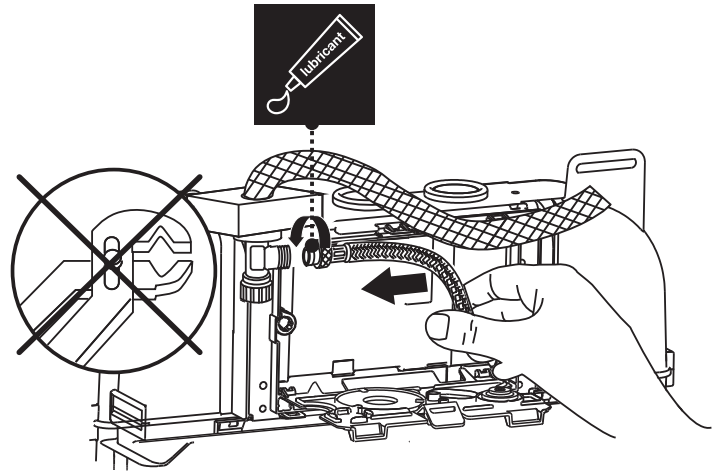
6



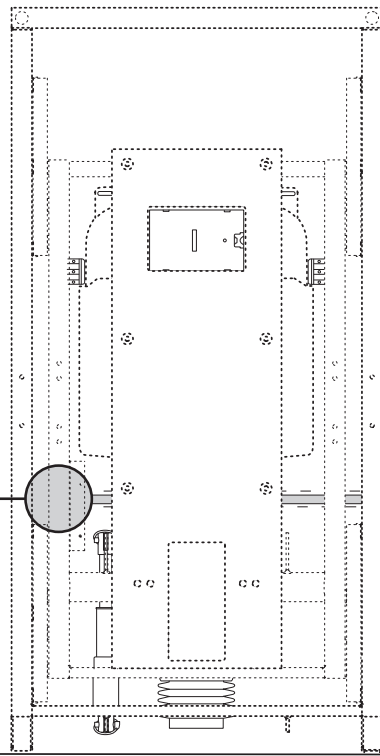
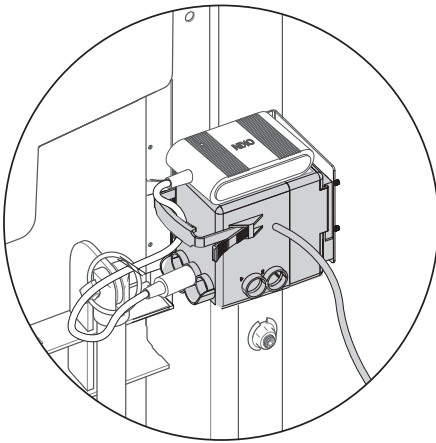
7



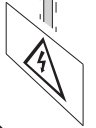
8



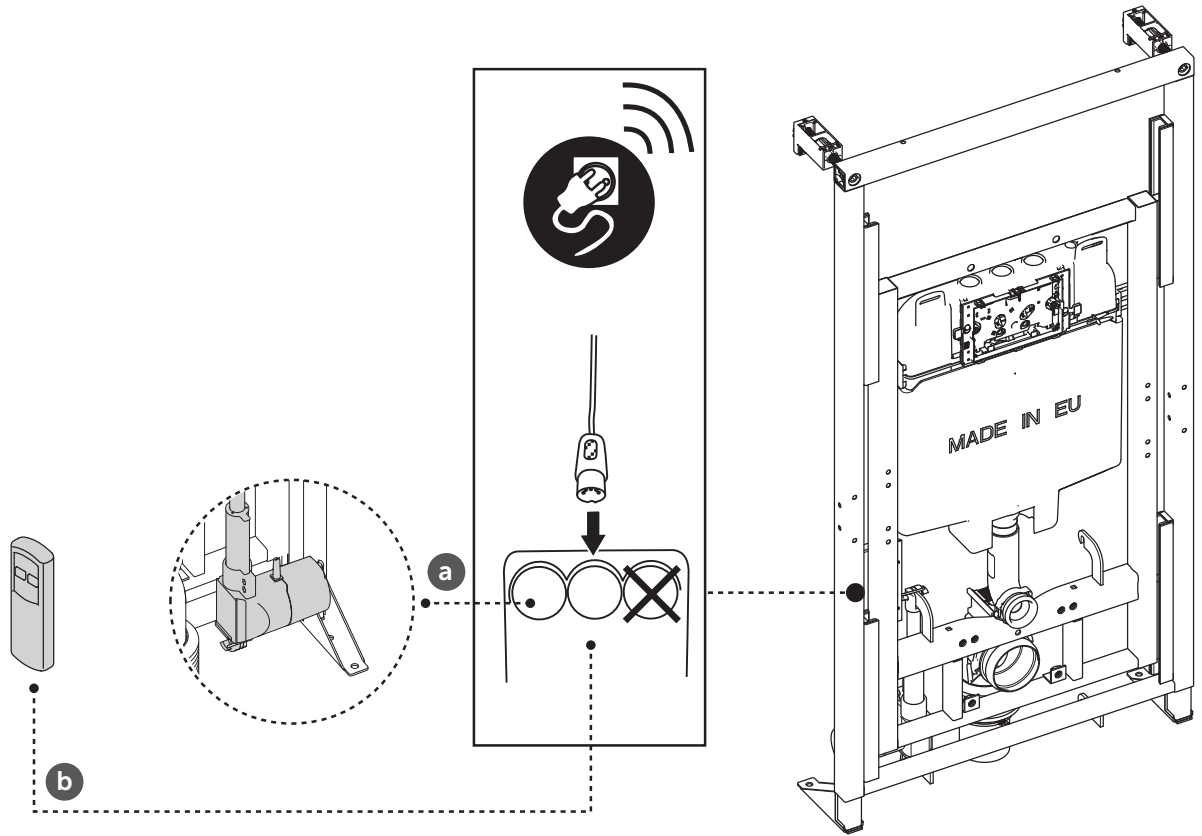
i



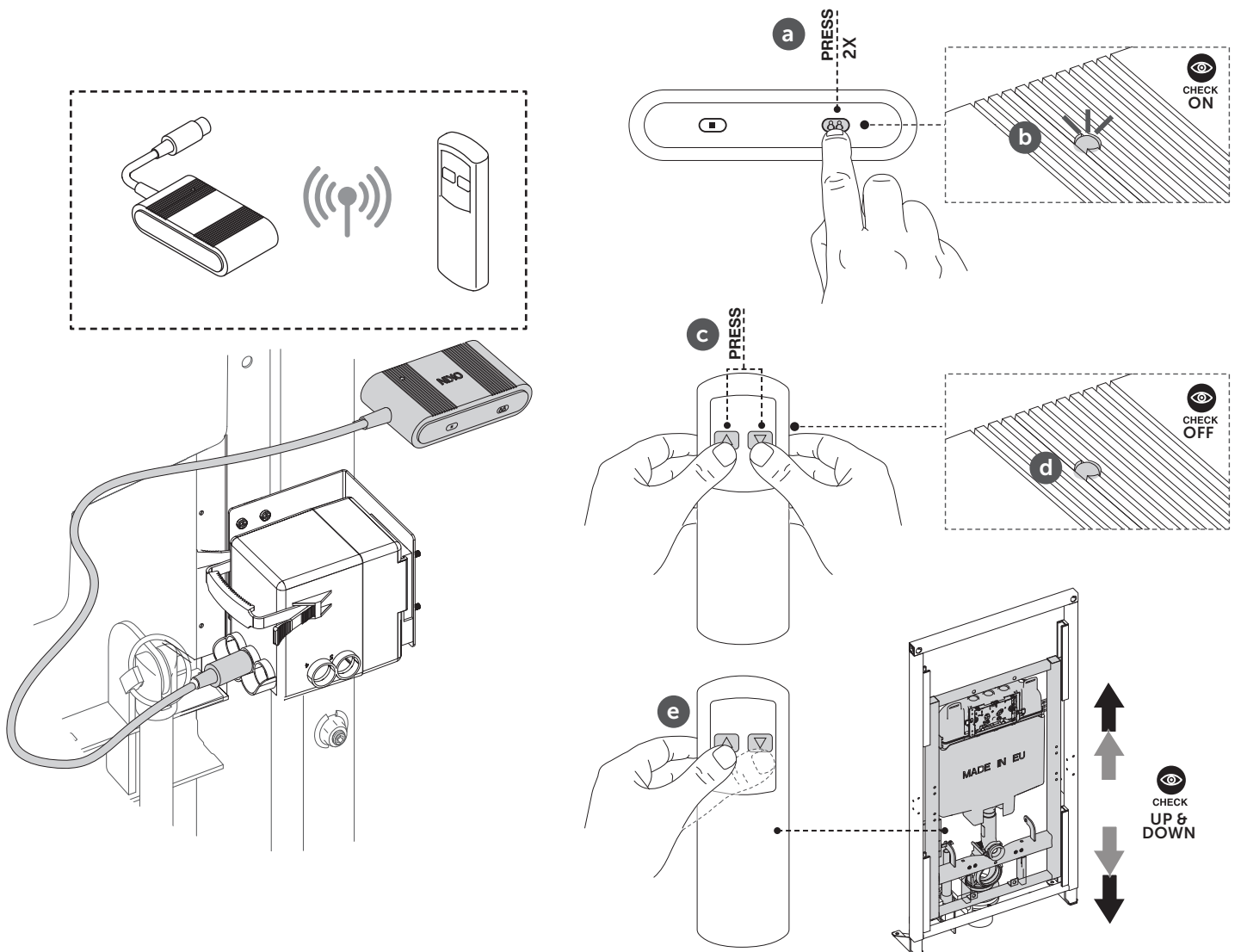
POWER ON
max 3900mm



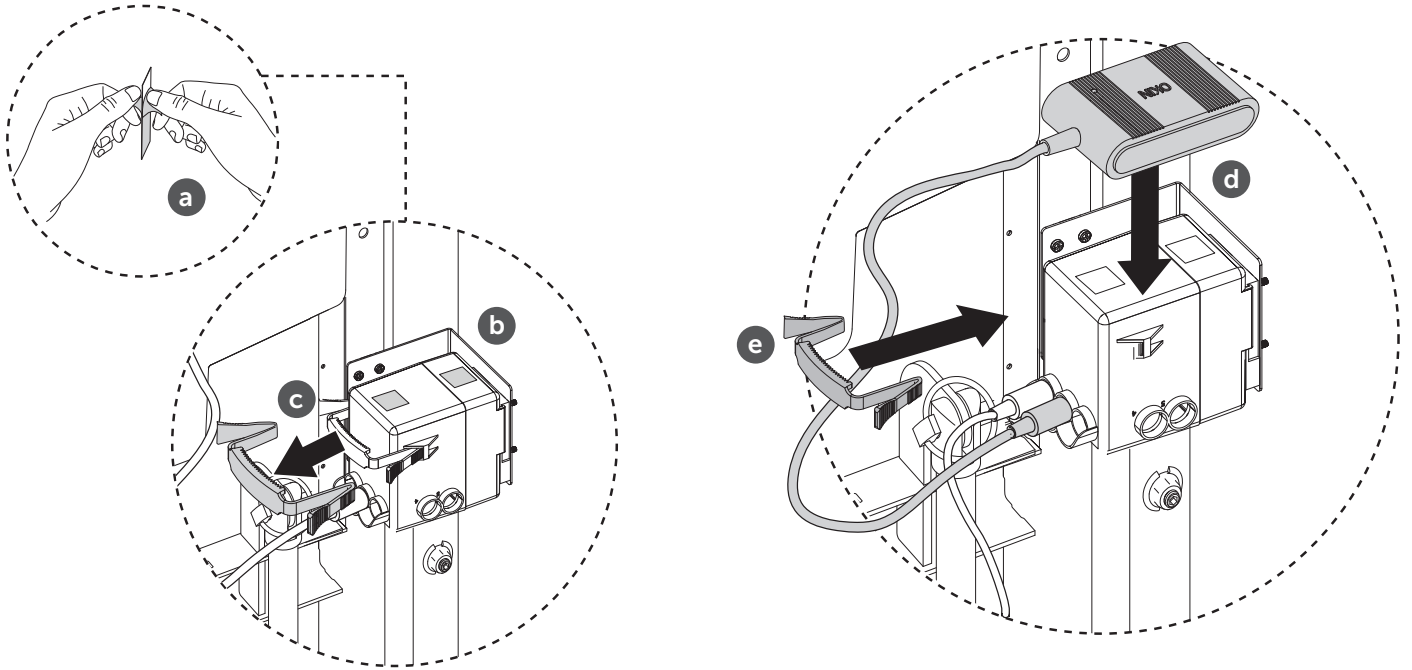
9



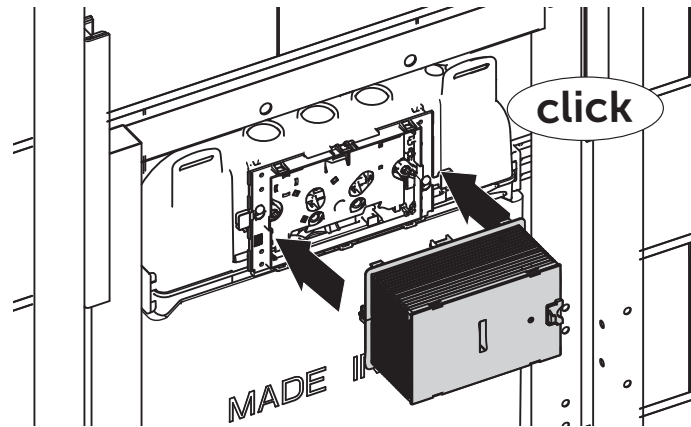
10



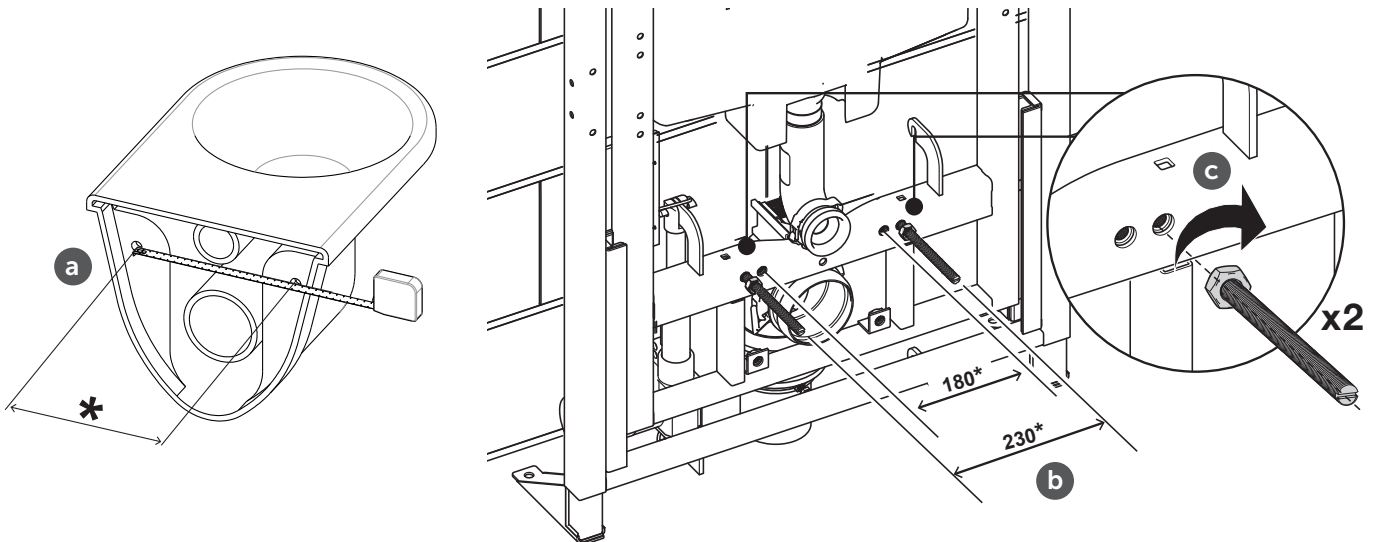
11



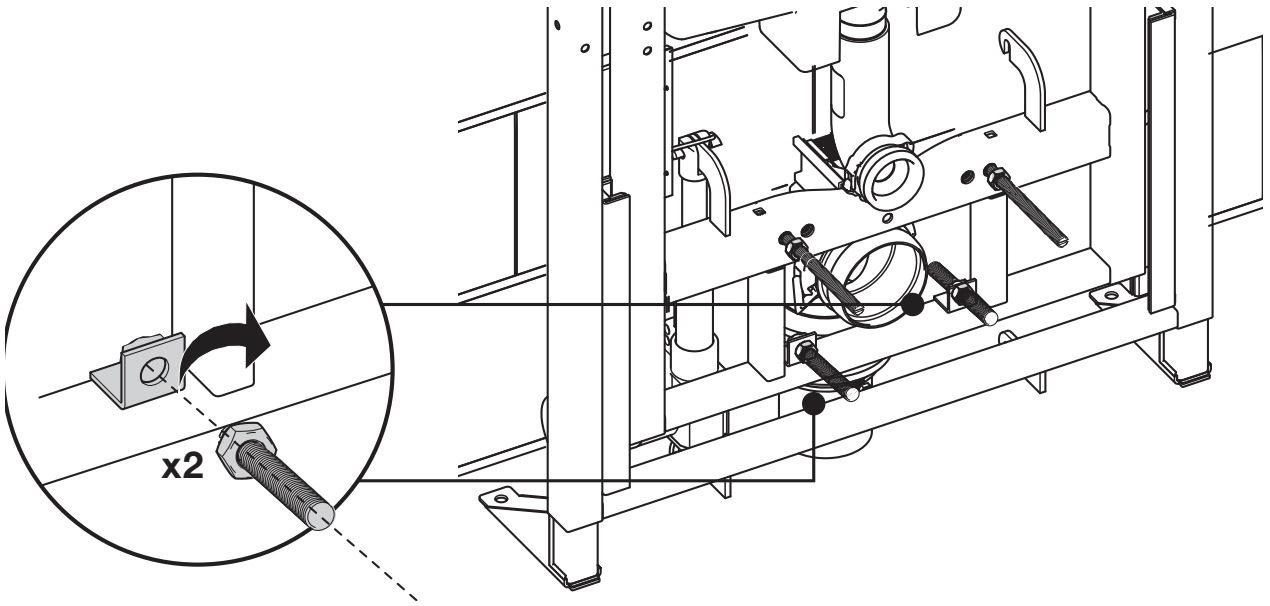
12



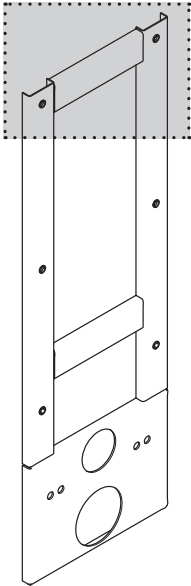
13



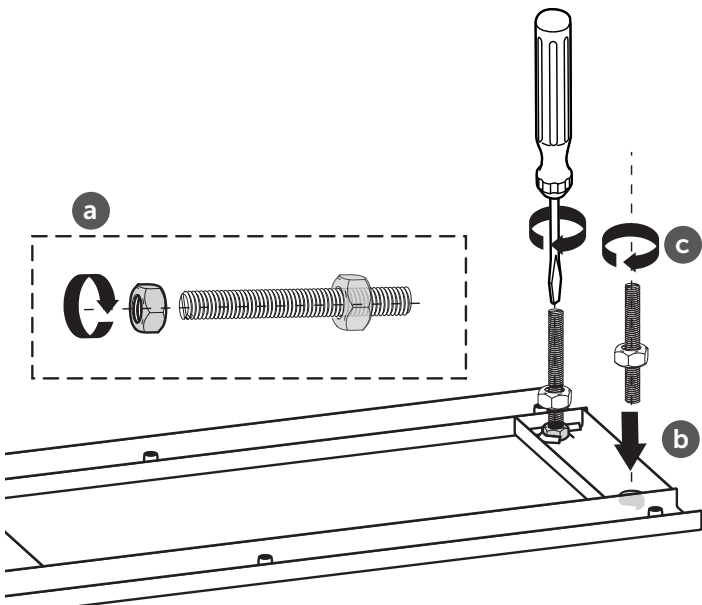
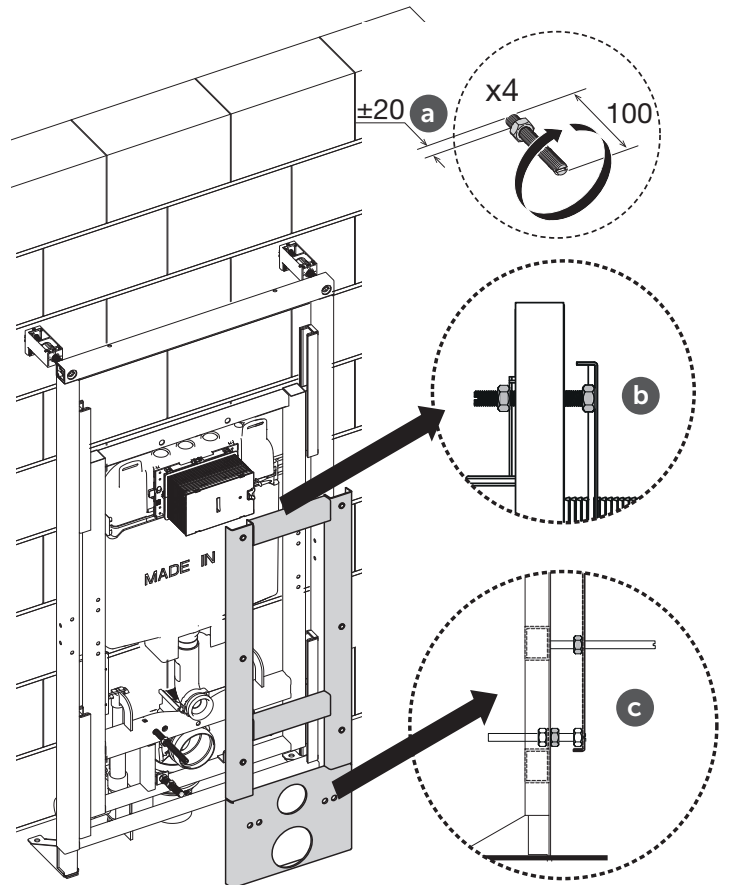
14



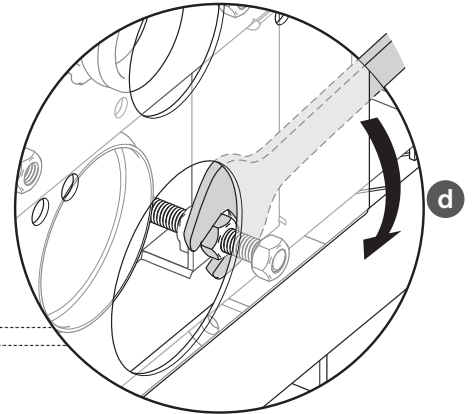
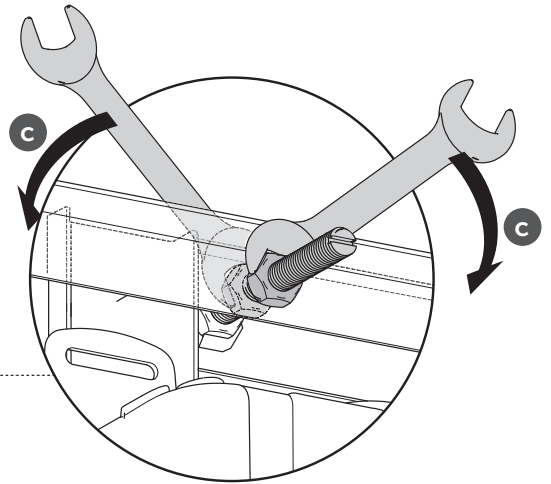
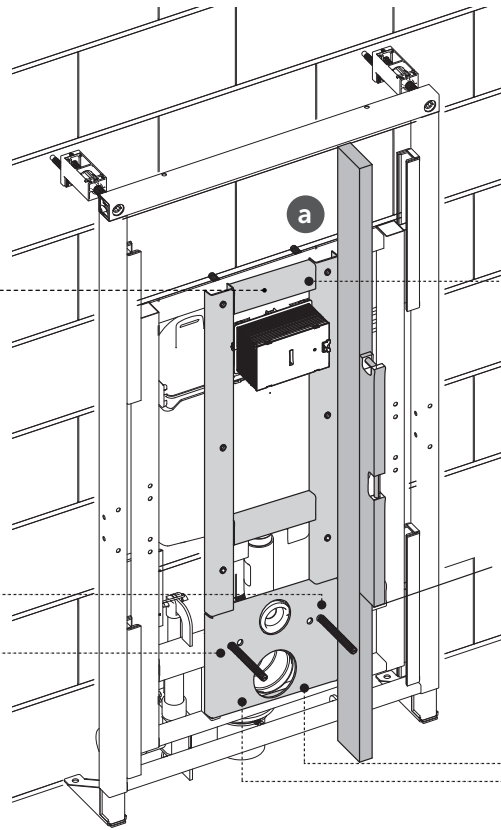
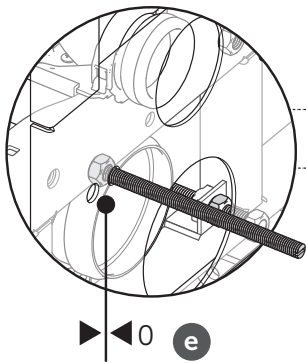
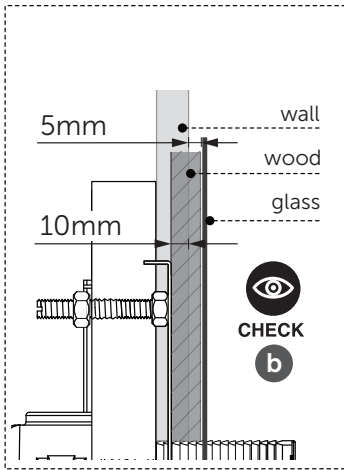
15



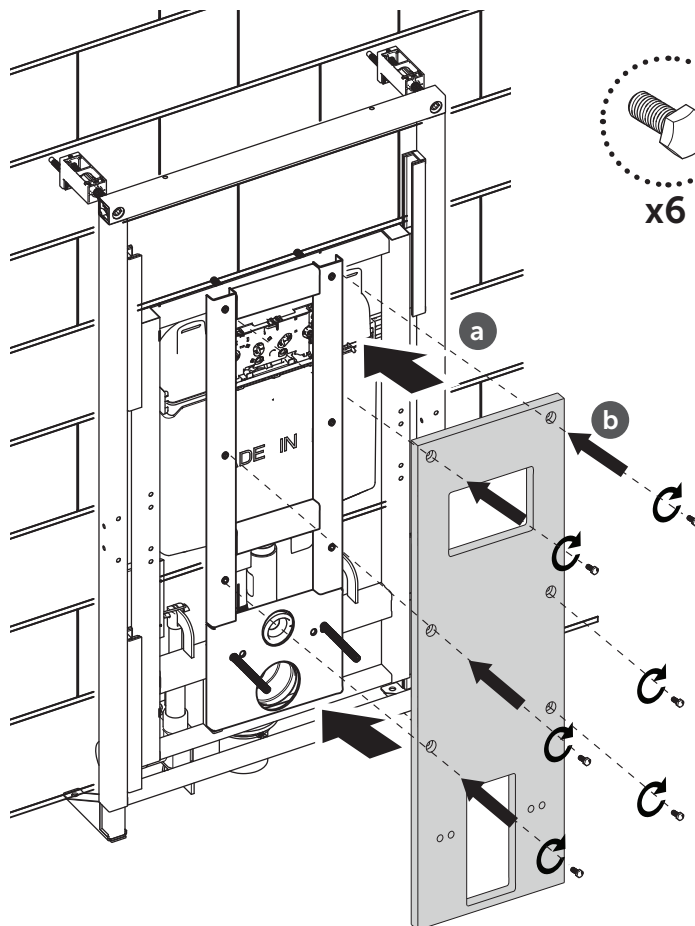
16.1



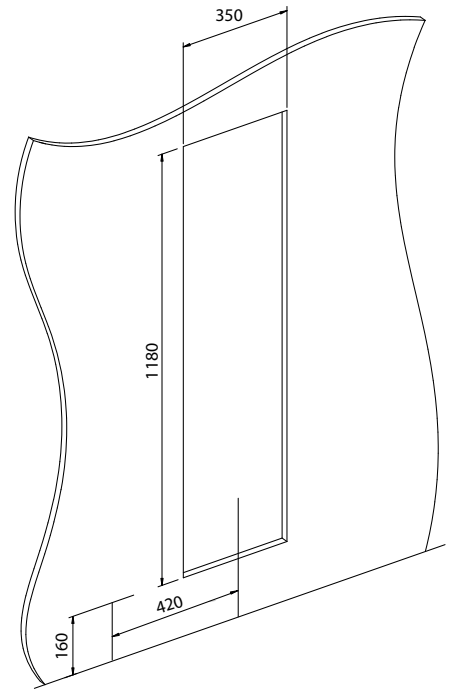
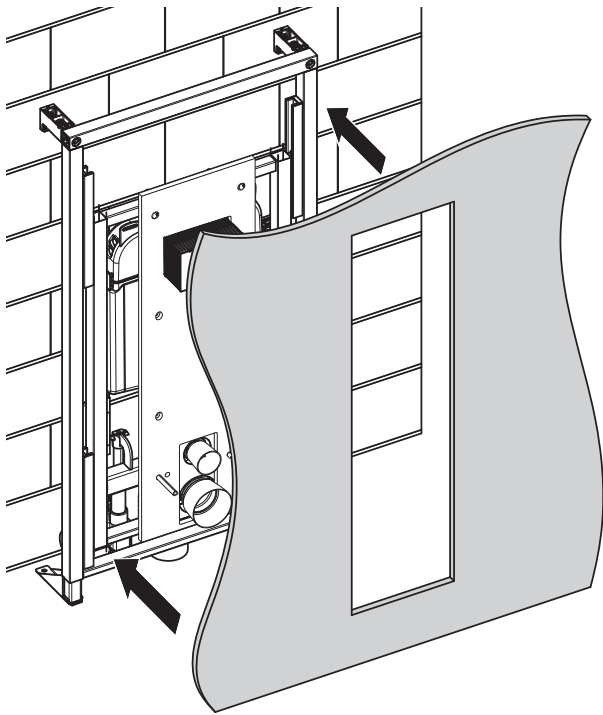
16.2



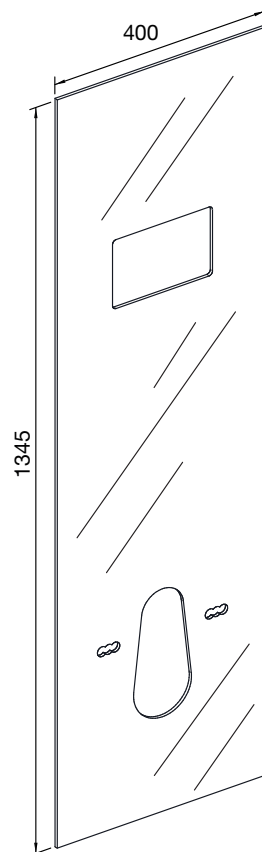
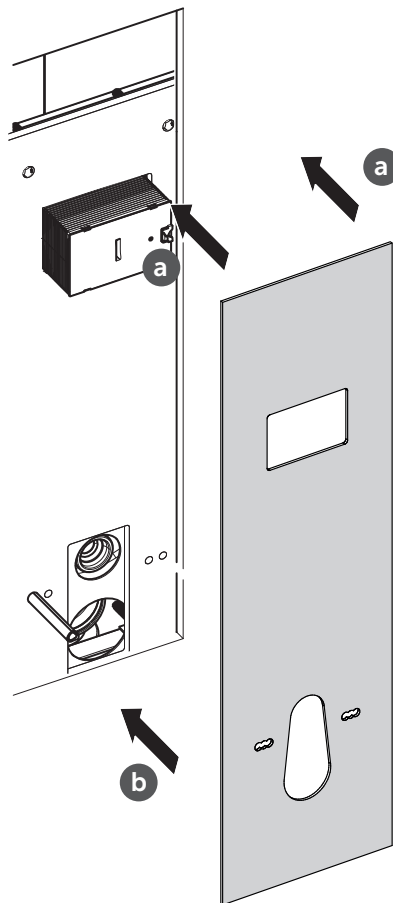
17

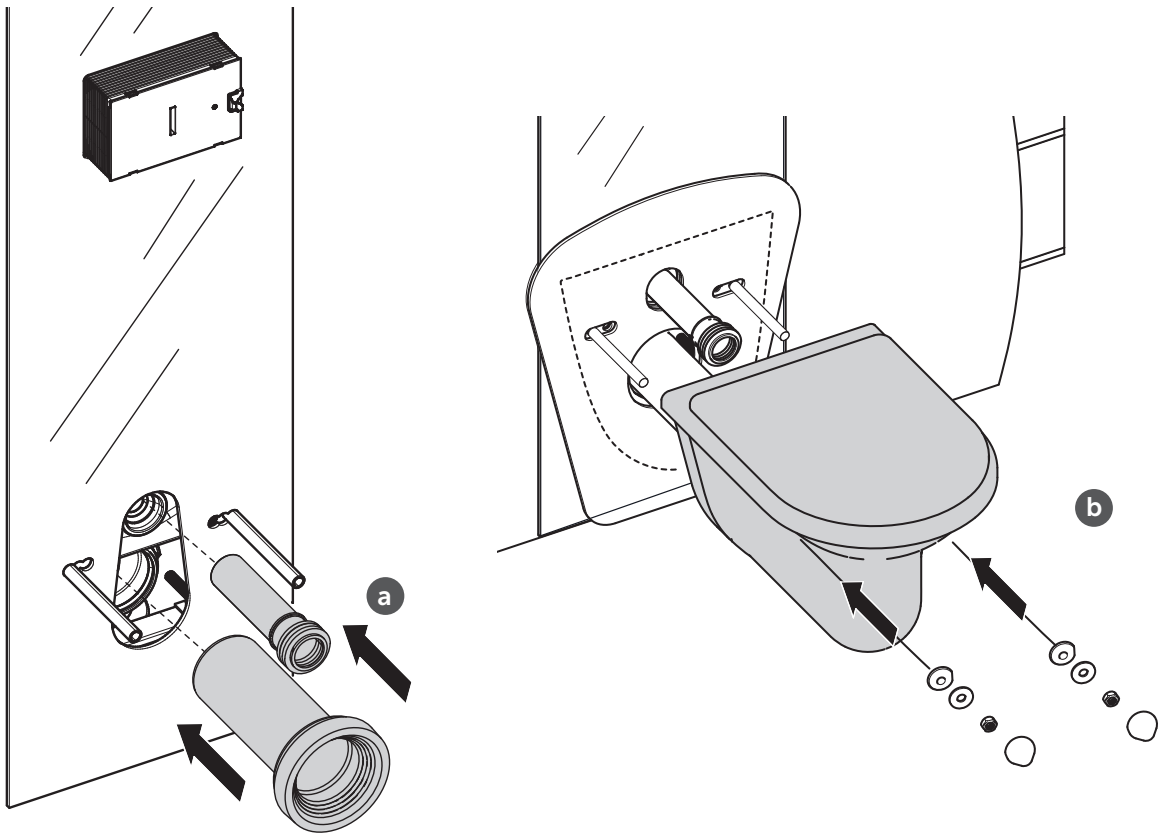


18

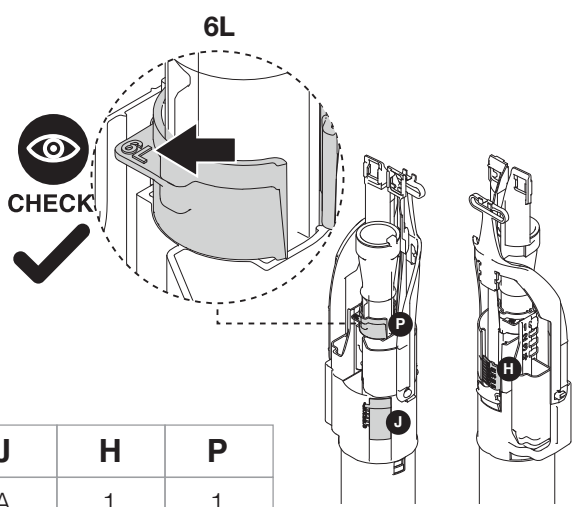



19

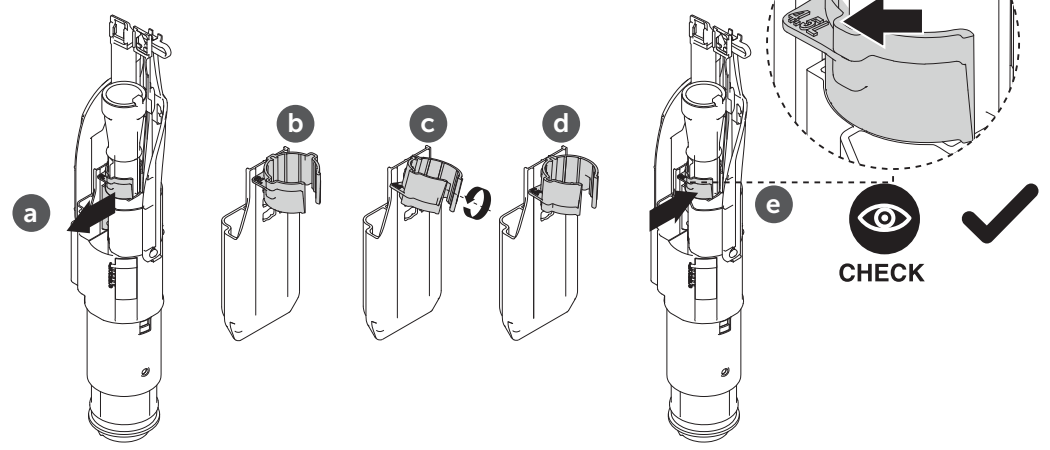


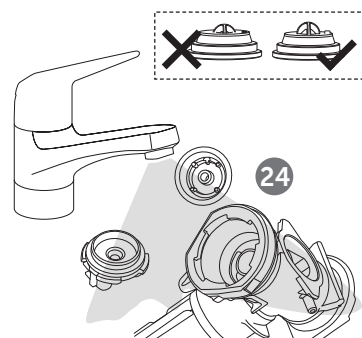
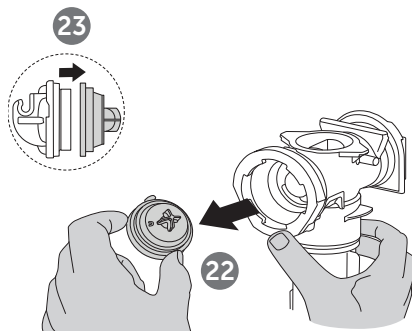
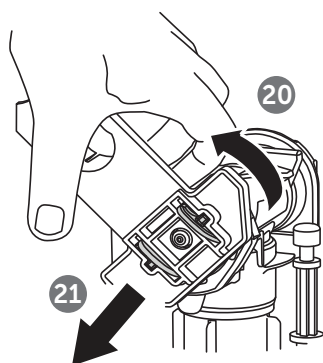
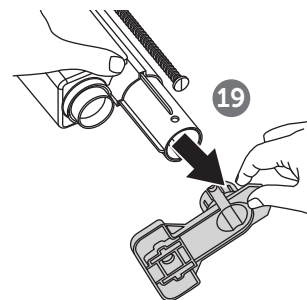
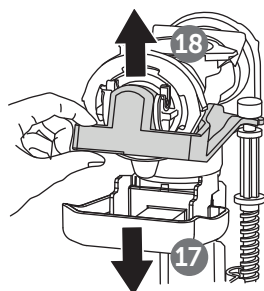
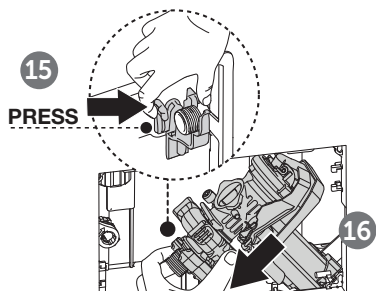
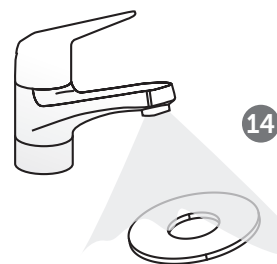
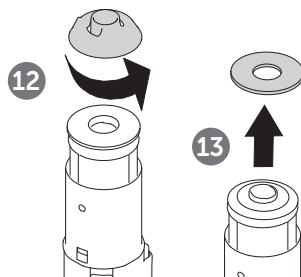
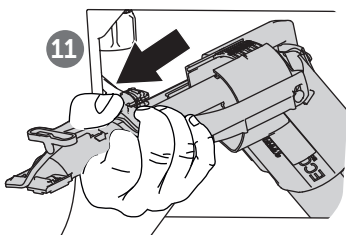
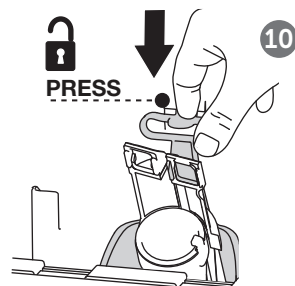
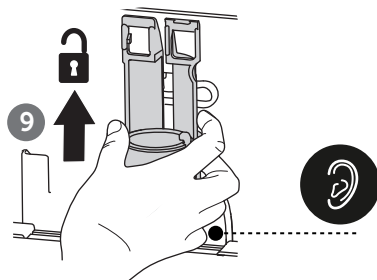
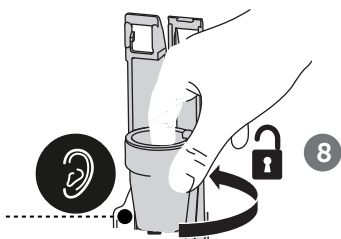
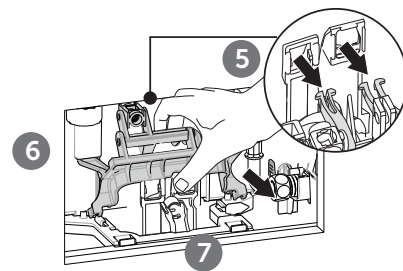
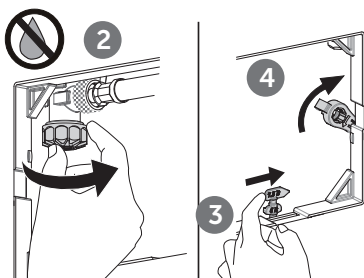
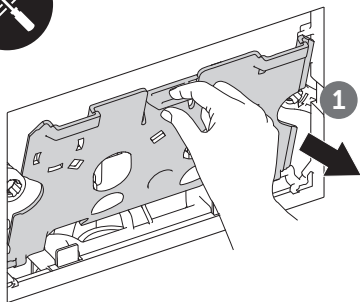


i



| | J | H | P |
|---|---|---|---|
| 6L | A | 1 | 1 |
| 4.5L  | A | 1 | 1 |







Batteries Disposal:

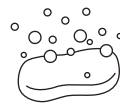
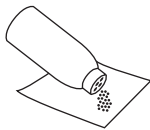
Batteries should not be disposed of in general household waste.

Observe the local waste disposal regulations, details of which can be obtained from your local authority.

All electrical and electronic equipment must be disposed of separately from general household waste using the sites designated by local authorities.

The appropriate disposal and separate collection of used equipment serve to prevent potential harm to the environment and to health. They are a precondition for the re-use and recycling of used electrical and electronic equipment.

For further information on disposing of your used equipment, please contact your local authority or your refuse collection service.



Ideal Standard International NV
Corporate Village – Gent Building
Da Vincilaan 2
B1935 – Zaventem
Belgium

BE +32 (0)2 325 66 33
BG +359 675 30362
DE +49 (0)228 521 580
EG +202 26969700
FR +33 (0)1 49 38 28 00
GB 01482 496 318
GR +30 210 67 90 810
HR +38591 22 99 304

HU +36 30 6991 594
IT 800 652 290
ME +971 4 804 2400
NL +31 (0)77 355 08 08
PL +48 71 7868 301/302
RO +40 21 3223 201/202
SI 00386 59 919040
TR +90 216 314 87 87

UA +359 675 30 468
AL/XK/BA +359 887 709 696
CZ/SK +420 417 592 179
DK/NO/SE +45 75 84 10 10
ES/PT +34 93 561 80 00
LV/LT/EE +371 673 57 792
RS/MK/ME +381 11 713 80 58
RU/MD +7 495 669 23 11

