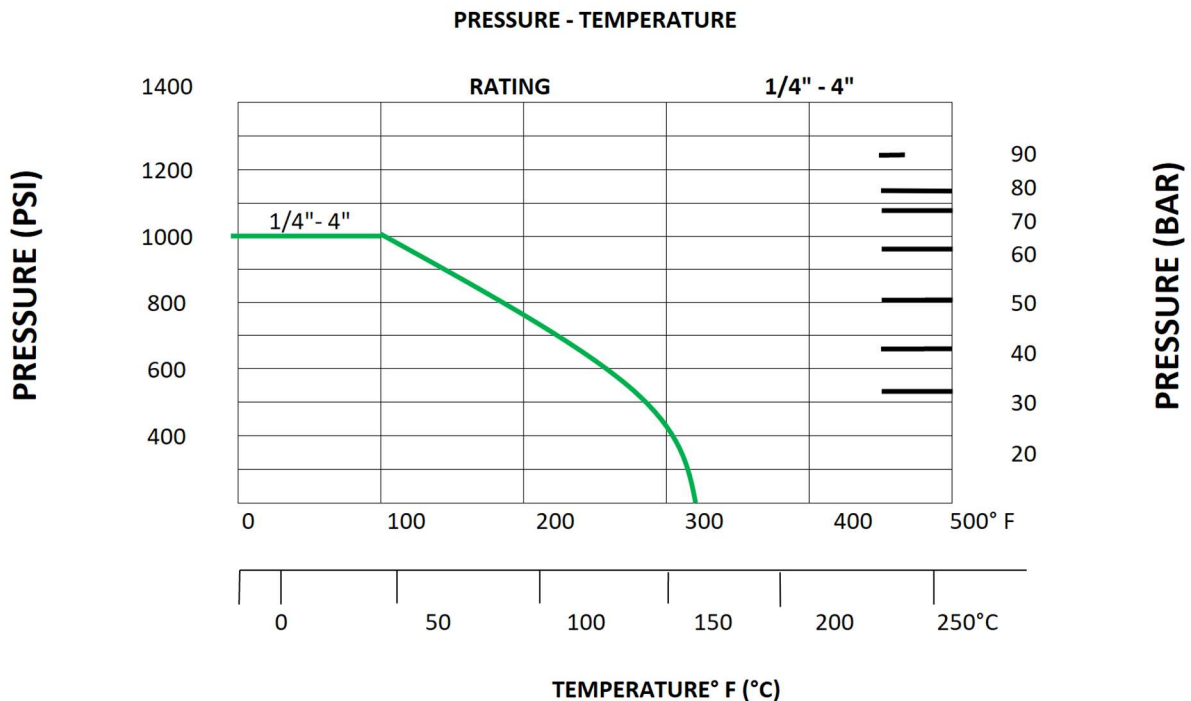


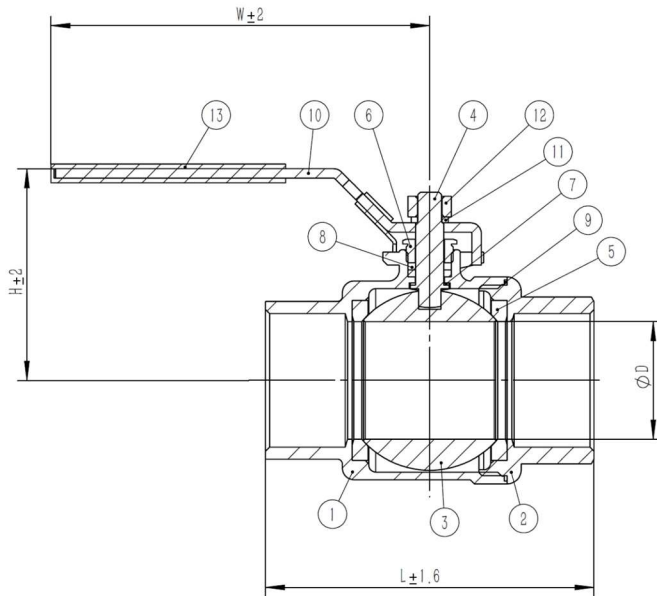
**Data Sheet Gebo G316**  
**Kugelhahn aus Edelstahl / Stainless steel ball valve**

**Code 604**

- Kugelhahn 2-teilig
  - Voller Durchgang
  - DIN 3202 M3
  - Mit Innengewinde und Schließblasche
  - Ausblasseichere Spindel
  - Feinguss Gehäuse
  - Max. Druckstufe PN 63
- 
- 2 Pc. Ball valve
  - Full bore
  - DIN 3202 M3
  - With female thread and lock handle
  - Blow-out proof stem
  - Investment casting body
  - Max. pressure stage PN 63



**Data Sheet Gebo G316/Code 604**



| No | Einzelteil          | Part          | qty | Material       |
|----|---------------------|---------------|-----|----------------|
| 1  | Gehäuse             | Body          | 1   | ASTM-CFM8-A351 |
| 2  | Abdeckung           | Cap           | 1   | ASTM-CFM8-A351 |
| 3  | Kugel               | Ball          | 1   | ASTM-CFM8-A351 |
| 4  | Spindel             | Stem          | 1   | AISI 316       |
| 5  | Kugeldichtung       | Ball seat     | 2   | PTFE           |
| 6  | Unterlegscheibe     | Thrust washer | 1   | PTFE           |
| 7  | Buchse              | Gland nut     | 1   | AISI 304       |
| 8  | Spindeldichtung     | Stem packing  | 2   | PTFE           |
| 9  | Dichtung            | Joint gasket  | 1   | PTFE           |
| 10 | Griff               | Handle        | 1   | AISI 304       |
| 11 | Spindelscheibe      | Stem washer   | 1   | AISI 304       |
| 12 | Spindelbuchse       | Stem nut      | 1   | AISI 304       |
| 13 | Kunststoffabdeckung | Plastic cover | 1   | PLASTIC        |

| Size   | Art.No. | D    | L     | H     | W     | kg    |
|--------|---------|------|-------|-------|-------|-------|
|        |         | mm   |       |       |       |       |
| 1/4"   | 604-014 | 11,6 | 55,0  | 51,0  | 95,0  | 0,220 |
| 3/8"   | 604-038 | 12,7 | 60,0  | 51,0  | 95,0  | 0,200 |
| 1/2"   | 604-012 | 15,0 | 75,0  | 53,0  | 95,0  | 0,300 |
| 3/4"   | 604-034 | 20,0 | 80,0  | 59,0  | 110,0 | 0,460 |
| 1"     | 604-100 | 25,0 | 90,0  | 73,0  | 135,0 | 0,720 |
| 1 1/4" | 604-114 | 32,0 | 110,0 | 78,0  | 135,0 | 1,180 |
| 1 1/2" | 604-112 | 38,0 | 120,0 | 91,0  | 147,0 | 1,820 |
| 2"     | 604-200 | 50,0 | 140,0 | 99,0  | 165,0 | 2,820 |
| 2 1/2" | 604-212 | 65,0 | 185,0 | 130,0 | 215,0 | 5,580 |
| 3"     | 604-300 | 80,0 | 205,0 | 142,0 | 215,0 | 9,240 |