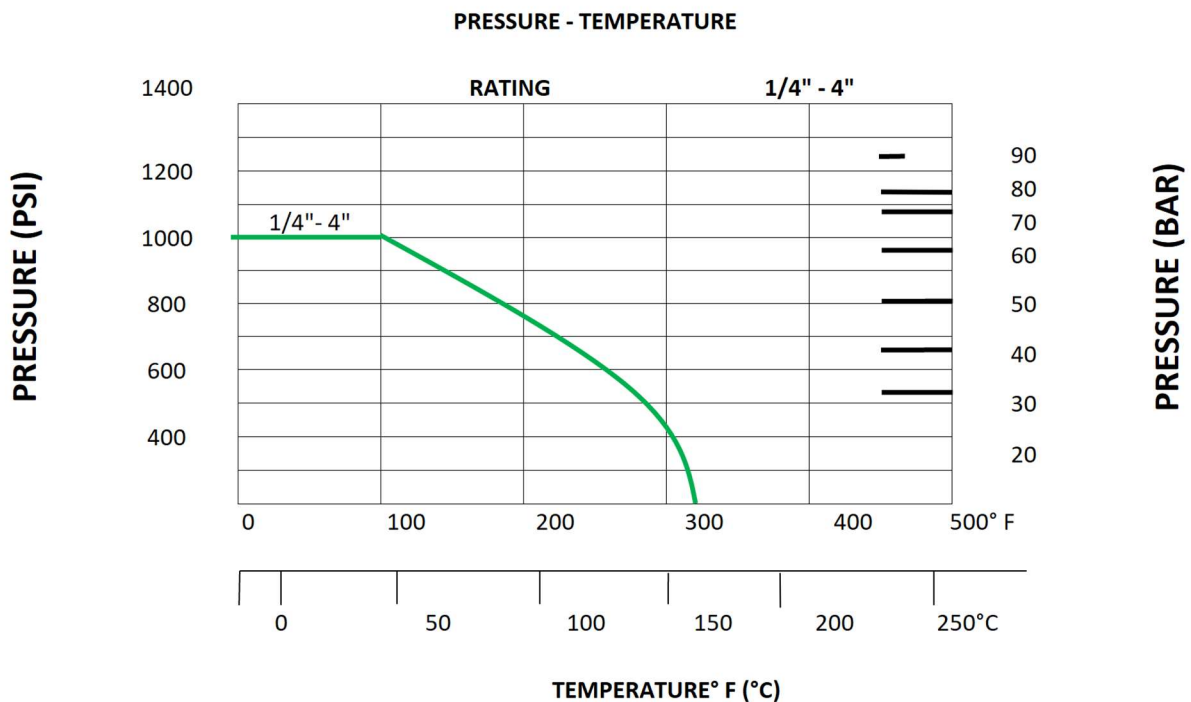


Data Sheet Gebo G316
Kugelhahn aus Edelstahl / Stainless steel ball valve

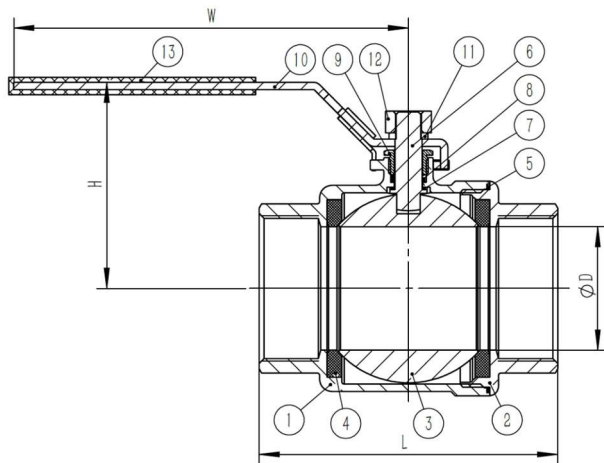
Code 605

- ECO Kugelhahn 2-teilig
- Voller Durchgang
- Mit Innengewinde und Schließlasche
- Ausblassichere Spindel
- Feinguss Gehäuse
- Max. Druckstufe PN 63

- 2 Pc. ECO Ball valve
- Full bore
- With female thread and lock handle
- Blow-out proof stem
- Investment casting body
- Max. pressure stage PN 63



Data Sheet Gebo G316/Code 605



No	Einzelteil	Parts	qty	Material
1	Gehäuse	Body	1	ASTM - A351 - CF8M
2	Abdeckung	Cap	1	ASTM - A351 - CF8M
3	Kugel	Ball	1	ASTM - A351 - CF8M
4	Kugeldichtung	Ball seat	2	PTFE
5	Dichtung	Joint gasket	1	PTFE
6	Spindel	Stem	1	AISI 316
7	Unterlegscheibe	Thrust washer	1	PTFE
8	Spindeldichtung	Stem packing	1	PTFE
9	Buchse	Gland nut	1	AISI 304
10	Griff	Handle	1	AISI 304
11	Spindelscheibe	Stem washer	1	AISI 304
12	Spindelbuchse	Stem nut	1	AISI 304
13	Kunststoffabdeckung	Plastic cover	1	PLASTIC

Size	Art.No.	mm				kg
		L	D	H	W	
1/4"	605-014	49,0	11,6	48,0	95,0	0,220
3/8"	605-038	49,0	12,7	48,0	95,0	0,200
1/2"	605-012	57,0	15,0	48,5	95,0	0,208
3/4"	605-034	65,0	20,0	54,5	108,0	0,319
1"	605-100	77,0	25,0	58,0	108,0	0,490
1 1/4"	605-114	90,0	32,0	70,5	130,0	0,792
1 1/2"	605-112	98,0	38,0	76,0	130,0	1,500
2"	605-200	121,0	50,0	83,5	165,0	2,057
2 1/2"	605-212	145,0	65,0	125,0	215,0	4,280
3"	605-300	166,0	80,0	136,0	215,0	6,400
4"	605-400	198,0	100,0	165,0	270,0	16,200