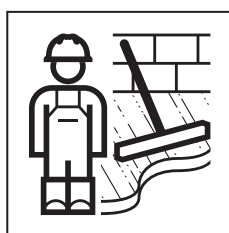
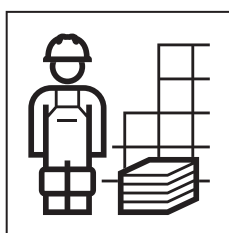


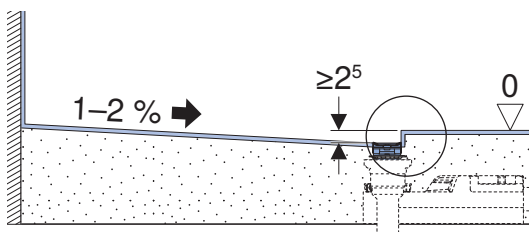
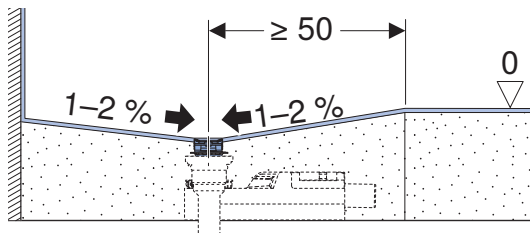
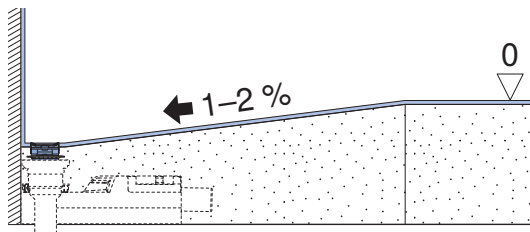
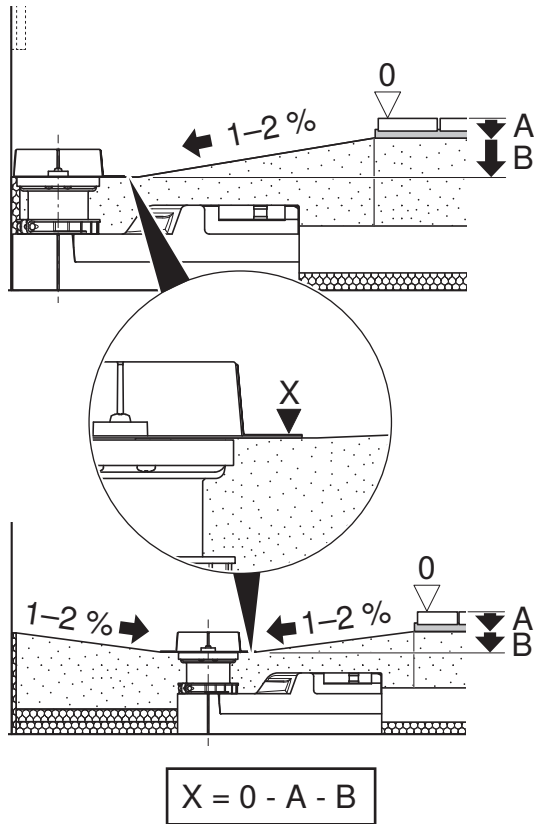
INSTALLATION MANUAL

MONTAGEANLEITUNG
INSTRUCTIONS DE MONTAGE
ISTRUZIONI PER IL MONTAGGIO

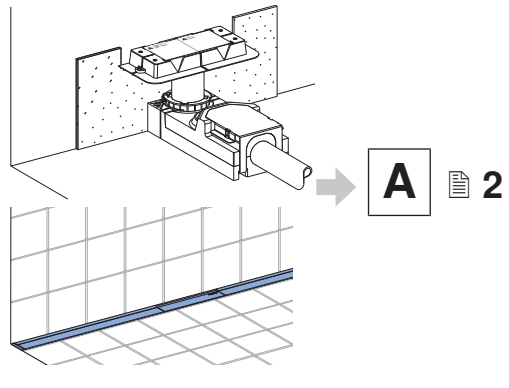


966.691.00.0(07)

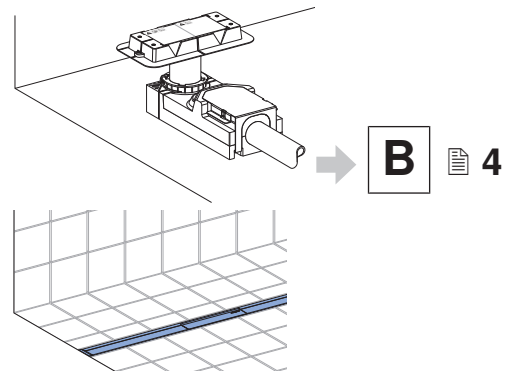




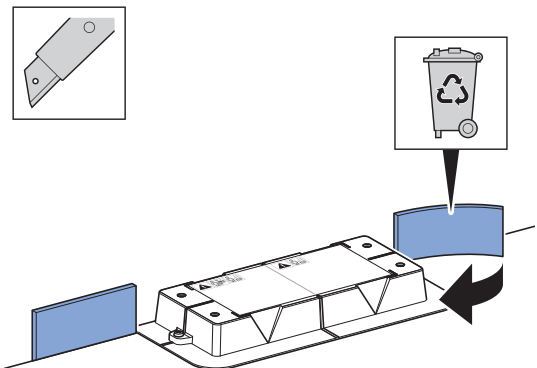
CleanLine20/60/80



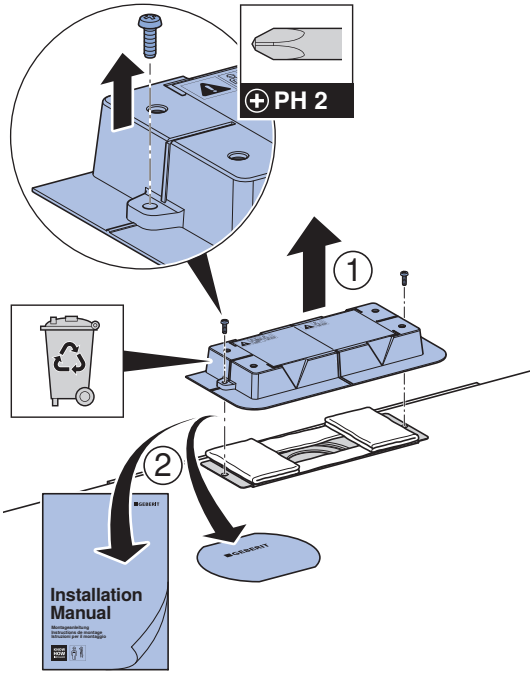
CleanLine20/60/80 CleanLine50



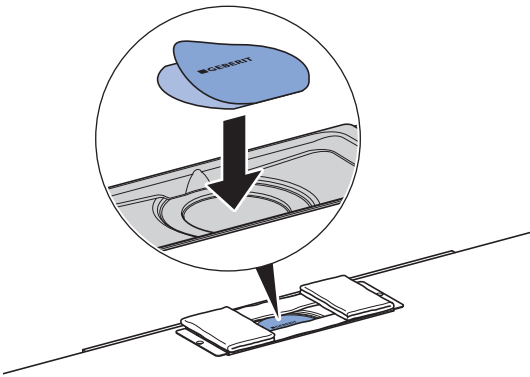
1



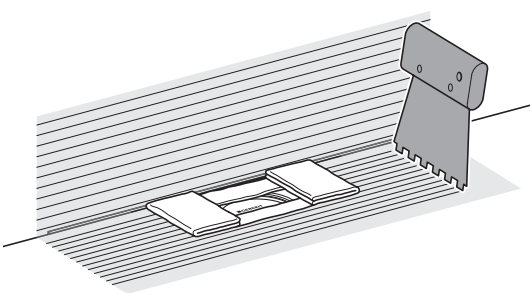
2



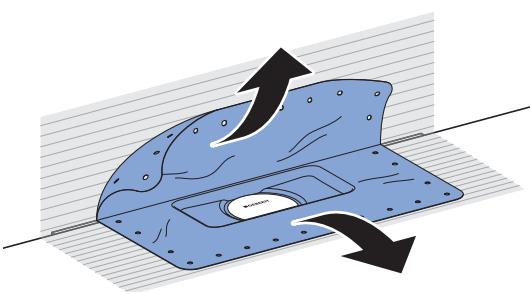
3



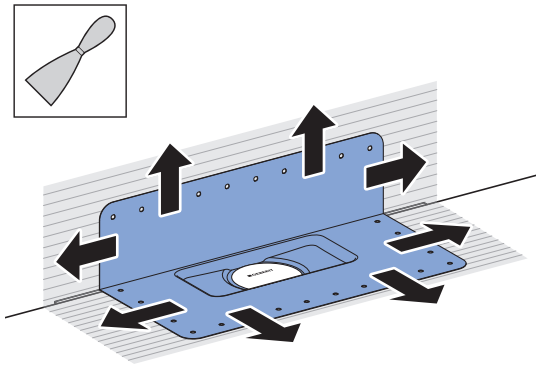
4



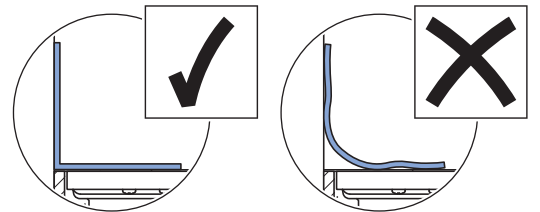
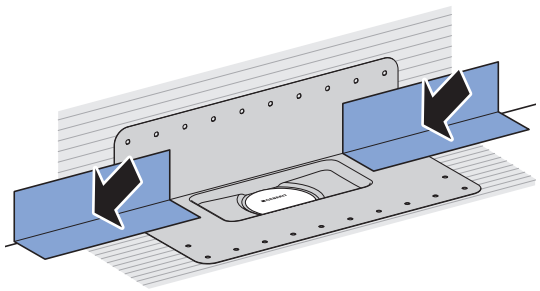
5



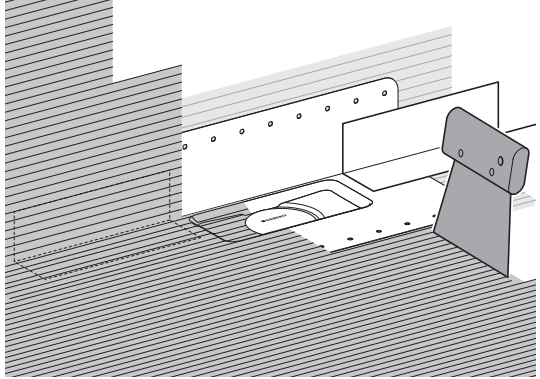
6



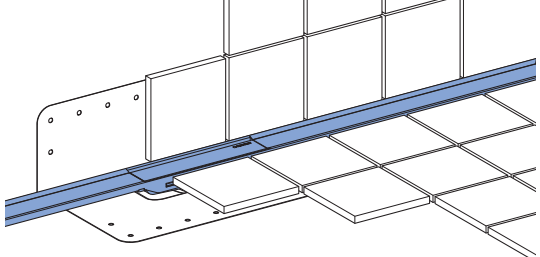
7



8



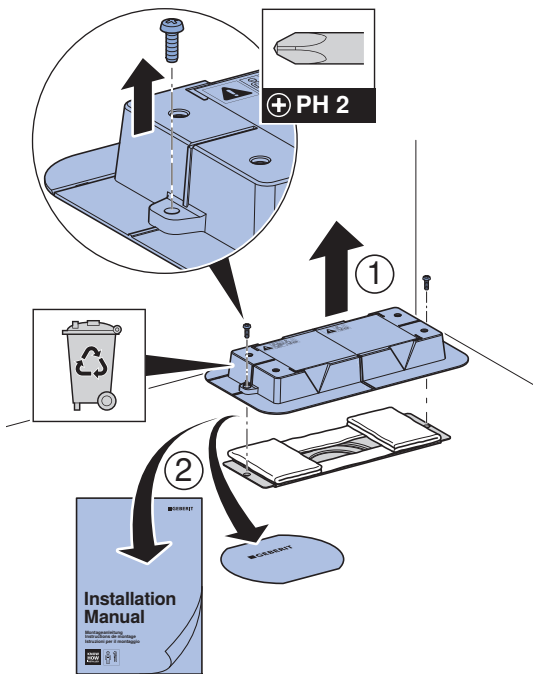
9



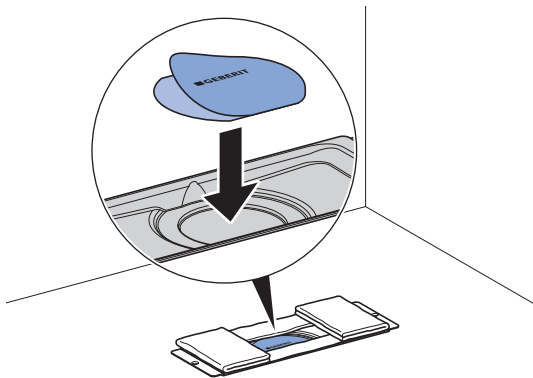
- CleanLine20
- CleanLine60
- CleanLine80

B

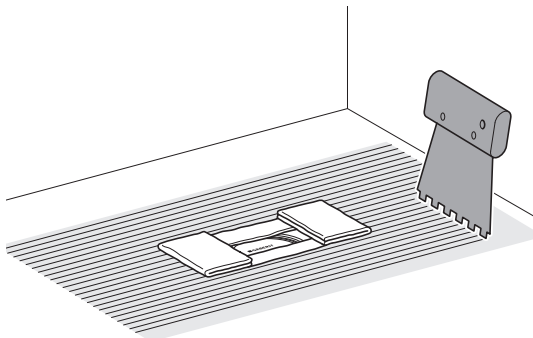
1



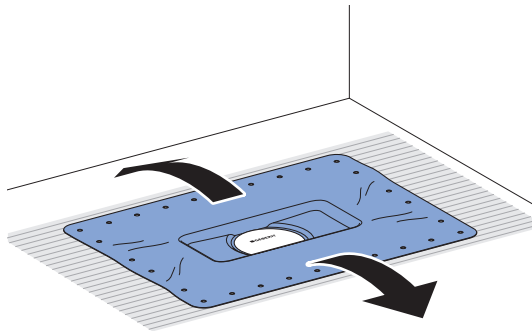
2



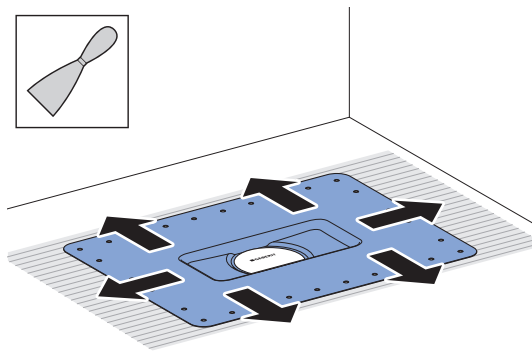
3



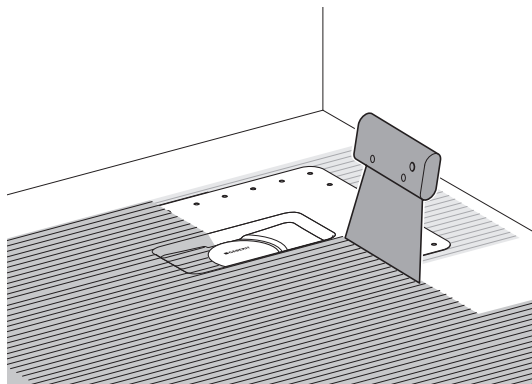
4



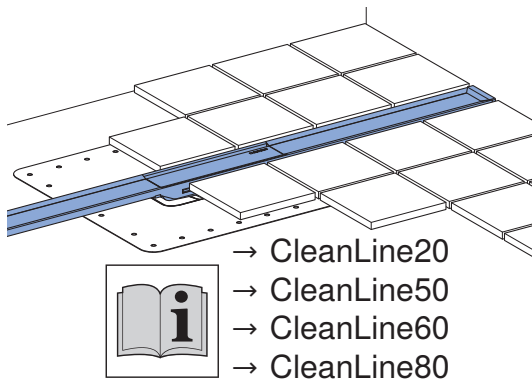
5



6



7



Geberit International AG
Schachenstrasse 77, CH-8645 Jona
documentation@geberit.com
www.geberit.com

