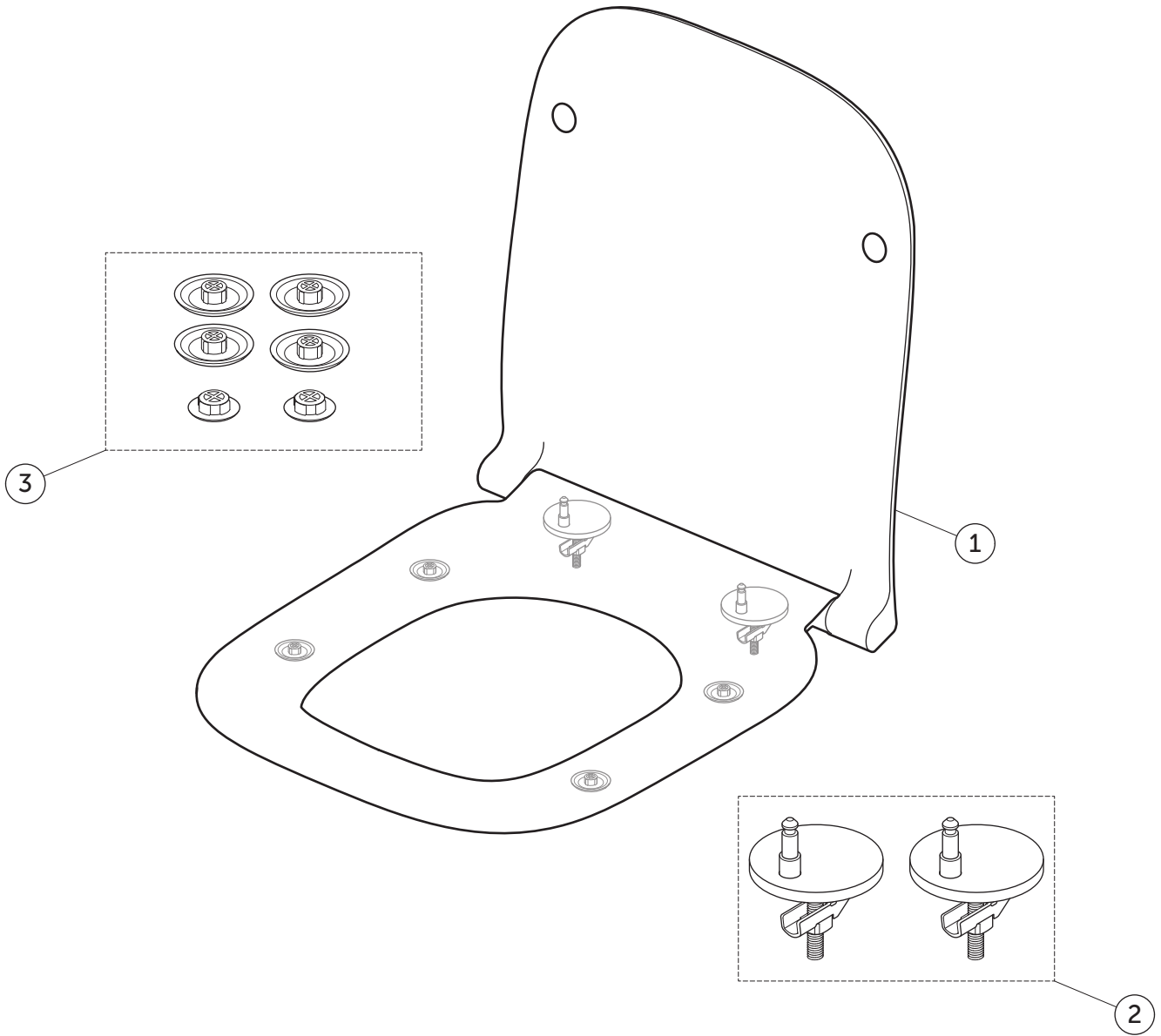


# SPARE PARTS

Seat & Cover  
Compact; SW; NC

T532801

I.LIFE S



Item	Description	Spare Code
1	SEAT & COVER COMPACT SW NC WHT	
2	TOILET SEAT HINGE PACK BS22	TV90067
3	TOILET SEAT BUFFERS 6 PCS BS0713 + S0712	EW02467

Ideal Standard International NV  
Corporate Village – Gent Building  
Da Vincilaan 2  
B1935 – Zaventem  
Belgium

BE +32 (0)2 325 66 33  
BG +359 675 30362  
DE +49 (0)228 521 580  
EG +202 26969700  
FR +33 (0)1 49 38 28 00  
GB 01482 496 318  
GR +30 210 67 90 810  
HR +38591 22 99 304

HU +36 30 6991 594  
IT 800 652 290  
ME +971 4 804 2400  
NL +31 (0)77 355 08 08  
PL +48 71 7868 301/302  
RO +40 21 3223 201/202  
SI 00386 59 919040  
TR +90 216 314 87 87

UA +359 675 30 468  
AL/XK/BA +359 887 709 696  
CZ/SK +420 417 592 179  
DK/NO/SE +45 75 84 10 10  
ES/PT +34 93 561 80 00  
LV/LT/EE +371 673 57 792  
RS/MK/ME +381 11 713 80 58  
RU/MD +7 495 669 23 11

