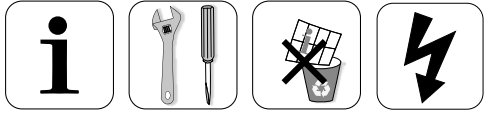


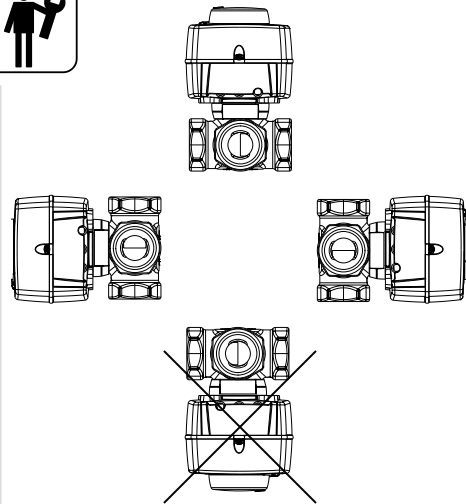
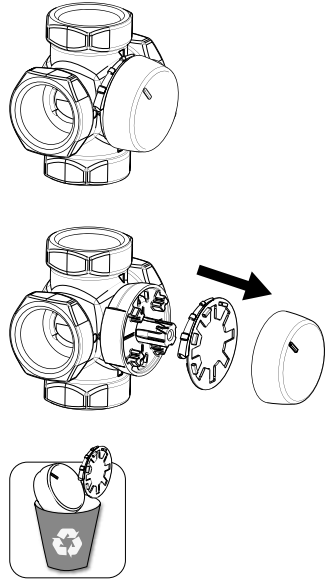
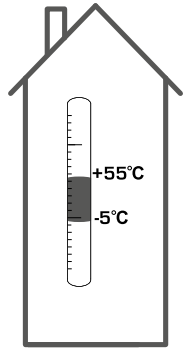
# ESBE SERIES ARA600 3-Point



Series ARA6x1  
Series ARA6x2  
Series ARA6x3  
Series ARA6x4

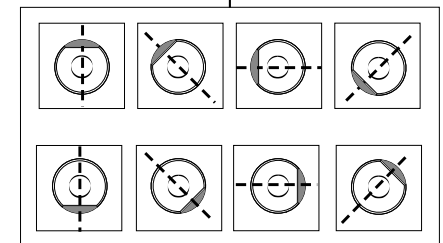
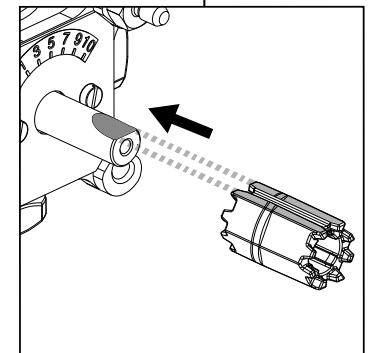
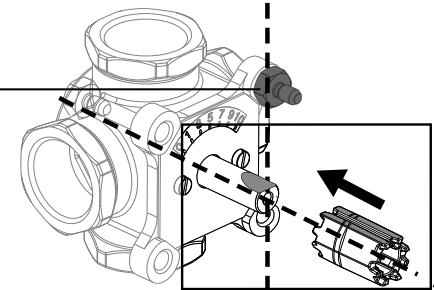
CE

LVD 2014/35/EU  
EMC 2014/30/EU  
RoHS 2011/65/EU



## Series MG, G, F, H, HG, BIV, T, TM

|  |            |  |
|--|------------|--|
|  | DN15-25    |  |
|  | DN20-40    |  |
|  | DN50       |  |
|  | DN20-25    |  |
|  | DN32-50    |  |
|  | H: DN25    |  |
|  | H: DN32-50 |  |
|  | HG: DN25   |  |
|  | DN20-22    |  |
|  | DN25       |  |
|  | T: DN20-32 |  |
|  | TM: DN20   |  |



VRG, VRB, VRH

3MG, 4MG



3G, 4G

3F, 4F ≤ DN50

3HG, 4HG, 3H, 4H



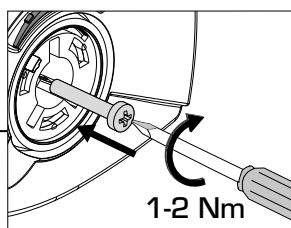
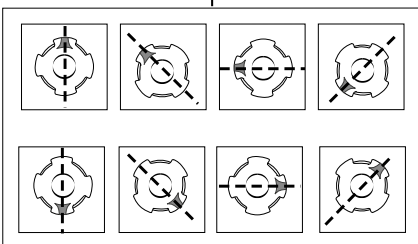
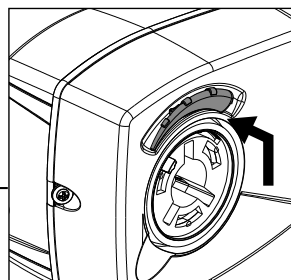
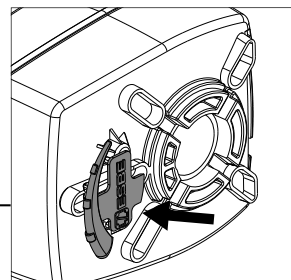
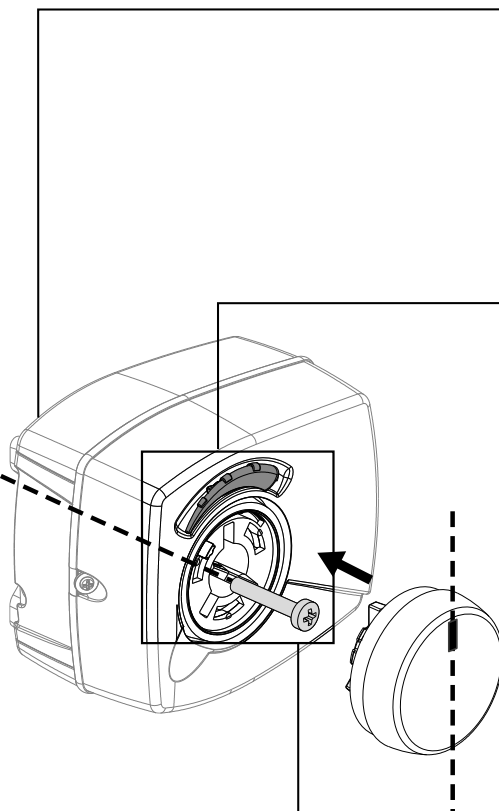
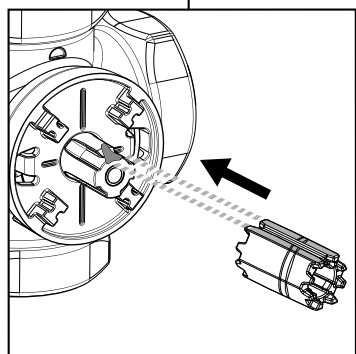
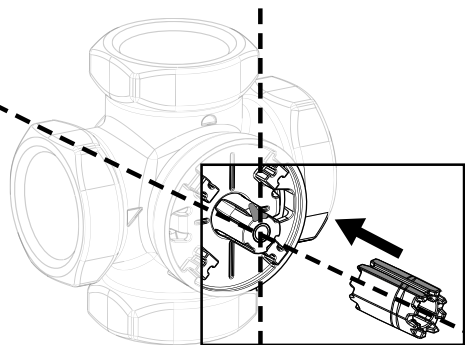
BIV

T, TM

VRC160

Series VRGxxx, VRBxxx, VRHxxx

Series VRCxxx



www.esbe.eu

Mtrl.n: 9814 02 75 • Ritr.n: 8081 Vers. I • Rev. 1909

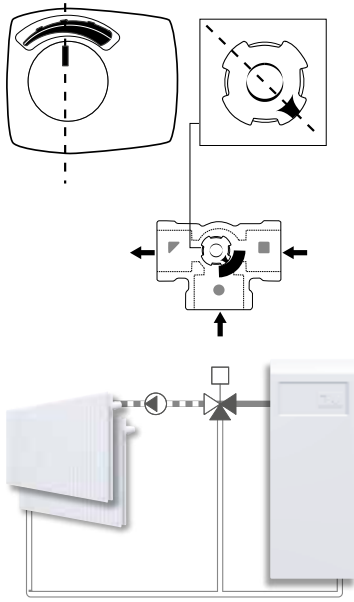


**SERIES ARA600 3-Point**

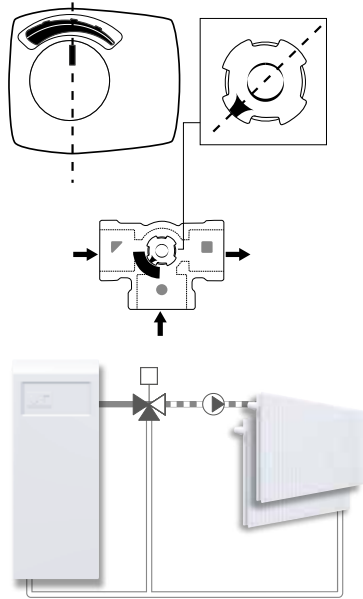


**SERIES VRG130**

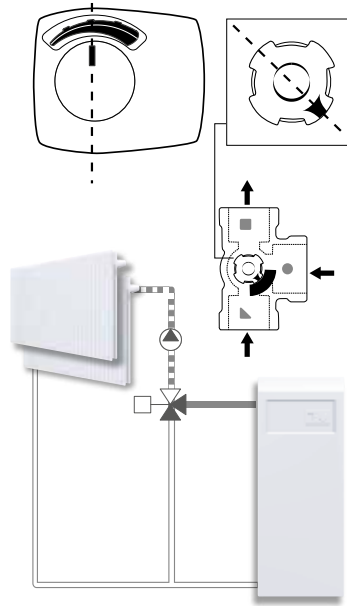
**a**



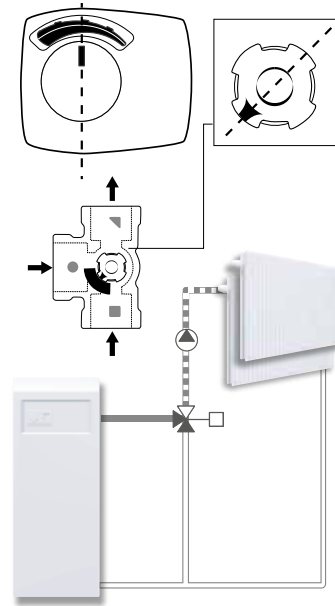
**b**



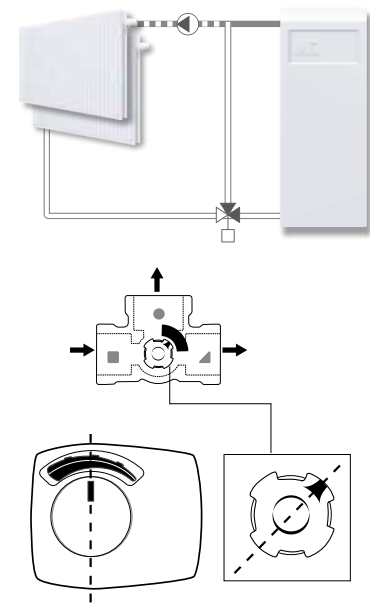
**c**



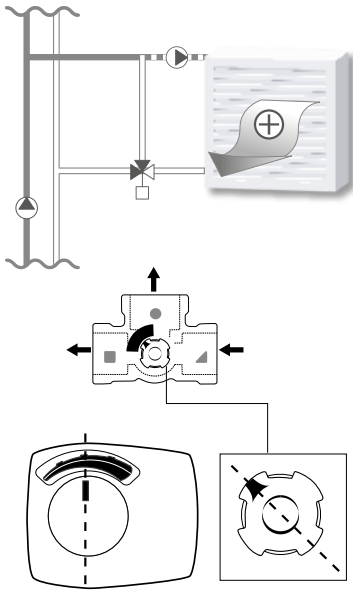
**d**



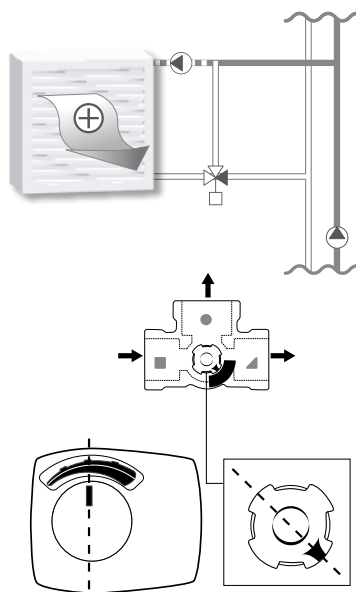
**e**



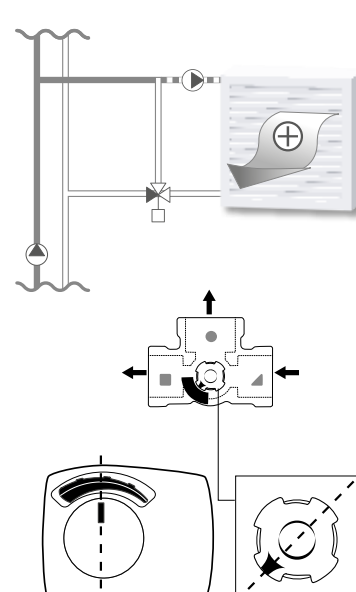
**j**



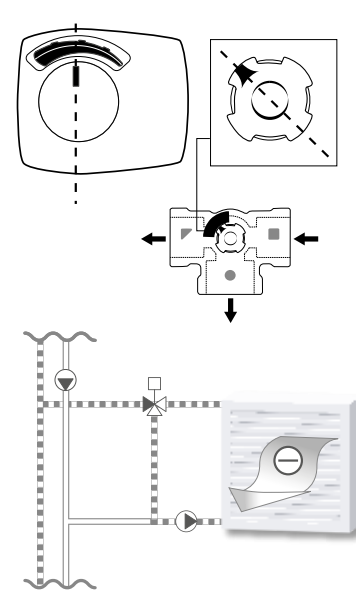
**k**



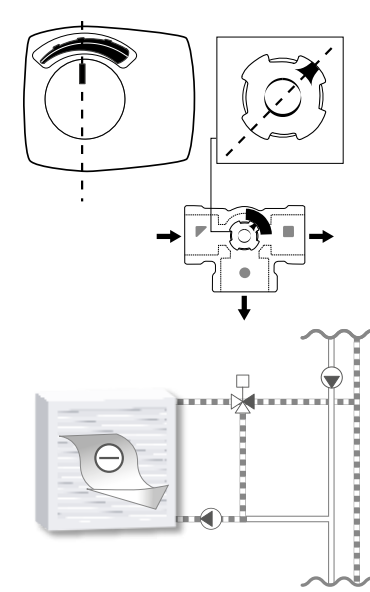
**l**



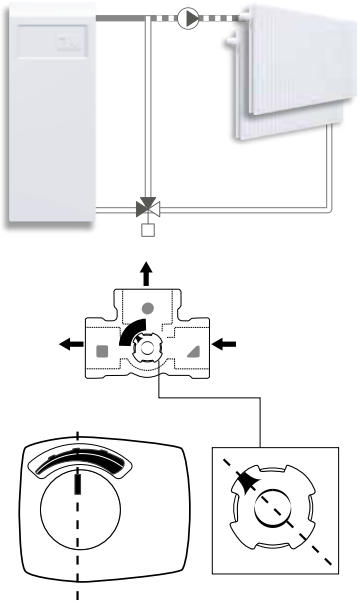
**m**



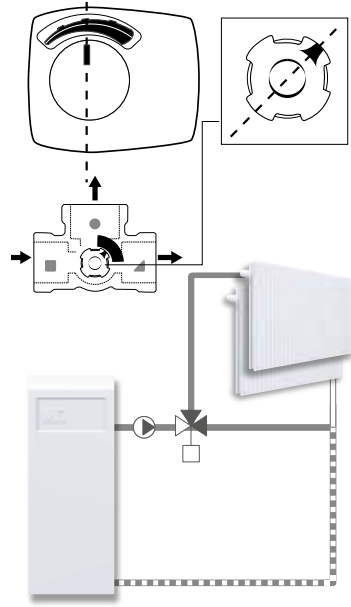
**n**



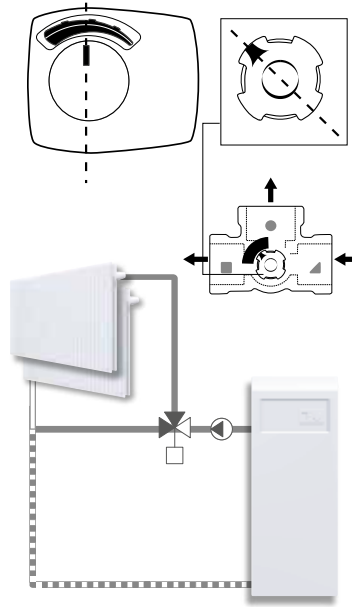
**f**



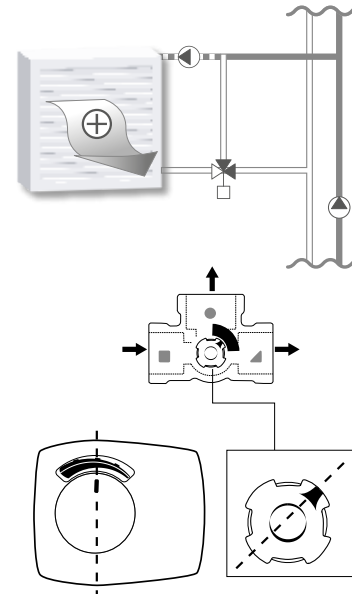
**g**



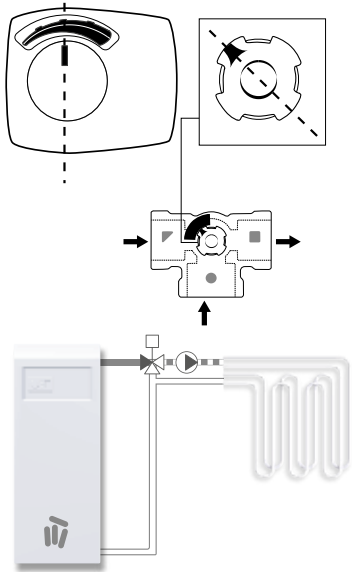
**h**



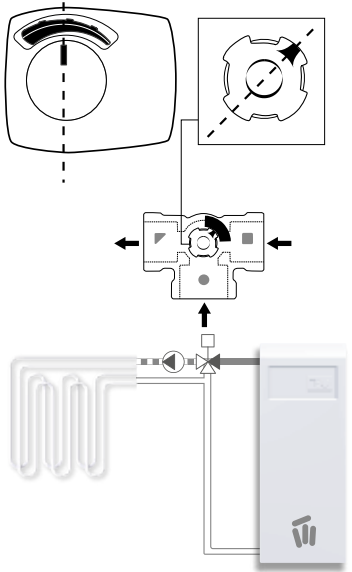
**i**



**o**

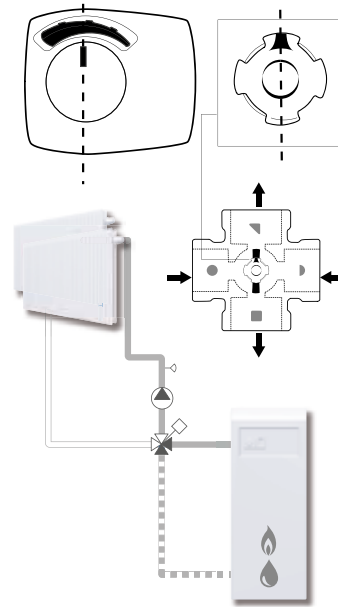


**p**

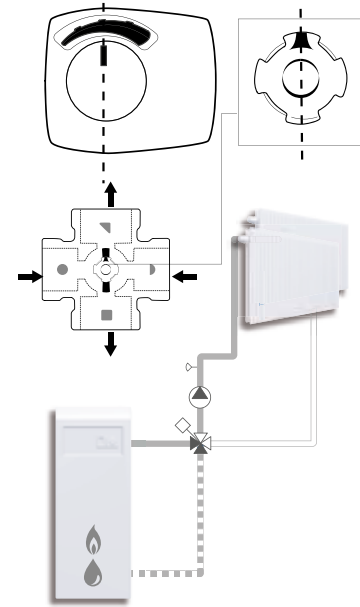


**SERIES VRG140**

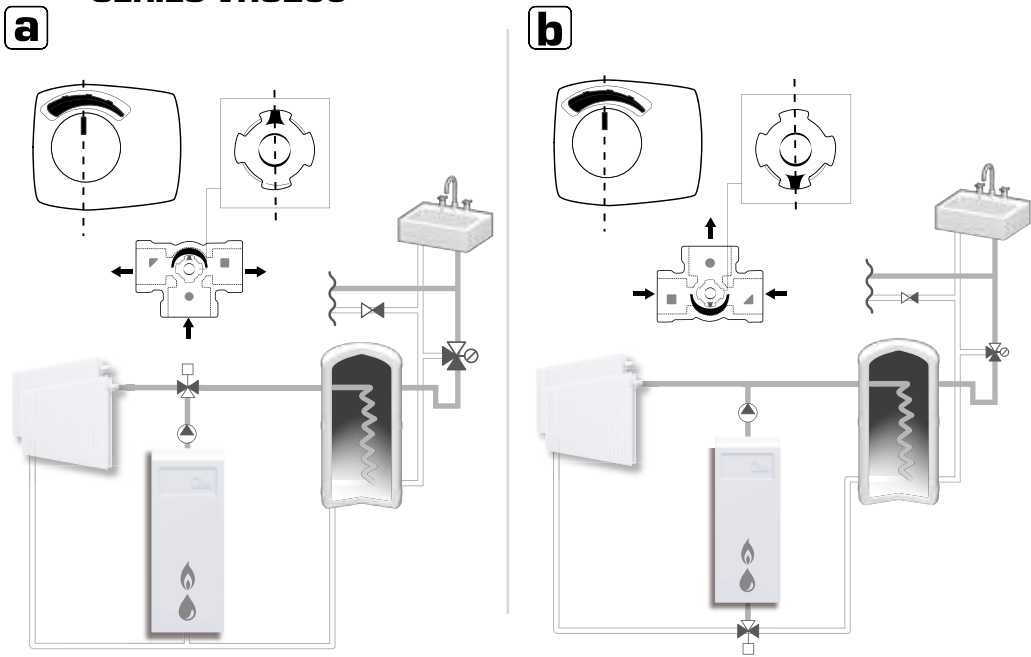
**a**



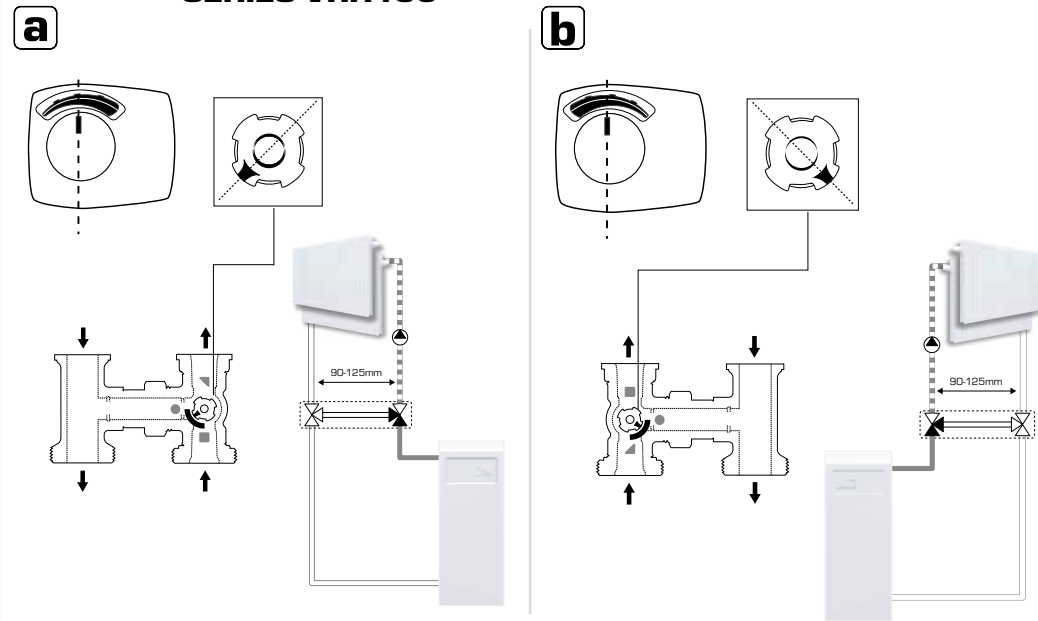
**b**



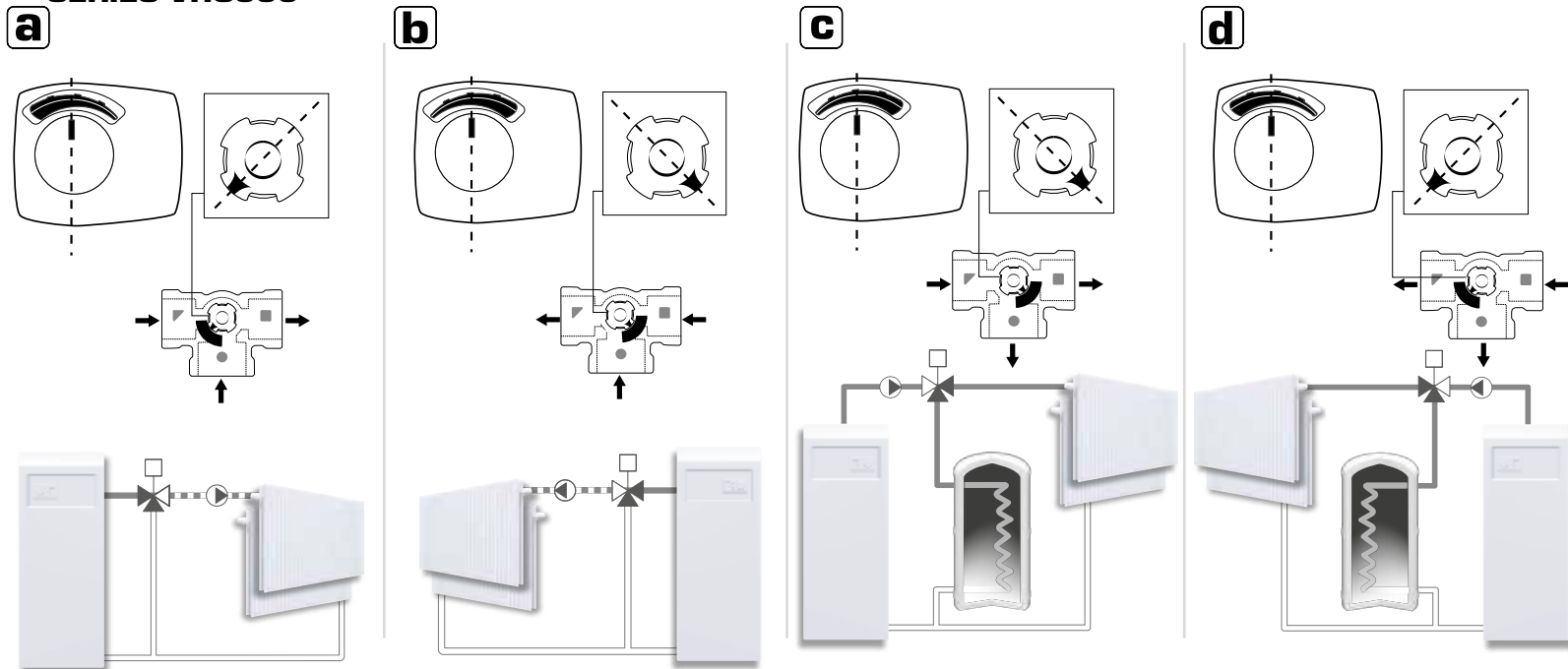
### SERIES VRG230



### SERIES VRH130

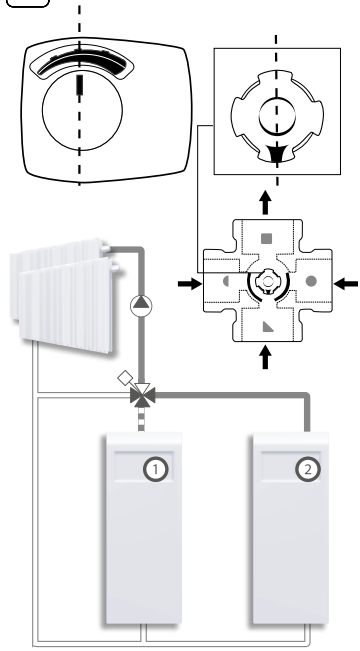


### SERIES VRG330

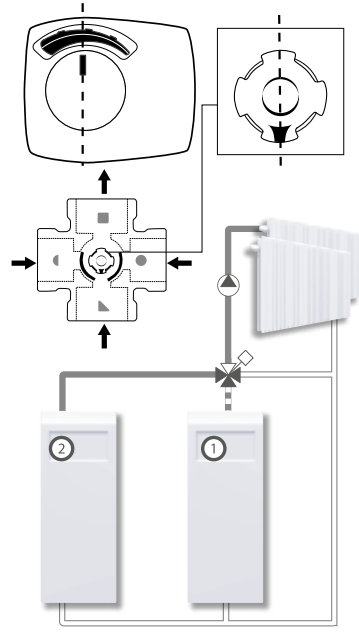


## SERIES VRB140

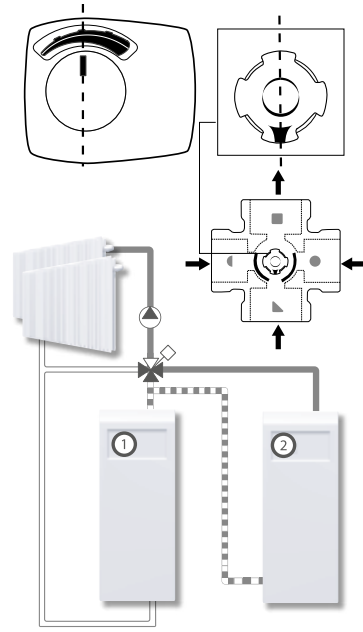
**a**



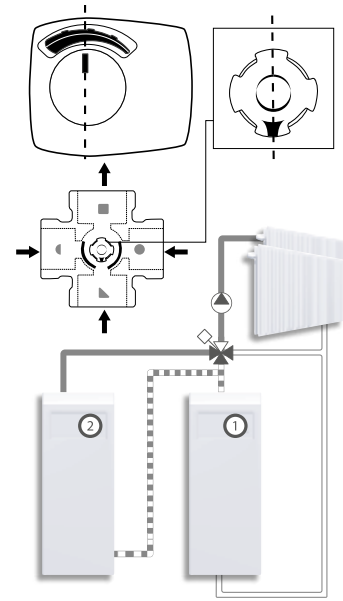
**b**



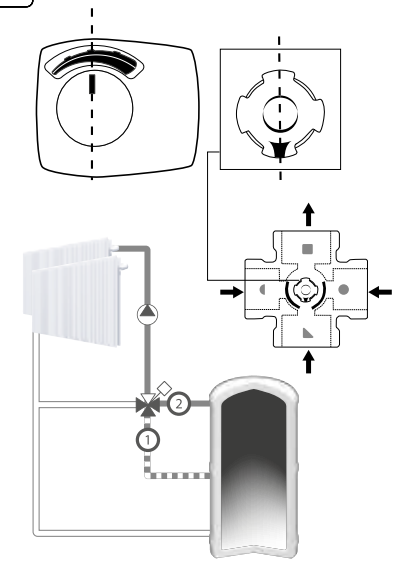
**c**



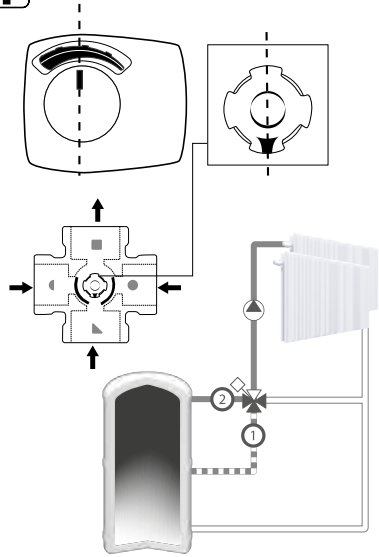
**d**



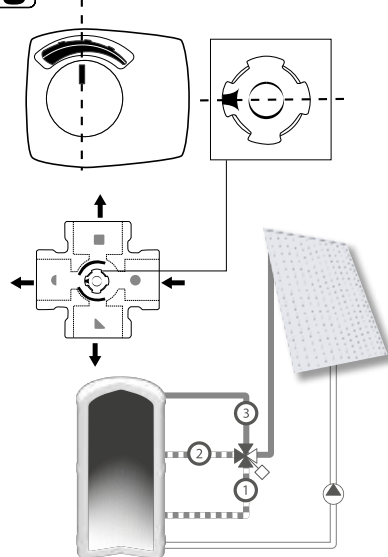
**e**



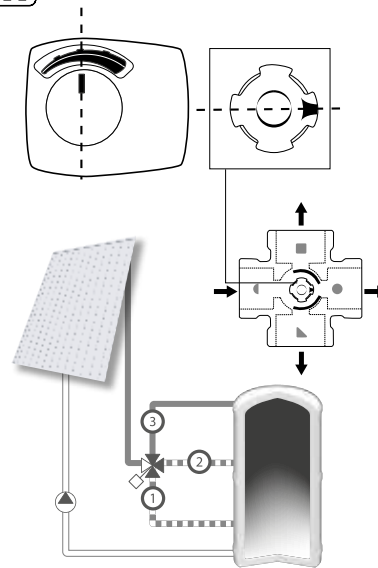
**f**



**g**

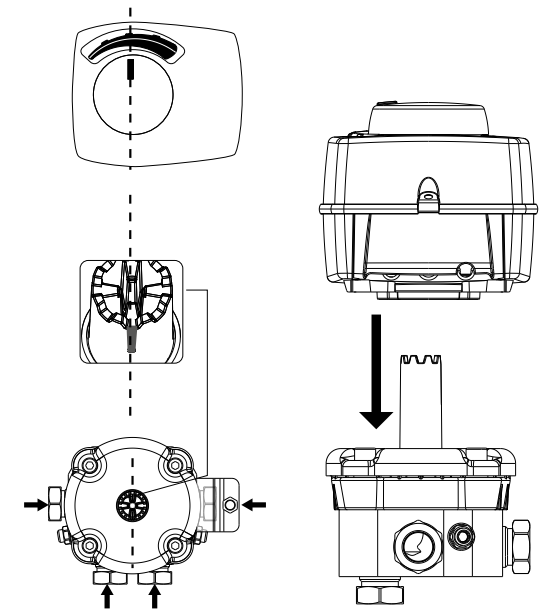


**h**



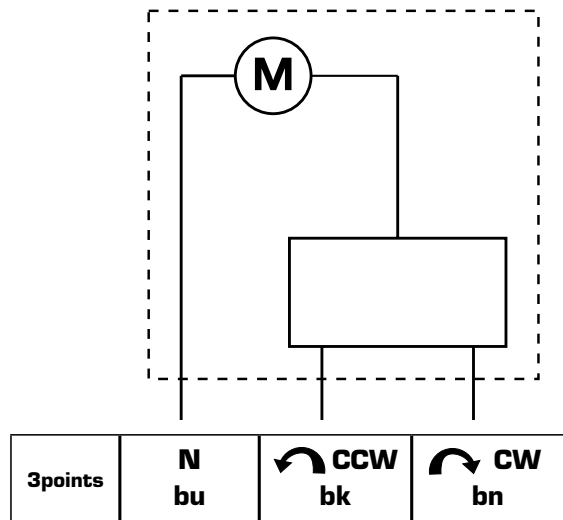
*\*We would like to point out the existence of a German patent DE 1 982 126 6 C5 offering the usage of bivalent 4-way valves in liquid circulation heating systems. In this patent the usage of a 4-way bivalent valve in a type of heating system is protected in which 2 different heating circuits are operated in parallel, where the return of the first circuit is utilized as heat source for the parallel second heat circuit. A typical application would be a primary heat circuit with a heat source and a parallel floor heating, where the floor heating in a regulated manner is heated through its heat source and the return from the primary heat circuit is utilized as alternative secondary heat source for the floor heating. Such a utilization of our bivalent 4-way valve without approval of the patent holder is forbidden. All other applications our product group VRB are without restrictions possible.*

## SERIES VRC160

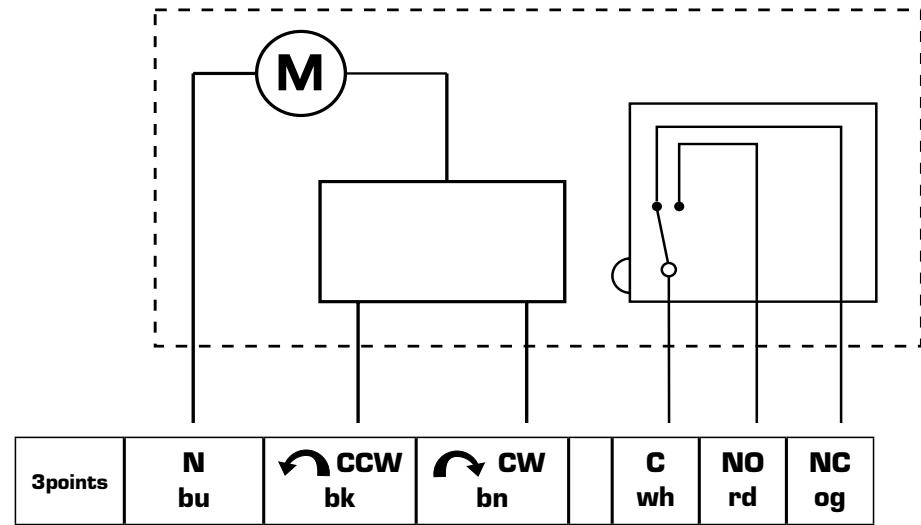




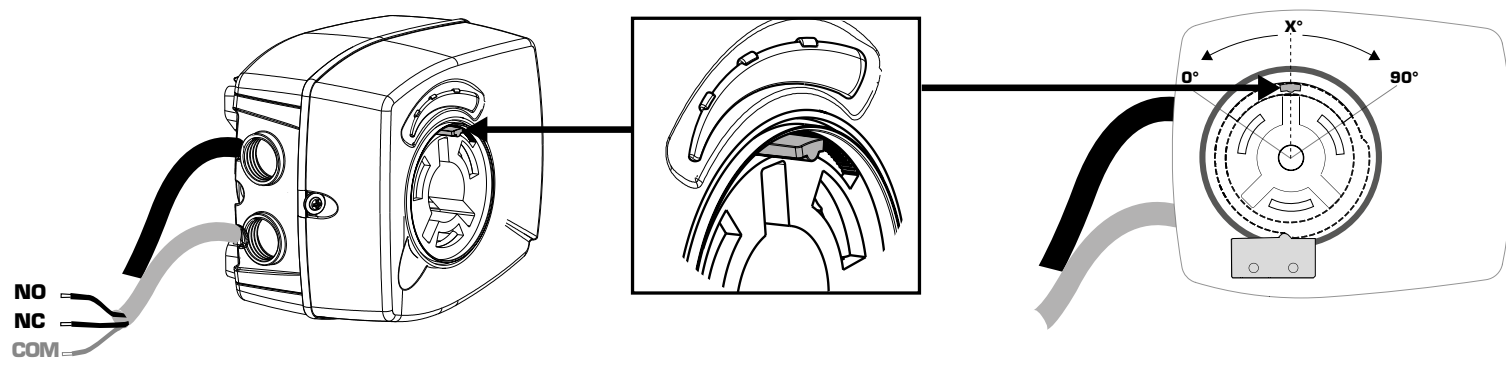
### Series ARA6x1, ARA6x3



### Series ARA6x2, ARA6x4



### Series ARA6x2, 6x4



|    | 0° - (90° - x°) | (90° - x°) - 90° |
|----|-----------------|------------------|
| NO |                 |                  |
| NC |                 |                  |
|    | X° = 45°        |                  |

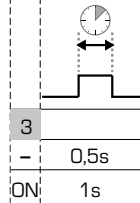
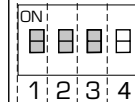
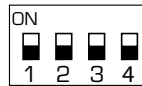
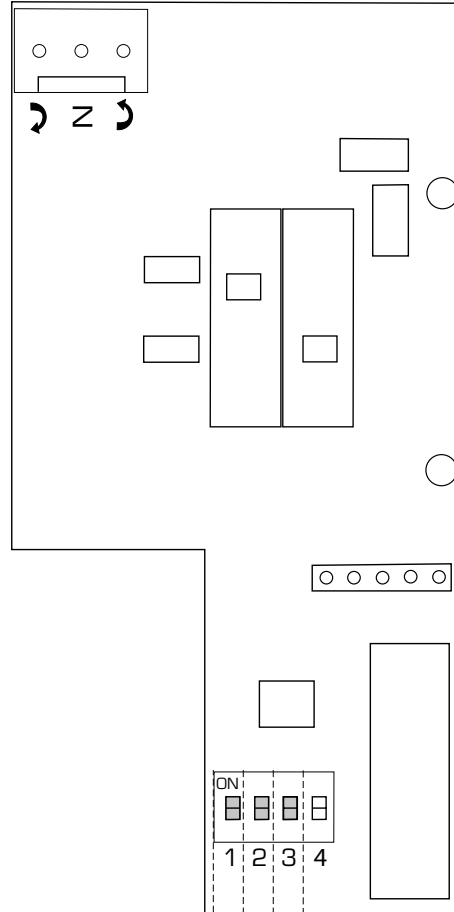
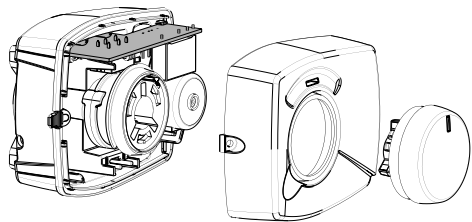
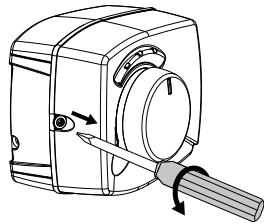


# Series ARA69x

1



2



|    |    |       |
|----|----|-------|
| 1  | 2  |       |
| -  | -  | 120s  |
| -  | ON | 240s  |
| ON | -  | 480s  |
| ON | ON | 1200s |

