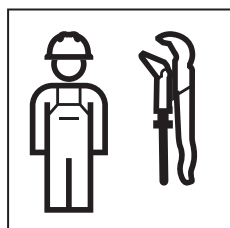
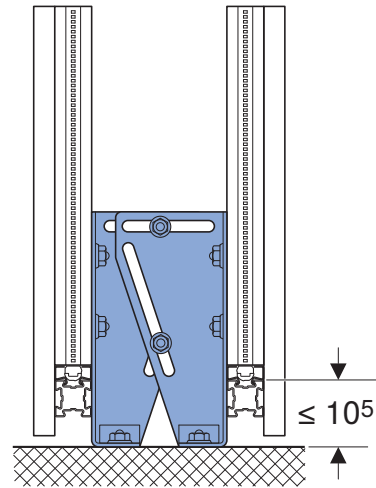
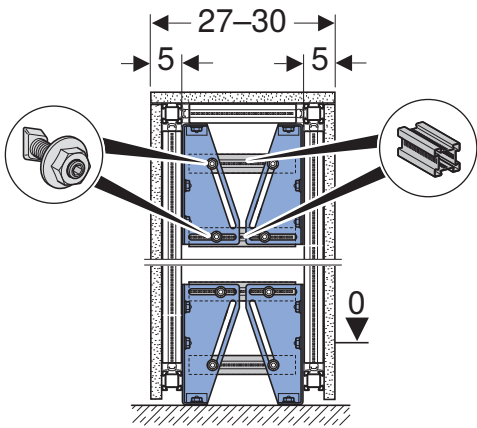
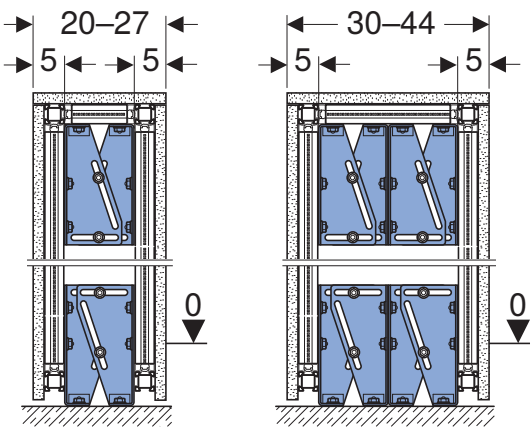
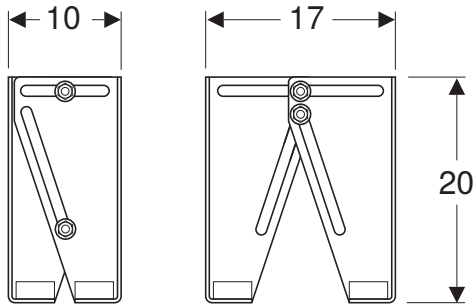


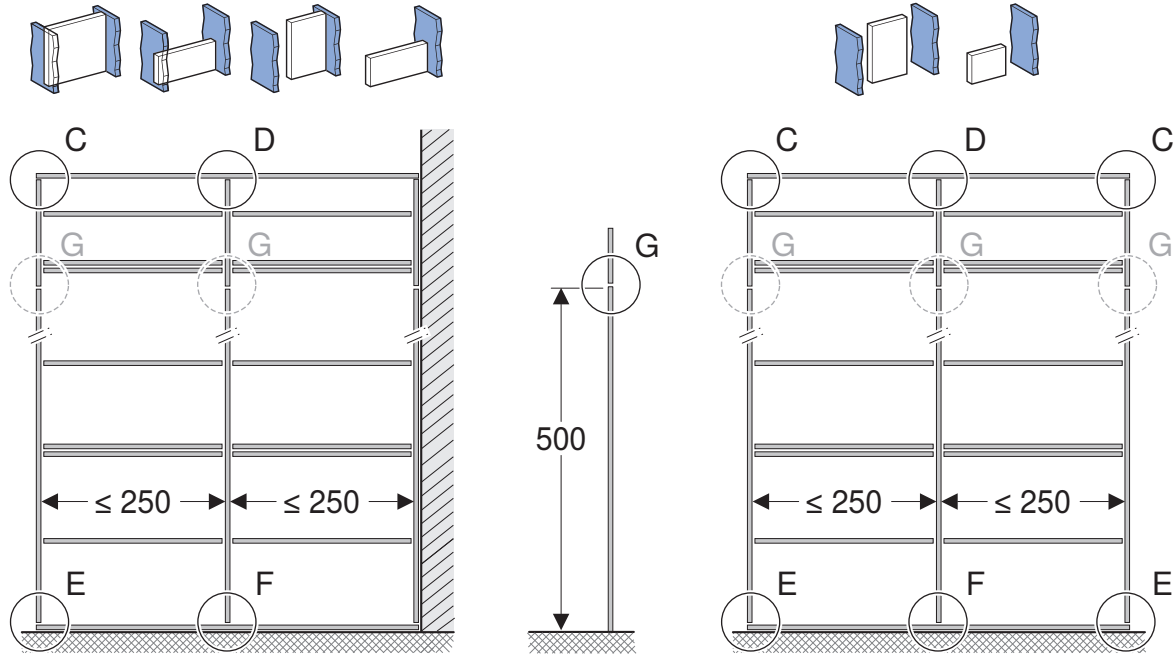
INSTALLATION MANUAL

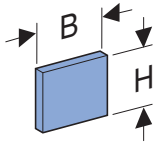





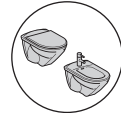
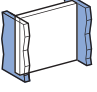
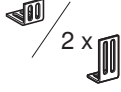
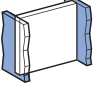



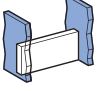

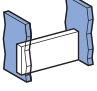




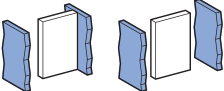

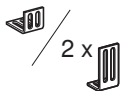
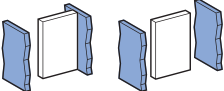




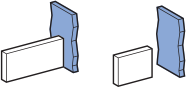





MONTAGEANLEITUNG
INSTRUCTIONS DE MONTAGE
ISTRUZIONI PER IL MONTAGGIO

**KNOW
HOW
INSTALLED**



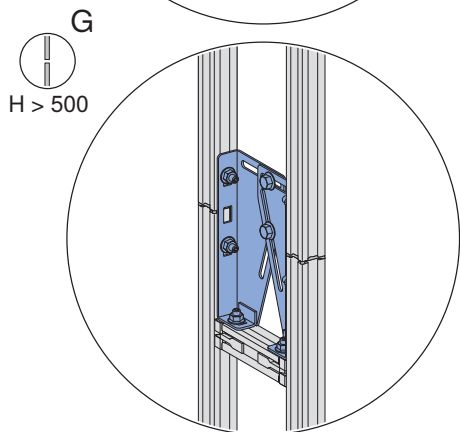
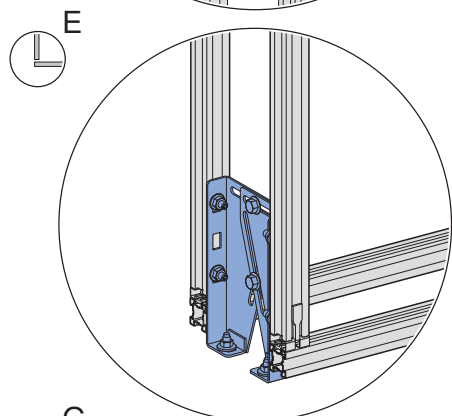
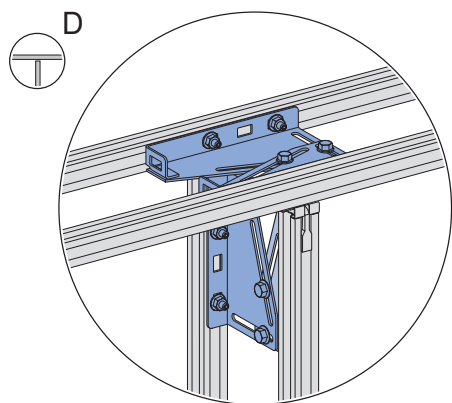
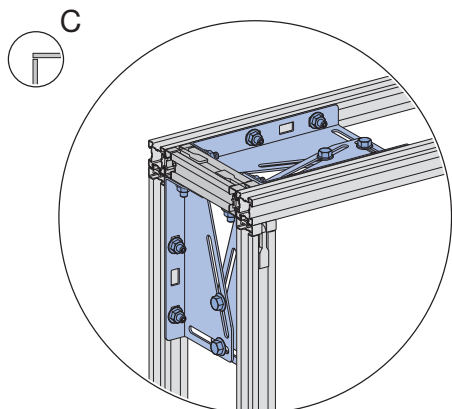




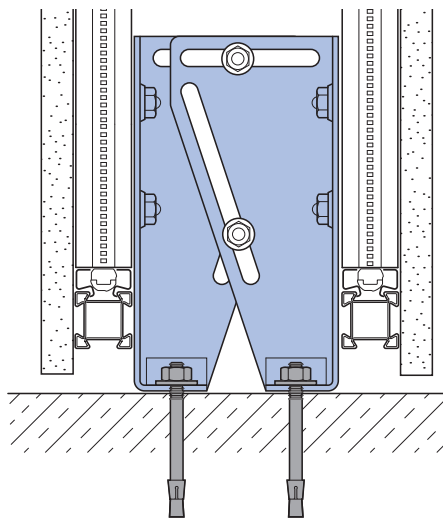
 B H	 C	 D	 E	 F	 G $H > 500$	
 $H \leq 360$ $B = \infty$	-	-	-	-	-	 / 2 x
 $H \leq 600$ $B = \infty$	-	-	-	2 x 		2 x 
 $H \leq 360$ $B \leq 250$	-	-	-	-	-	 / 2 x
 $H \leq 600$ $B \leq 500$	-	2 x 	-	2 x 		2 x 
 $H \leq 360$ $B \leq 250$	-	-		-	-	 / 2 x
 $H \leq 600$ $B \leq 500$	-	-	2 x 	2 x 		2 x 
 $H \leq 220$ $B \leq 500$	2 x 	2 x 	2 x 	2 x 	-	2 x 



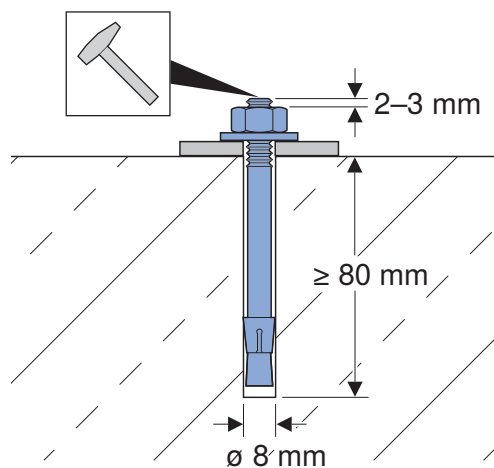
1



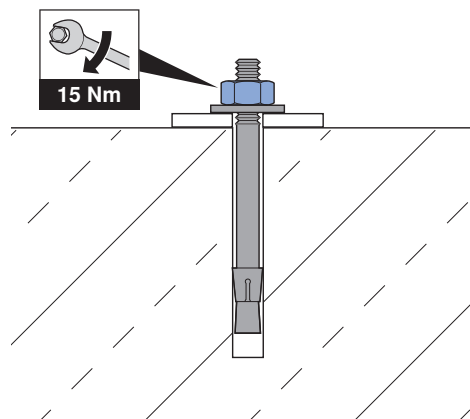
2



1



2



Geberit International AG
Schachenstrasse 77, CH-8645 Jona
documentation@geberit.com
www.geberit.com