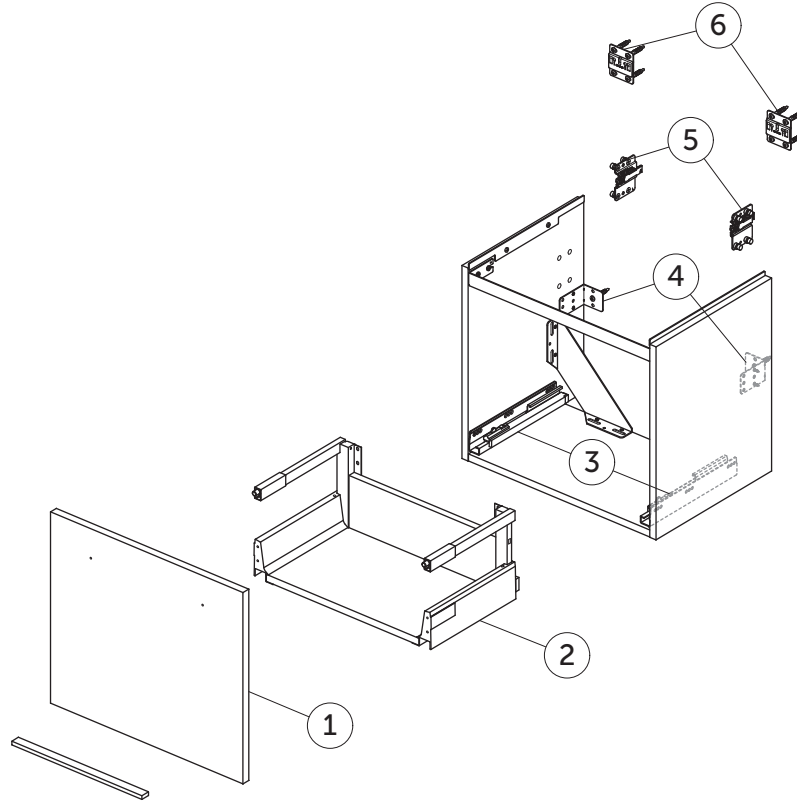


# SPARE PARTS

Vanity Unit WH 500  
1 drw

I.LIFE S



Item	Description	Colour/Finish	Code No.	Quantity
1	Drawer front panel 496 x 436	DU - White Matt NF - Sand Beige Matt NH - Greige Matt NG - Quartz Grey Matt NV - Carbon Grey Matt NX - Natural Oak NW - Coffee Oak	TF164DU TF164NF TF164NH TF164NG TF164NV TF164NX TF164NW	1
2	Drawer structure box 50x38		TF165NG	1
3	Runners 270 KIT Tandembox BM Blum		TF16667	pair
4	Safety brackets KIT BU (brackets, screws, plugs)		TF12067	10
5	Hangers KIT Camat 807		TF12167	pair
6	Wall fixation KIT BU (brackets, screws, plugs)		TF12267	18

Ideal Standard International NV  
Corporate Village – Gent Building  
Da Vincilaan 2  
B1935 – Zaventem  
Belgium

**BE** +32 (0)2 325 66 33  
**BG** +359 675 30362  
**DE** +49 (0)228 521 580  
**EG** +202 26969700  
**FR** +33 (0)1 49 38 28 00  
**GB** 01482 496 318  
**GR** +30 210 67 90 810  
**HR** +38591 22 99 304

**HU** +36 30 6991 594  
**IT** 800 652 290  
**ME** +971 4 804 2400  
**NL** +31 (0)77 355 08 08  
**PL** +48 71 7868 301/302  
**RO** +40 21 3223 201/202  
**SI** 00386 59 919040  
**TR** +90 216 314 87 87

**UA** +359 675 30 468  
**AL/XK/BA** +359 887 709 696  
**CZ/SK** +420 417 592 179  
**DK/NO/SE** +45 75 84 10 10  
**ES/PT** +34 93 561 80 00  
**LV/LT/EE** +371 673 57 792  
**RS/MK/ME** +381 11 713 80 58  
**RU/MD** +7 495 669 23 11

