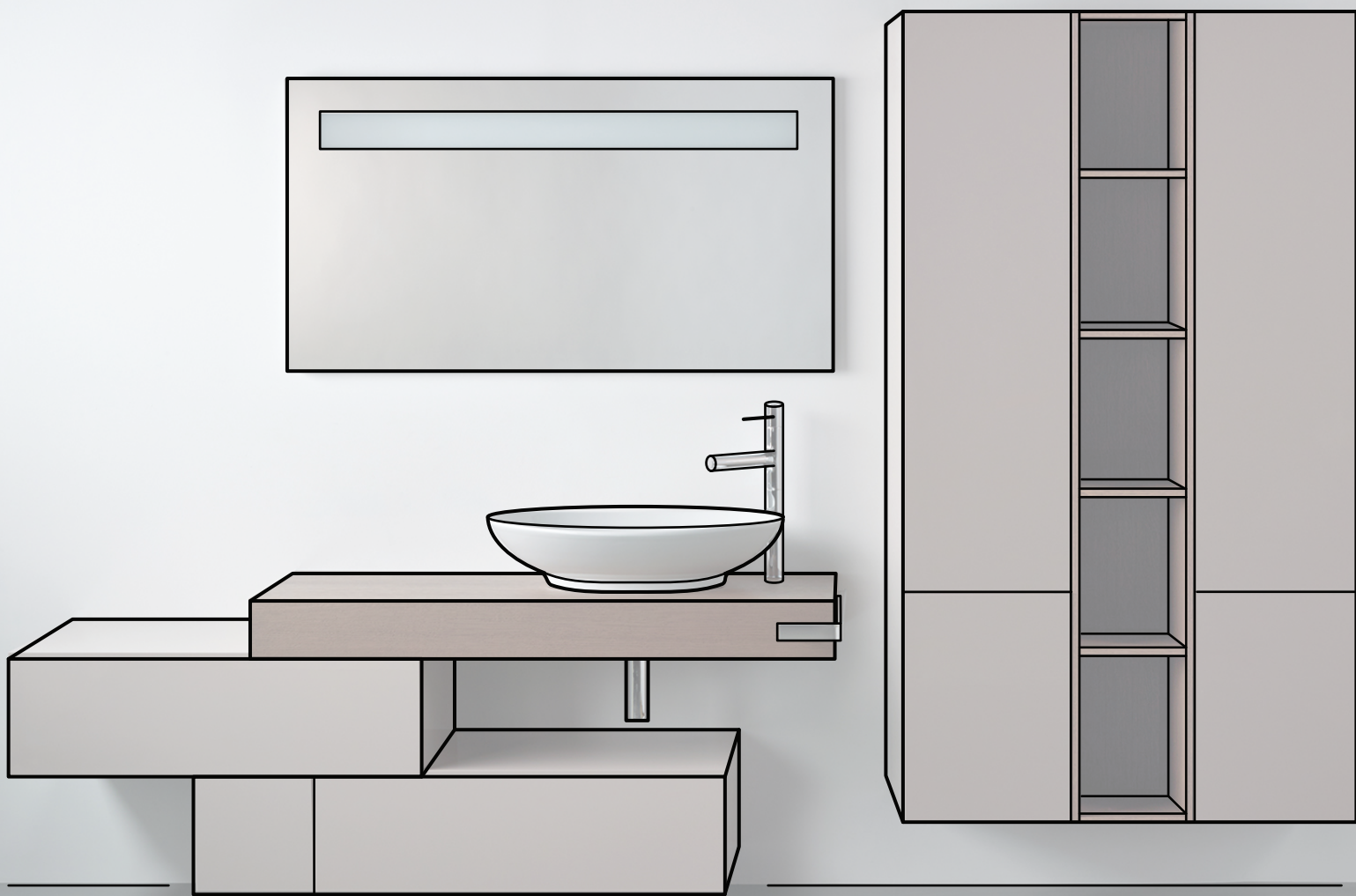


INSTALLATION MANUAL



sottini

SIMPLY IMAGINE

CONTENTS

1.0 General information

4

1.1	Components	4
1.2	Assembly instructions	5
1.3	Notes on this manual	5
1.4	Guarantee	5

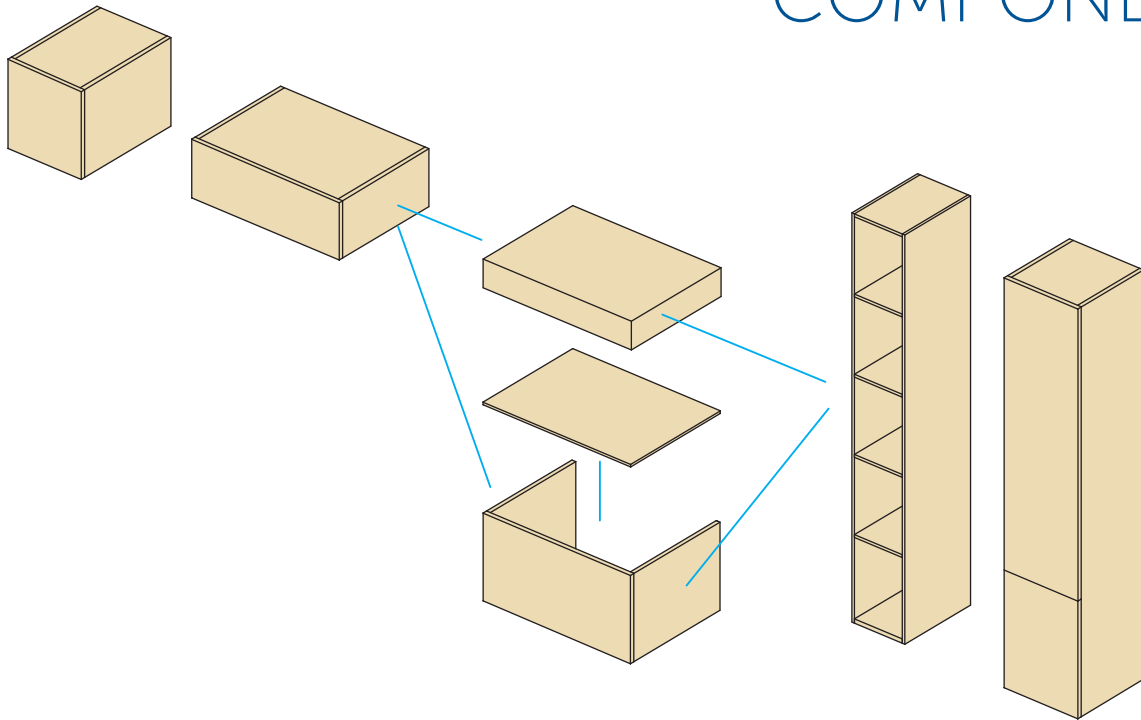
2.0 Installation instructions

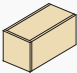
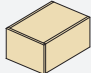



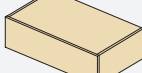










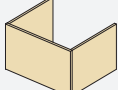
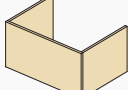
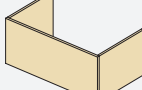
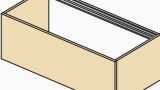
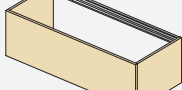
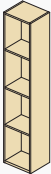
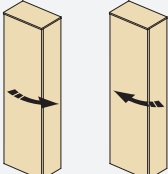
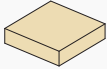
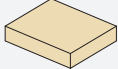

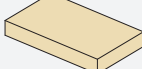
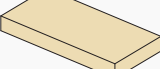

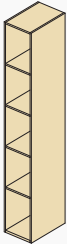
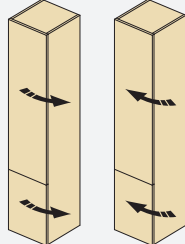
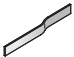

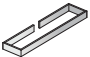
6

2.1	Basin unit	6
2.2	Console	11
2.3	Base unit / Side unit	13
2.4	Column	17
2.5	Open column	20
2.6	Drawer adjustment	22

3.0 Product Sheet

COMPONENTS



25 cm	35 cm	50 cm	60 cm	70 cm	85 cm	105 cm	120 cm
 U8419	 U8420	 U8421	 U8422	 U8423	 U8424		
 U8410	 U8411	 U8412	 U8413	 U8414	 U8415	 U8416	 U8417
	 U8418	 U8394	 U8395	 U8396	 U8397	 U8398	 U8399
 U8402	 U8400 / U8506	 U8404	 U8405	 U8406	 U8407	 U8408	 U8409
 U8403	 U8401 / U8507	 U8425	 U8426	 U8427			

ASSEMBLY INSTRUCTIONS

Please read the instructions first. We reserve the right to change product specifications due to possible technical improvements. The manual is supplied with the product; It must be kept for future reference and for the entire life cycle of the product and given to each subsequent owner.

Caution : Always use appropriate fixings to suit your type of wall.

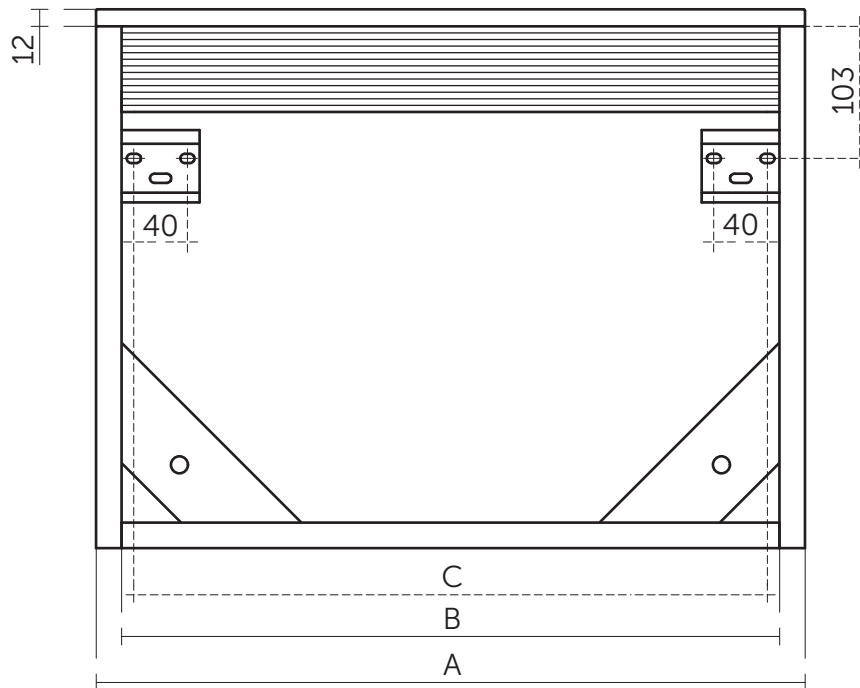
NOTES ON THIS MANUAL

Partial or total reproduction or copying of this manual without the permission of the manufacturer is prohibited. The contents of this manual are subject to change with no advance notice. Every effort has been made in preparing this manual to ensure the accuracy of its contents. However, if you have any questions or discover any errors, please contact the manufacturer. The manufacturer shall not be held liable for consequences arising from use of the product. The drawings and diagrams contained in the manual are to be considered approximate and are provided only for information.

GUARANTEE


This product has been manufactured with top quality materials and components and has undergone the tests required by the manufacturer's approval standards and by applicable national and European standards. Product warranty takes effect as of the purchase date of the product, as shown on the invoice or receipt and for the period granted under applicable law. Product warranty granted by law only covers defects (appearance, dimension, operation) existing at the time of delivery resulting from manufacturing errors, as verified and confirmed by the manufacturer's after-sales service technical staff. Normal wear and tear is not included.

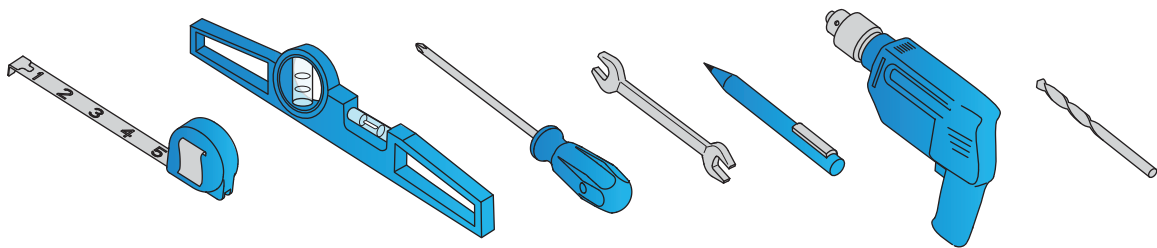
BASIN UNIT



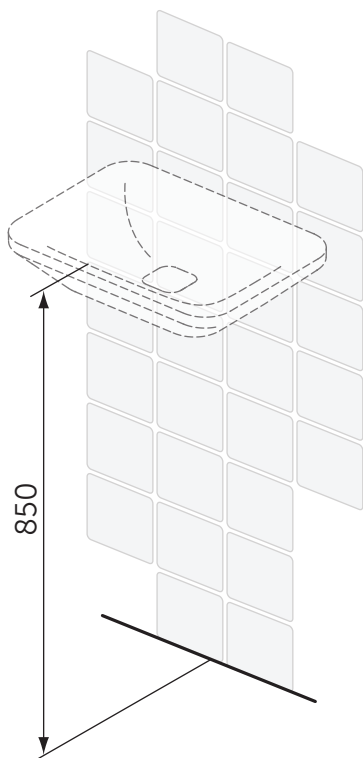
	A	B	C
U8394	500	464	446
U8395	600	564	546
U8396	700	664	646
U8397	850	814	796
U8398	1050	1014	996
U8399	1200	1164	1146

BASIN UNIT

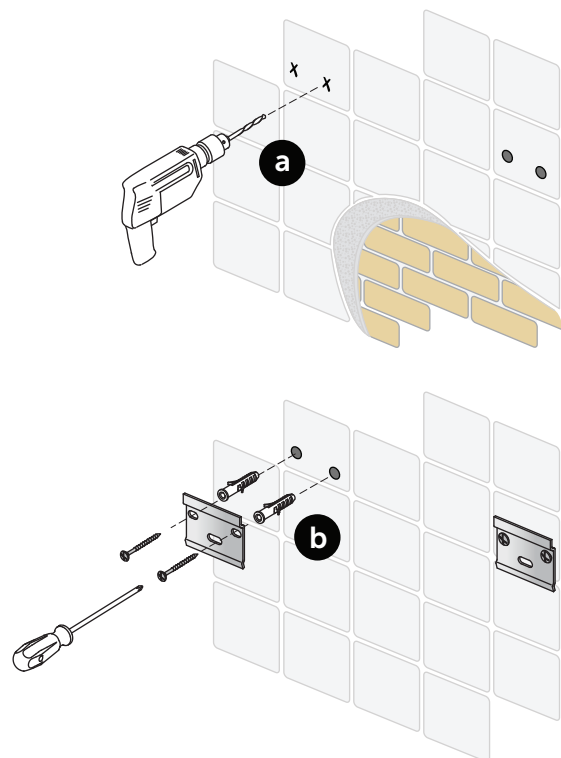
							
U8394	x 2	x 2	x 2	x 4	x 4	x 8	-
U8395	x 2	x 2	x 2	x 4	x 4	x 8	-
U8396	x 2	x 2	x 2	x 4	x 4	x 8	-
U8397	x 2	x 2	x 2	x 4	x 4	x 8	-
U8398	x 2	x 2	x 2	x 4	x 4	x 8	x 2
U8399	x 2	x 2	x 2	x 4	x 4	x 8	x 2



1

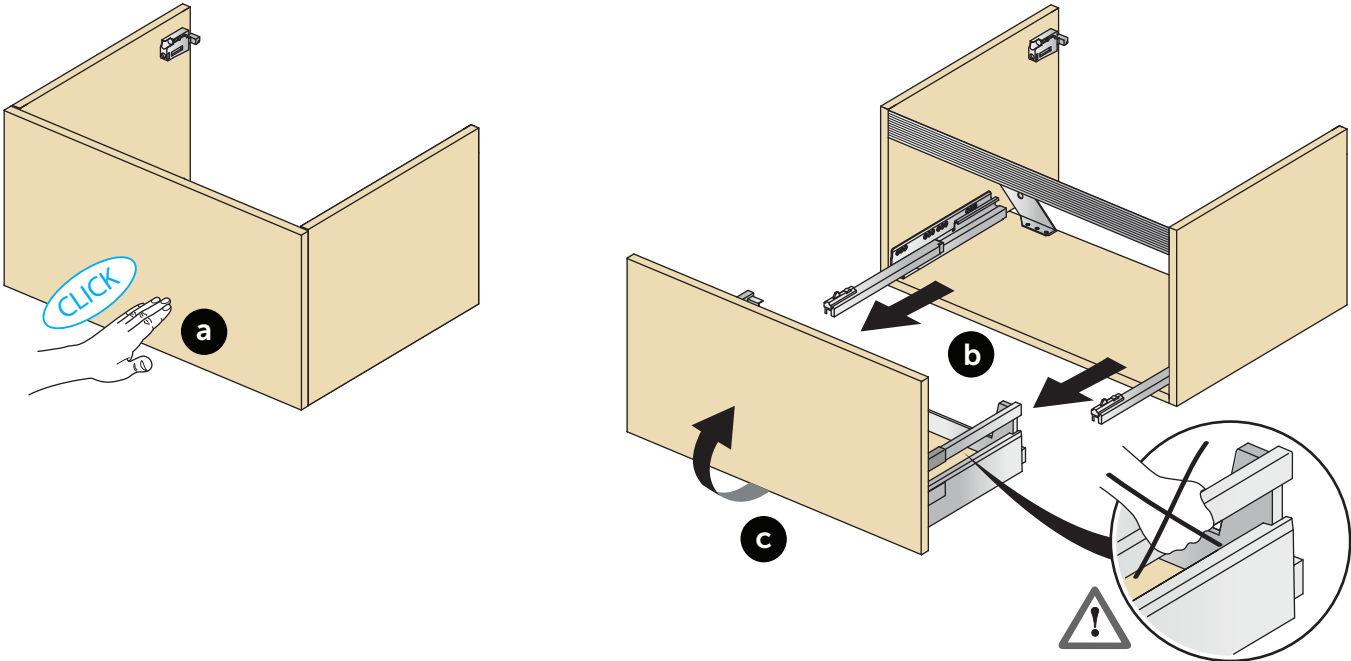


2

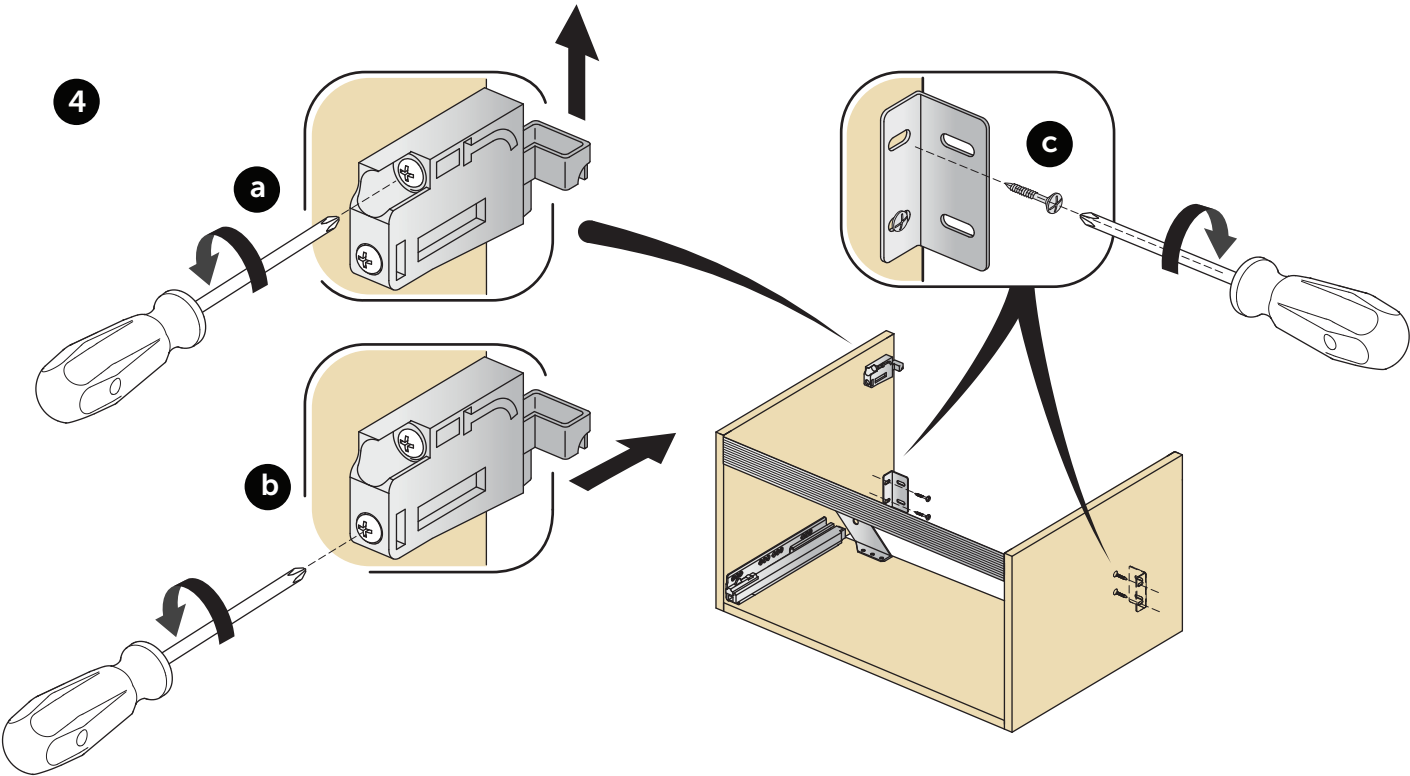


BASIN UNIT

3

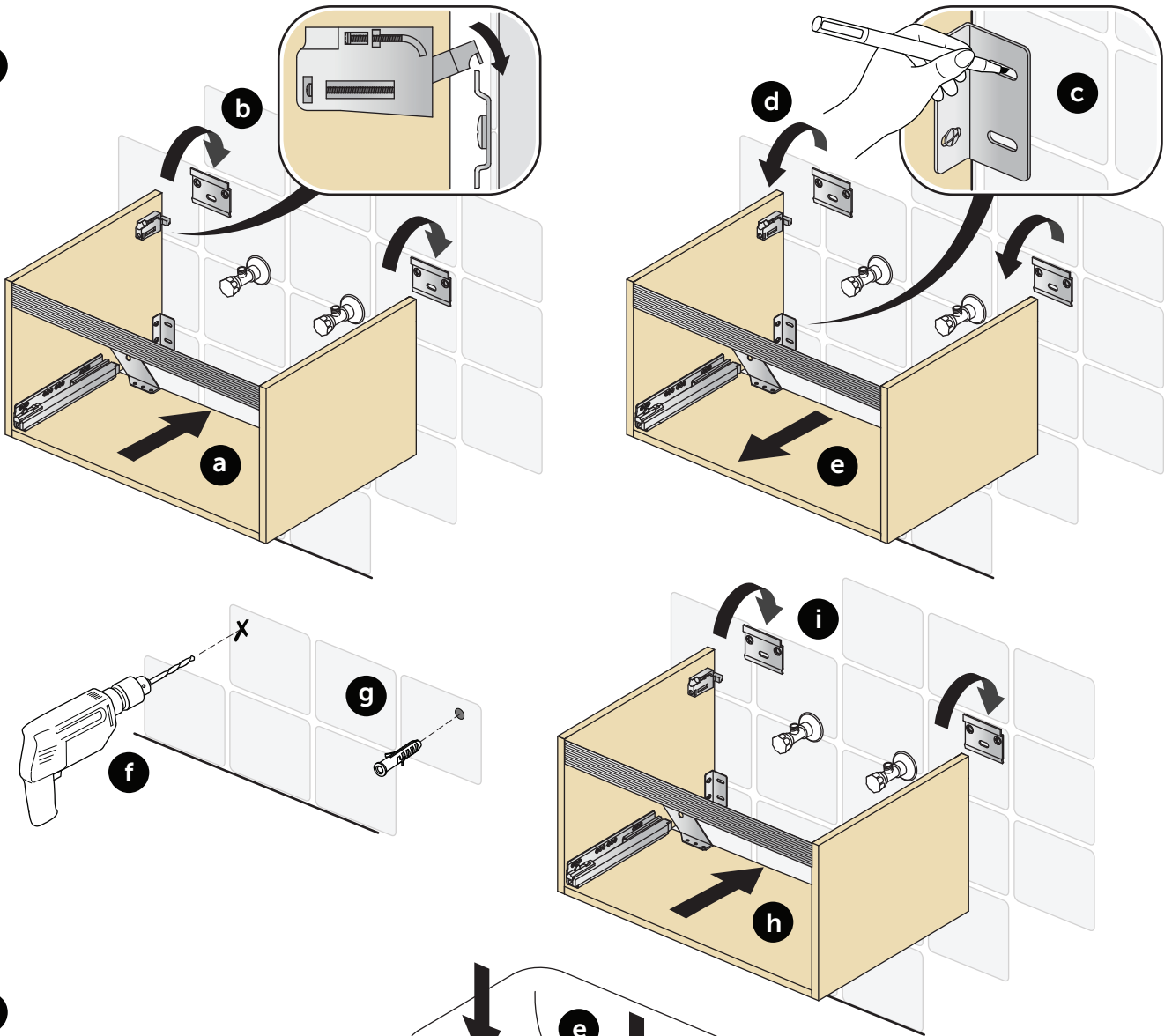


4



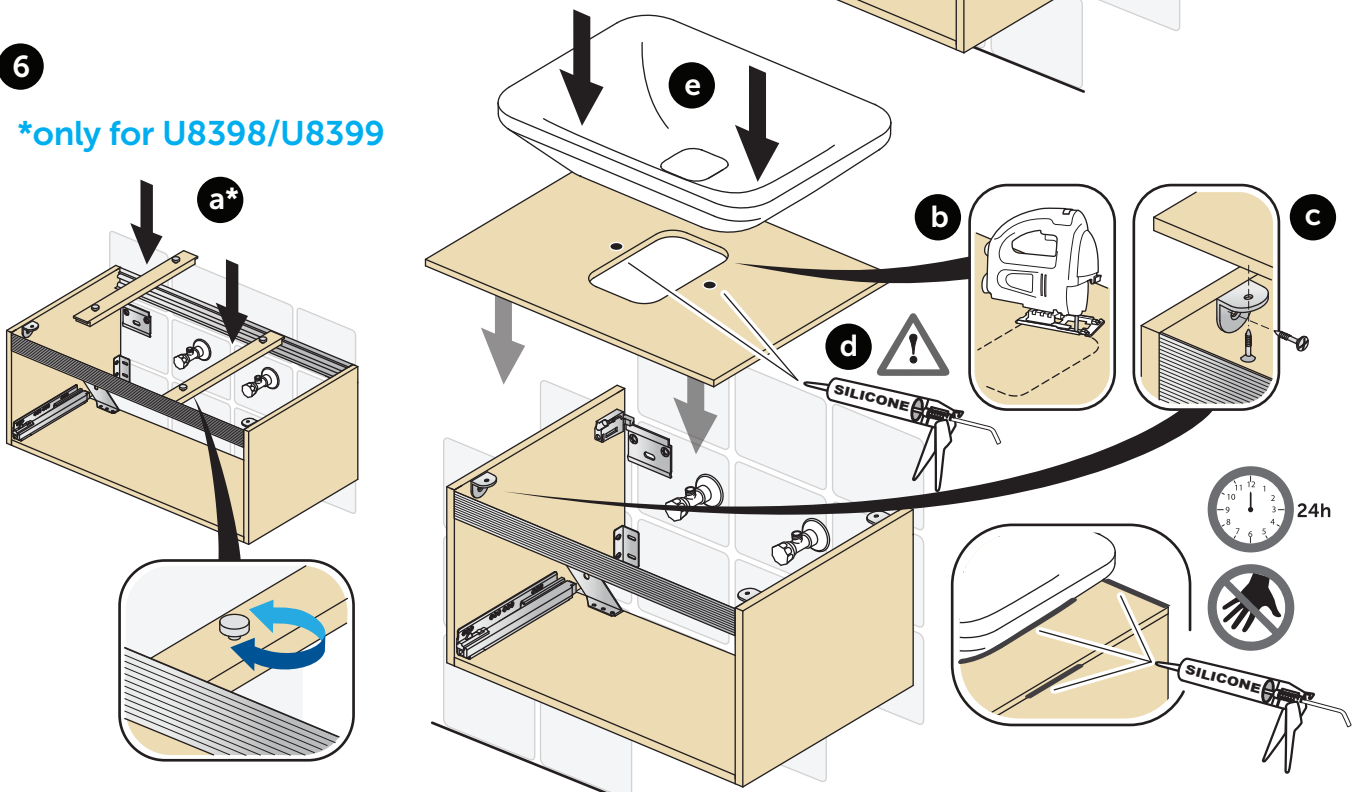
BASIN UNIT

5

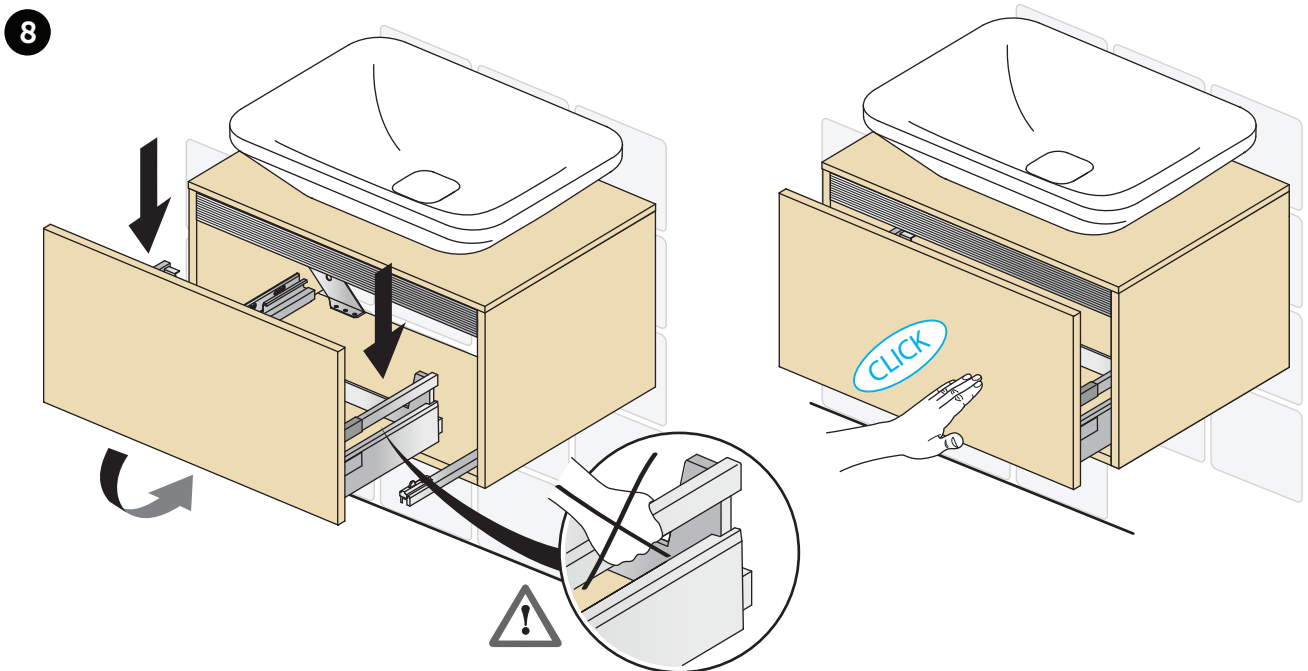
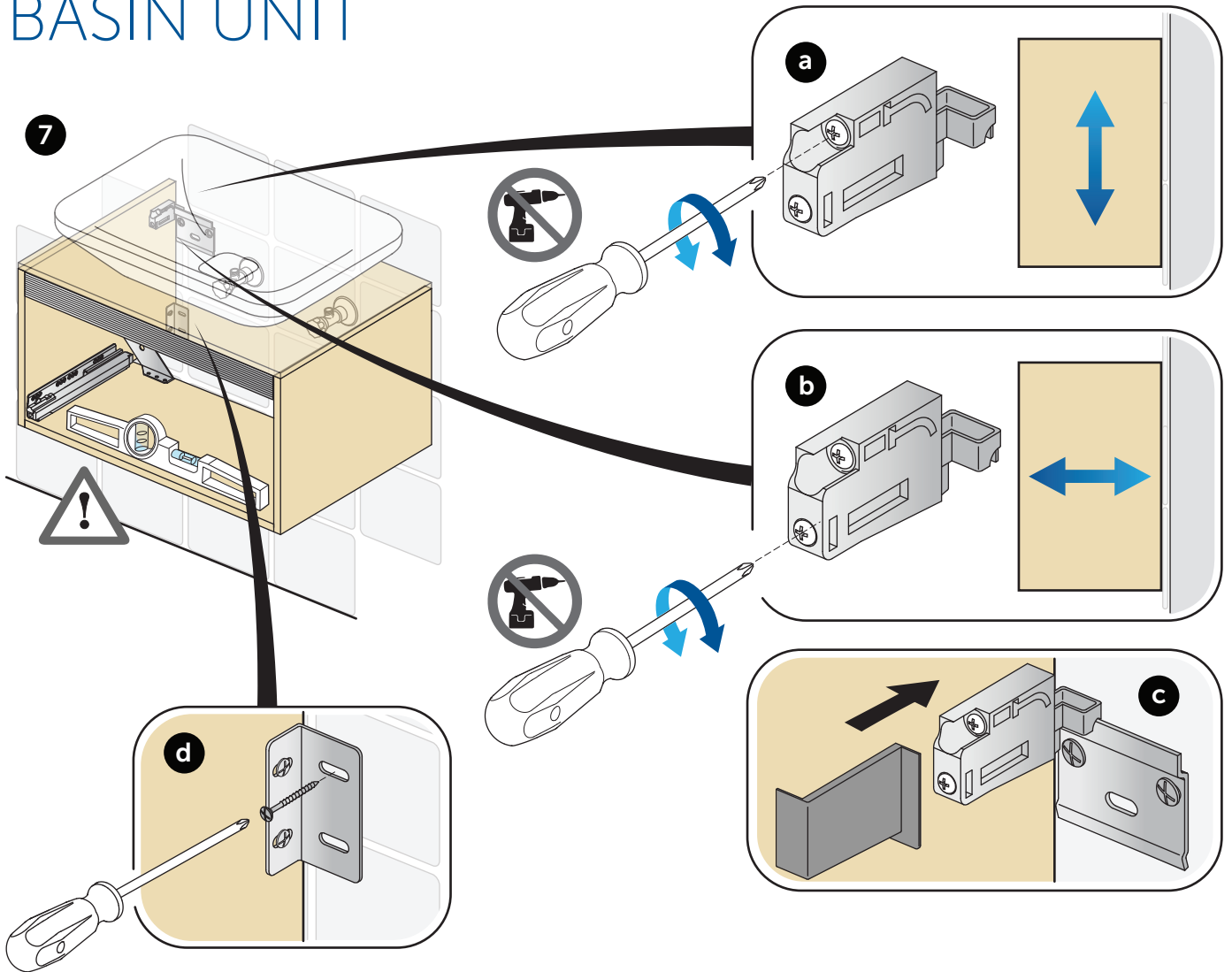


6

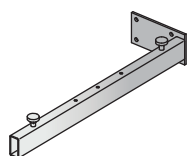
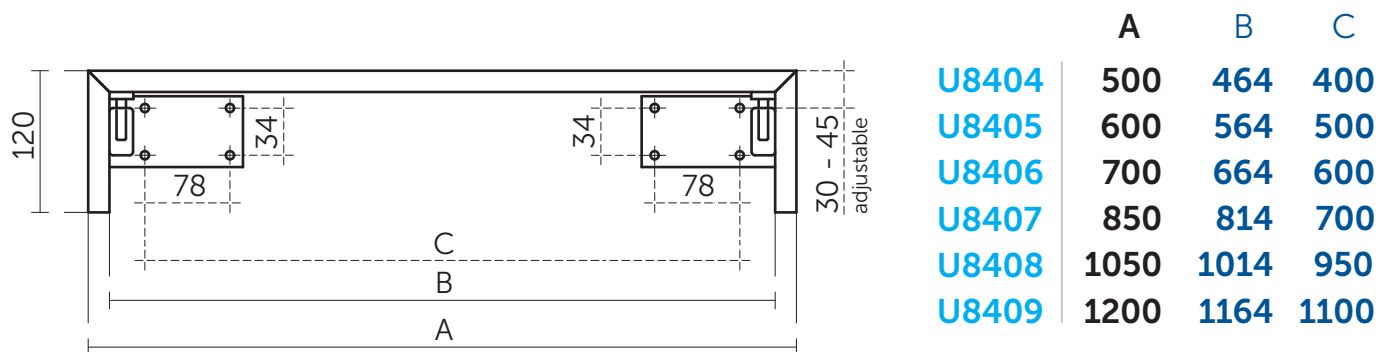
*only for U8398/U8399



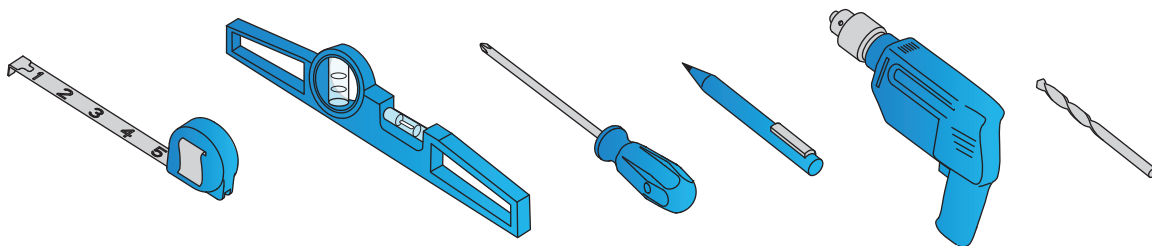
BASIN UNIT



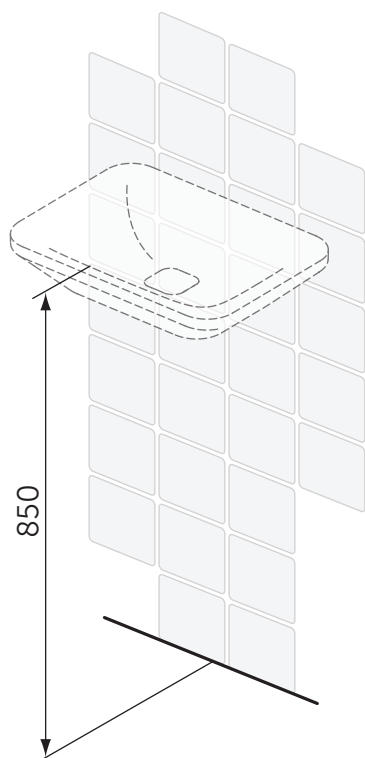
CONSOLE



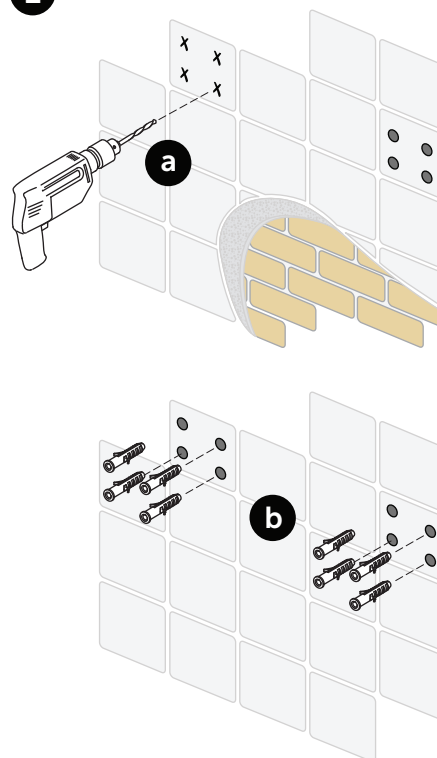
U8404 x 2
 U8405 x 2
 U8406 x 2
 U8407 x 2
 U8408 x 3
 U8409 x 3



1



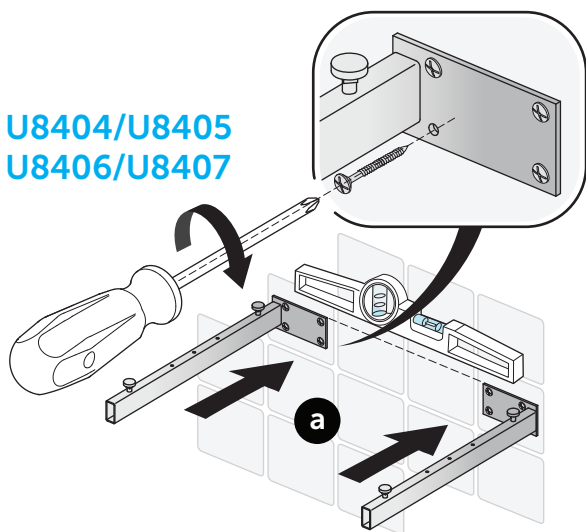
2



CONSOLE

3

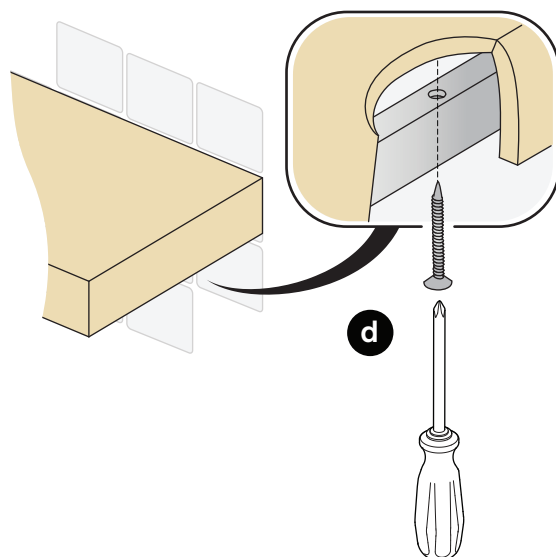
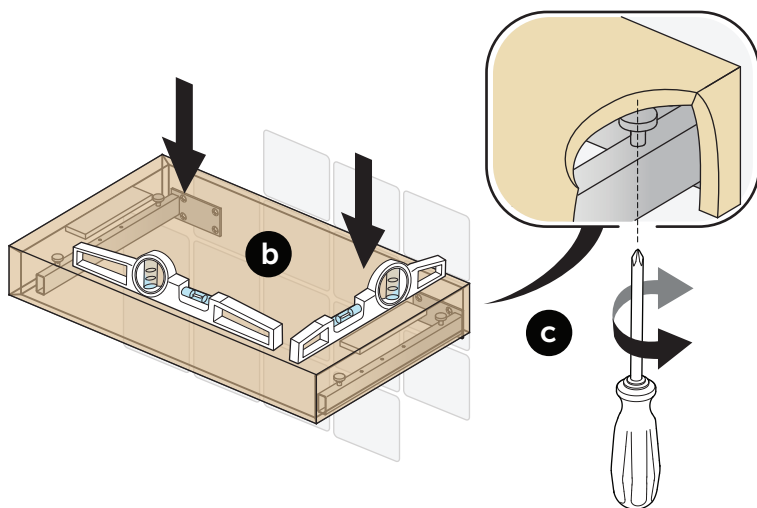
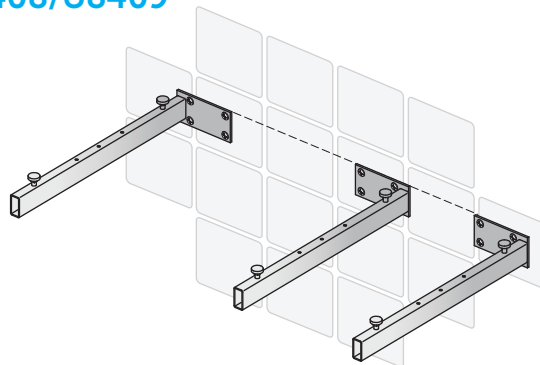
U8404/U8405
U8406/U8407



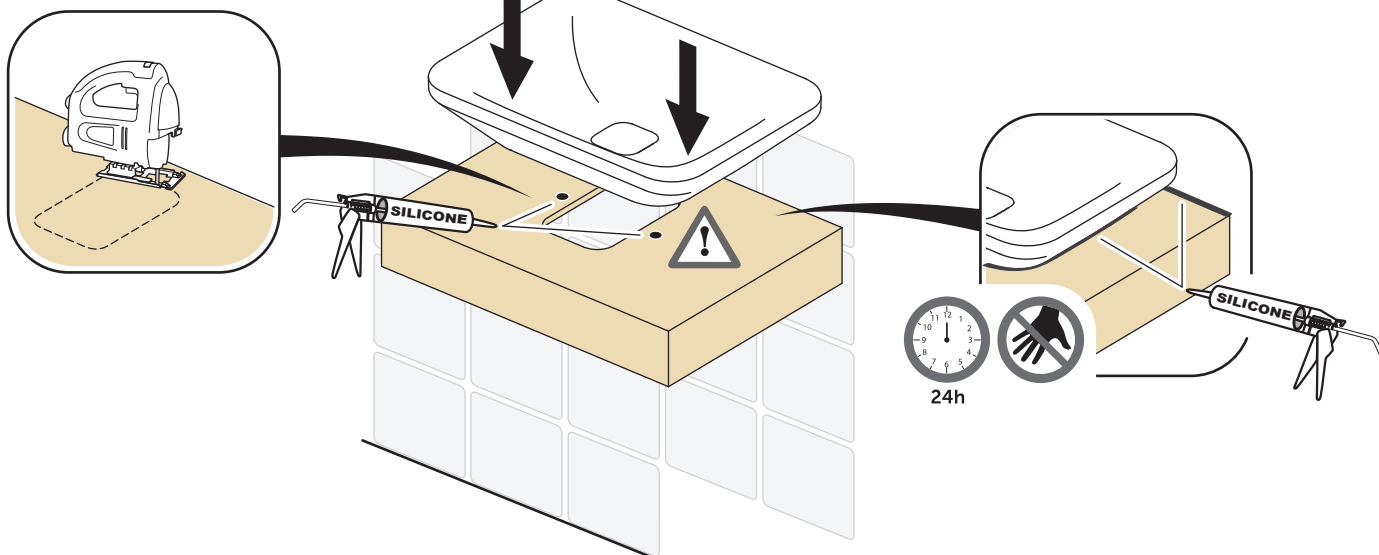
SUPPORTING BRACKETS

- a Screw plug fixing the bracket to the wall
- c Foot to support the top, adjustable using a screw driver (electric voltage detector), to determine its squareness with the wall. The feet must be removed and screwed on again on the opposite side to create a rh-lh bracket.
- d Screw for wood to lock the top.

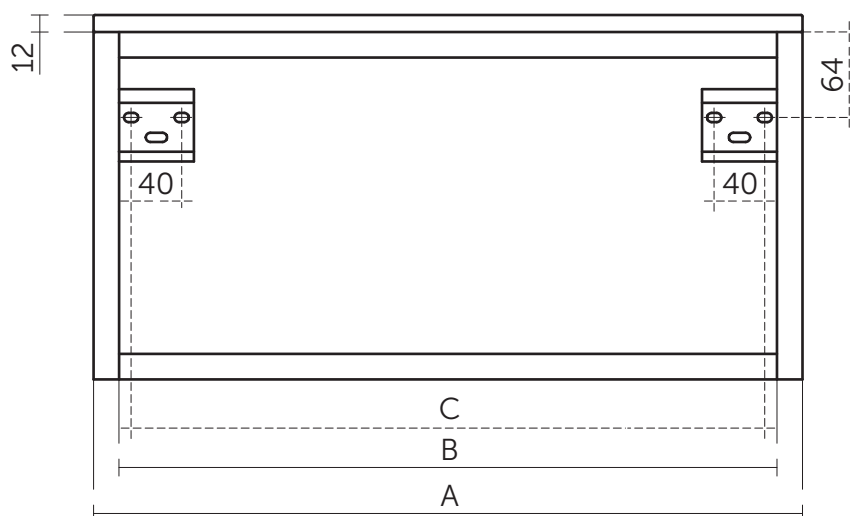
U8408/U8409



4


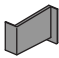


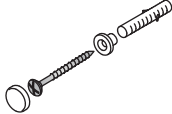


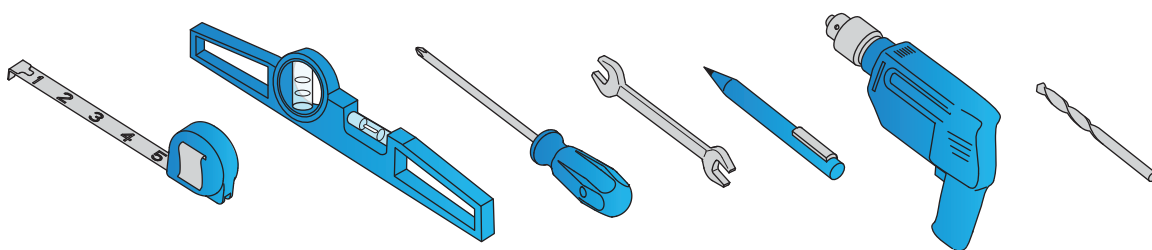
BASE UNIT / SIDE UNIT



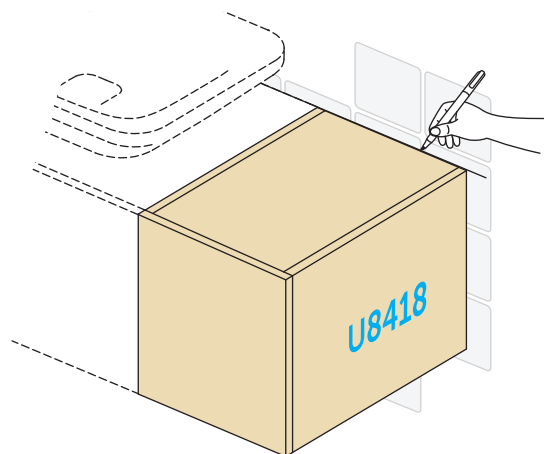
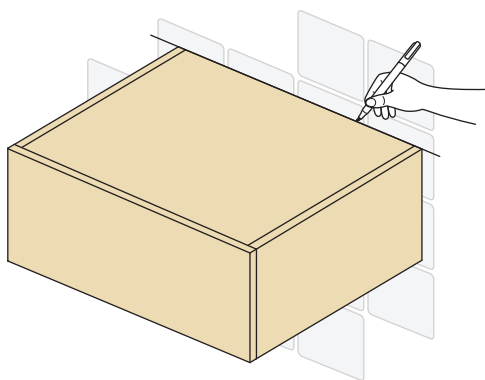
	A	B	C
U8418	350	314	296
U8419	250	214	196
U8420	350	314	296
U8421	500	464	446
U8422	600	564	546
U8423	700	664	646
U8424	850	814	796

BASE UNIT / SIDE UNIT

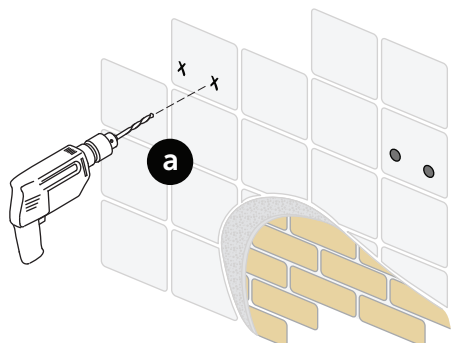
					
U8418	x 2	x 2	x 2	x 2	x 1
U8419	x 2	x 2	-	-	x 1
U8420	x 2	x 2	-	-	x 1
U8421	x 2	x 2	-	-	x 1
U8422	x 2	x 2	-	-	x 1
U8423	x 2	x 2	-	-	x 1
U8424	x 2	x 2	-	-	x 1



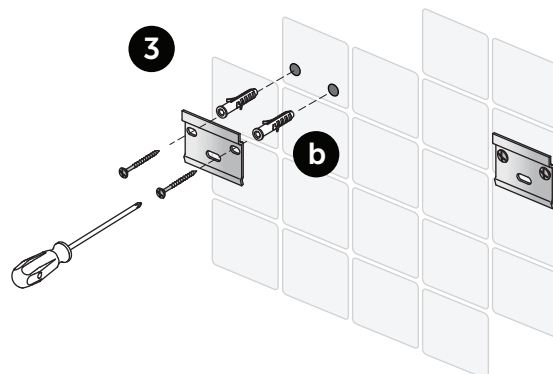
1



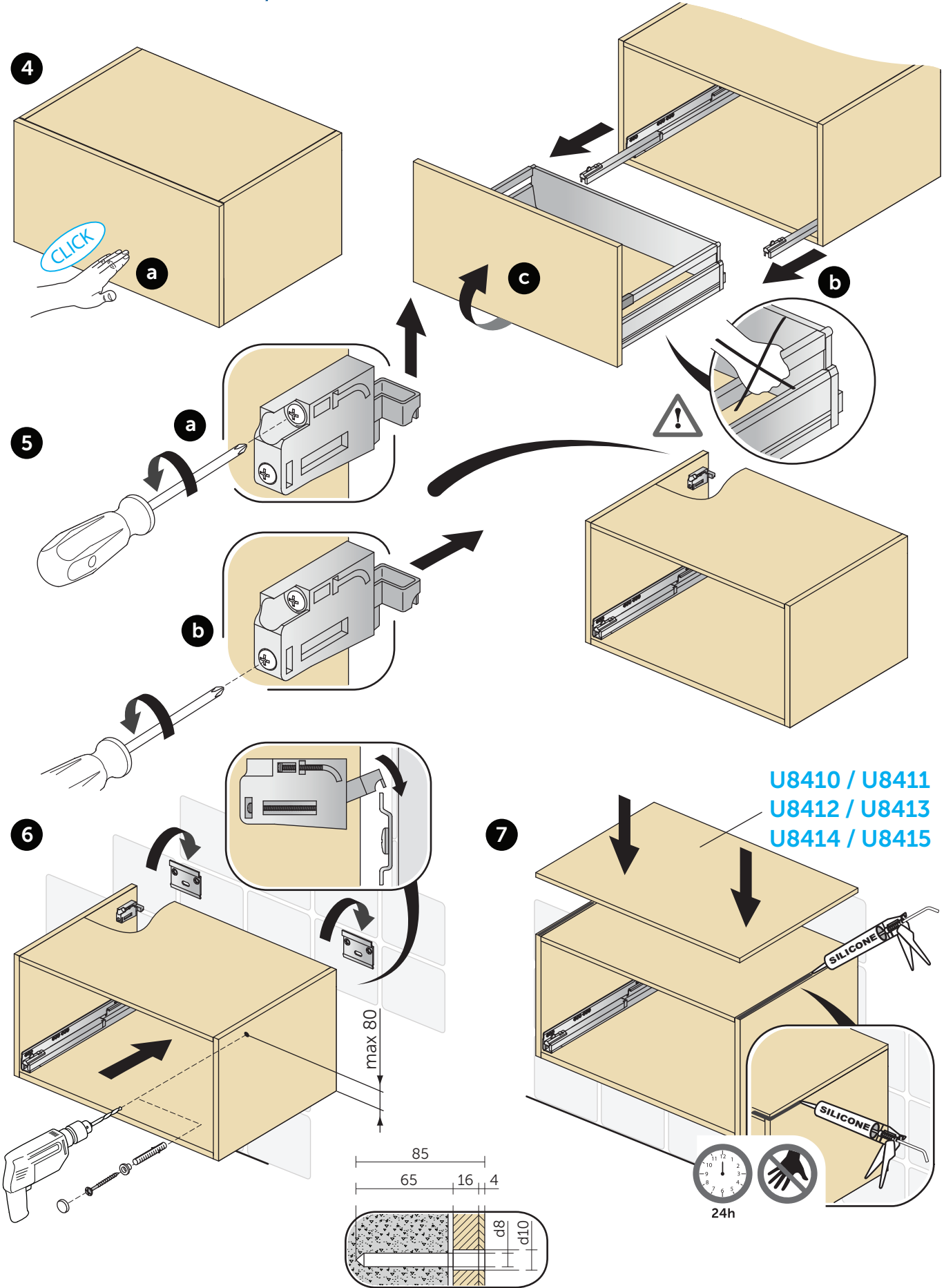
2



3

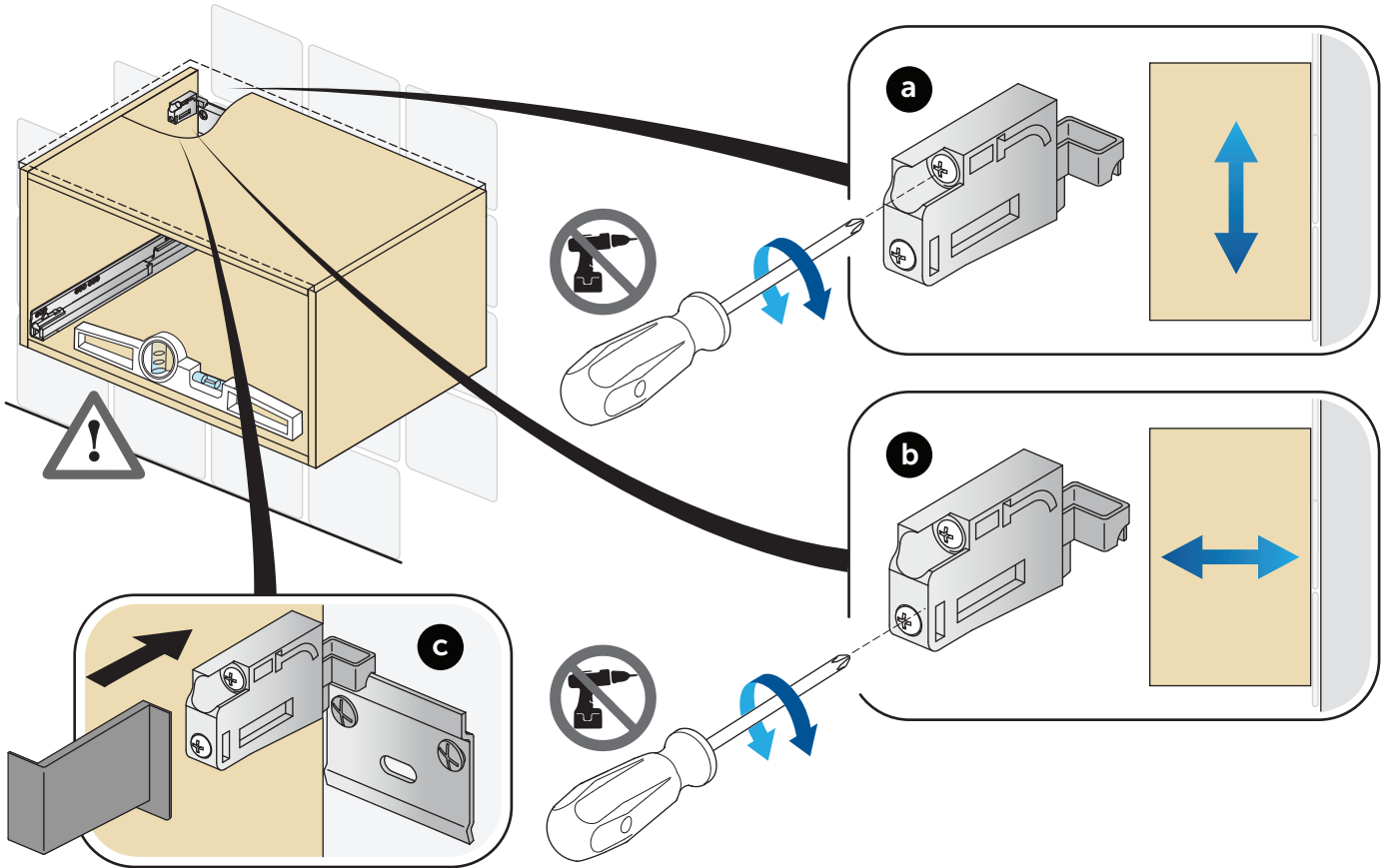


BASE UNIT / SIDE UNIT

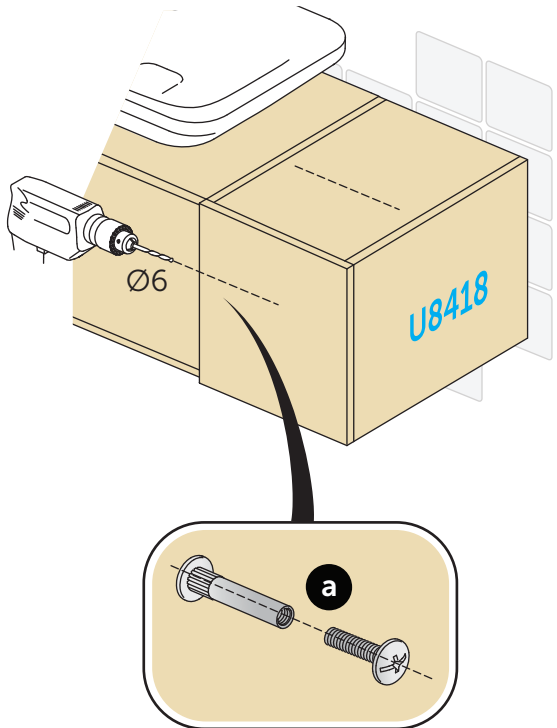
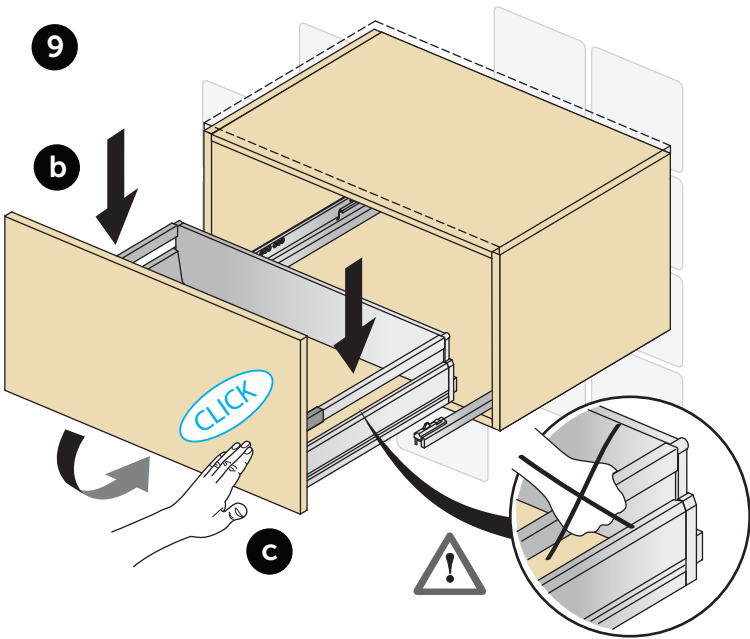


BASE UNIT / SIDE UNIT

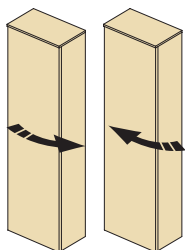
8



9

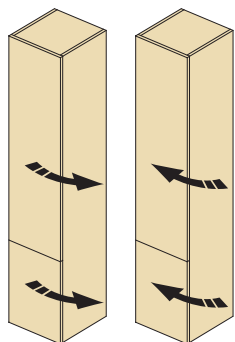


COLUMN



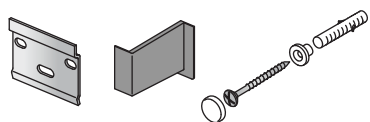
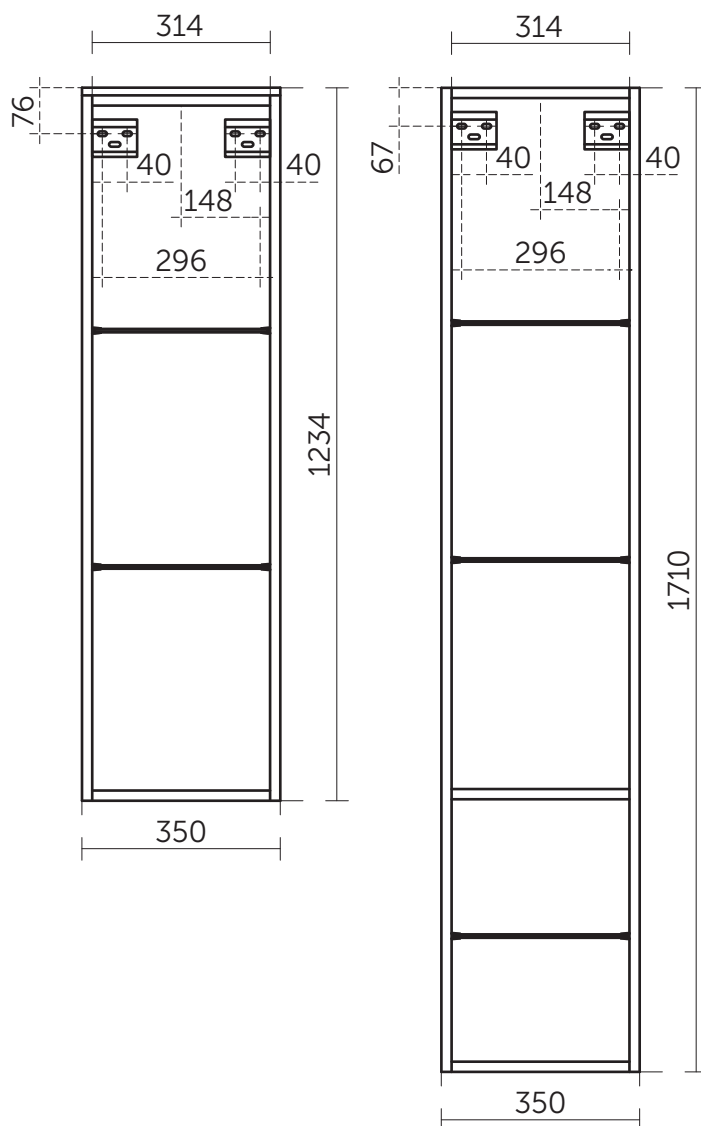
U8400 U8506

352 x 213 x 1234

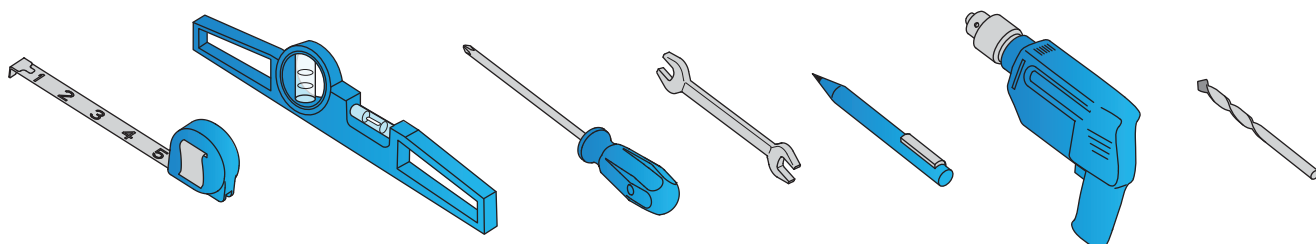


U8401 U8507

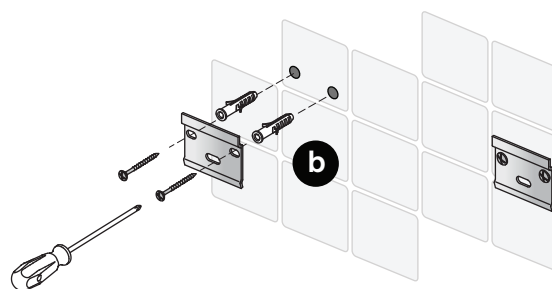
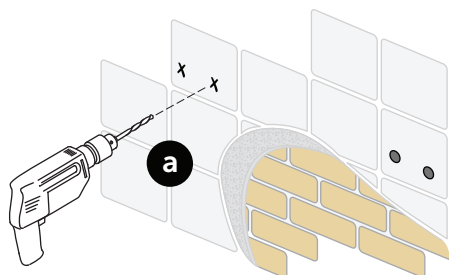
350 x 370 x 1710



U8400	x 2	x 2	x 1
U8401	x 2	x 2	x 1
U8506	x 2	x 2	x 1
U8507	x 2	x 2	x 1

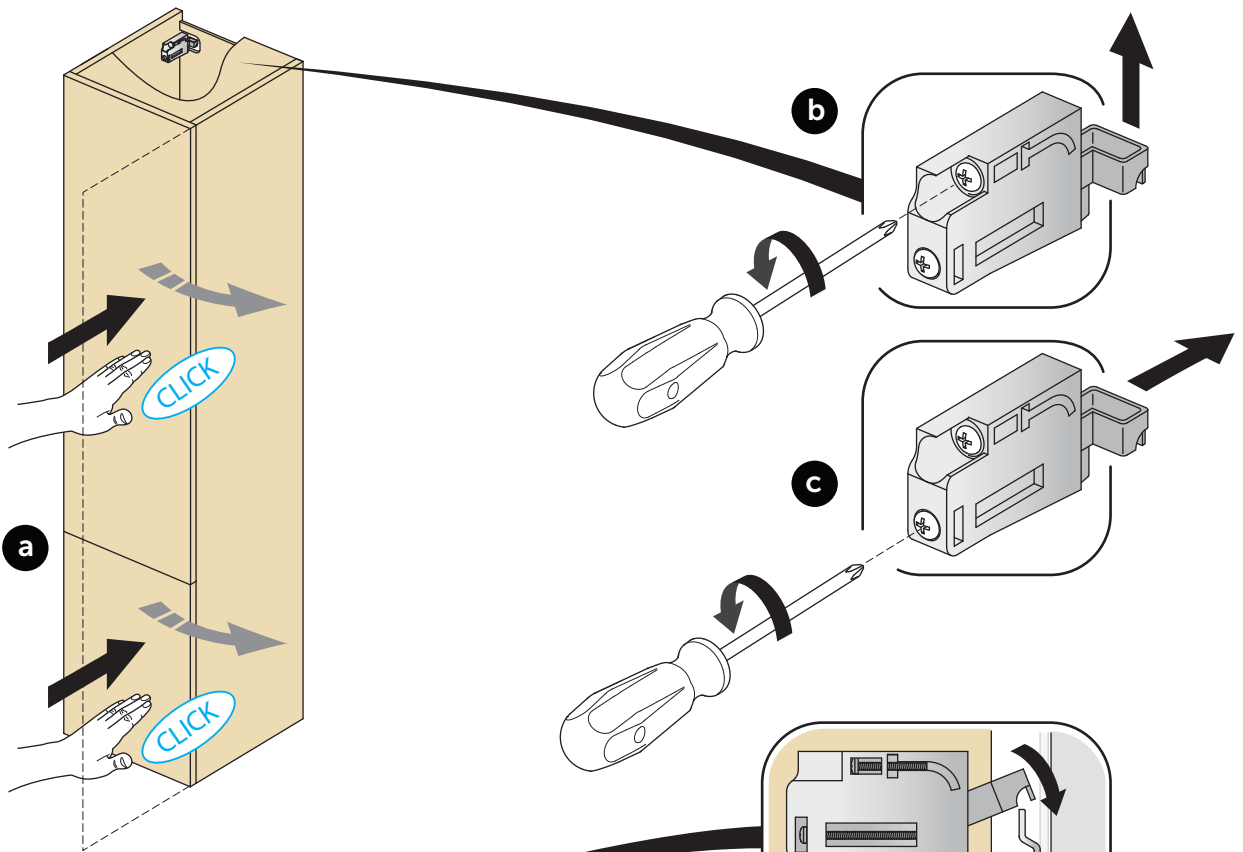


1

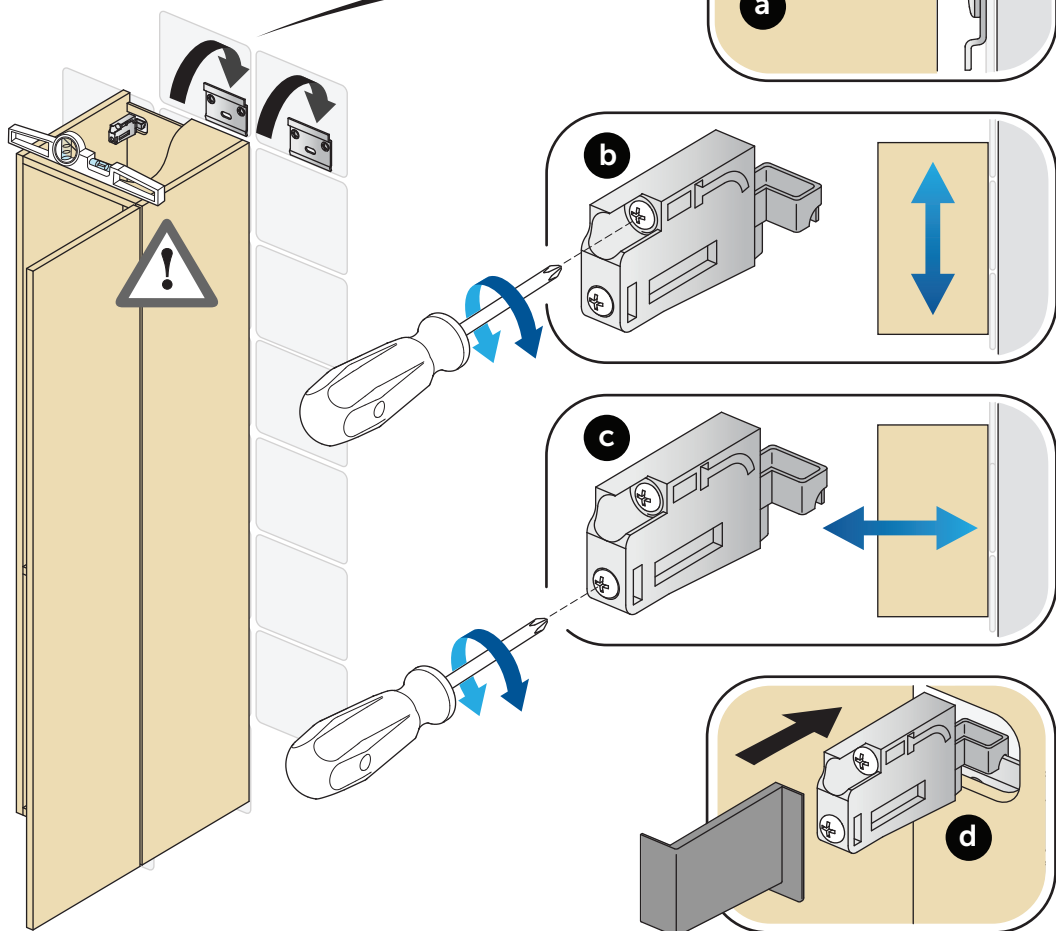


COLUMN

2

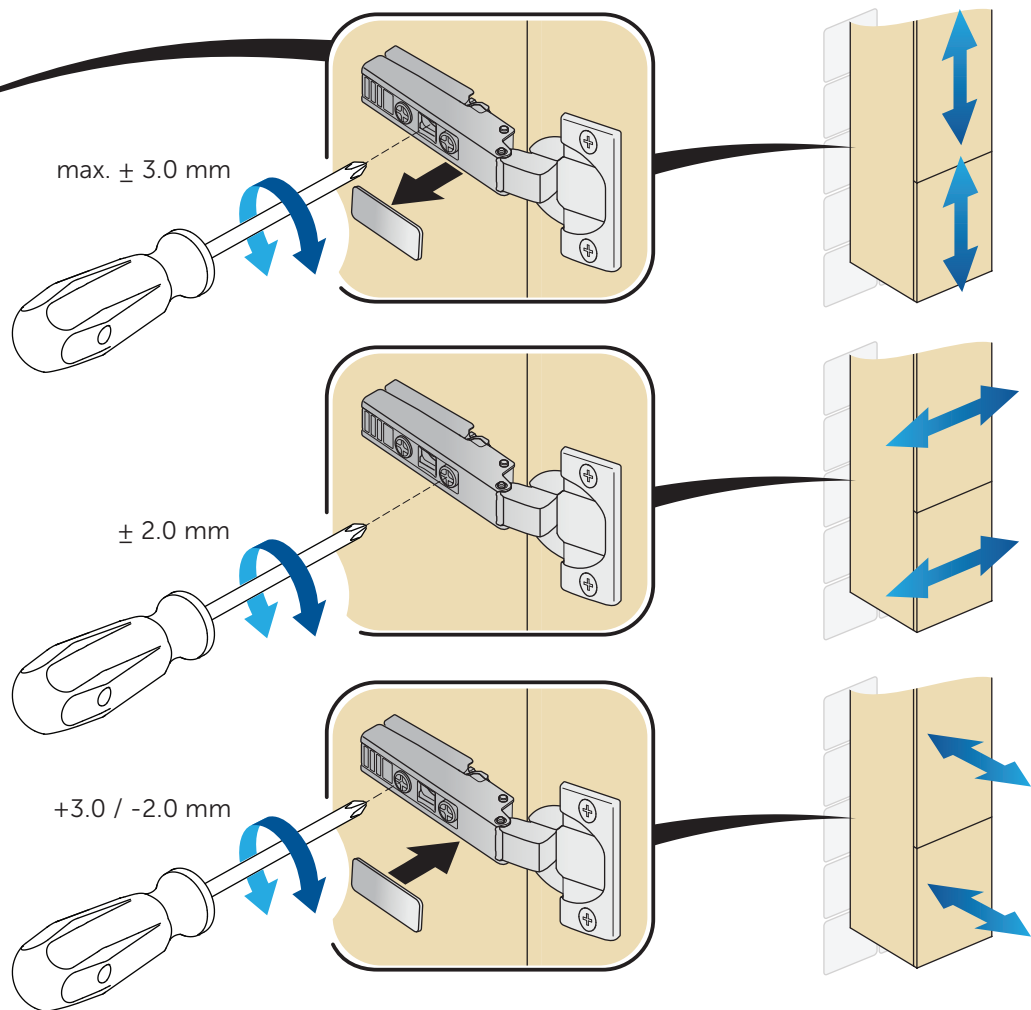
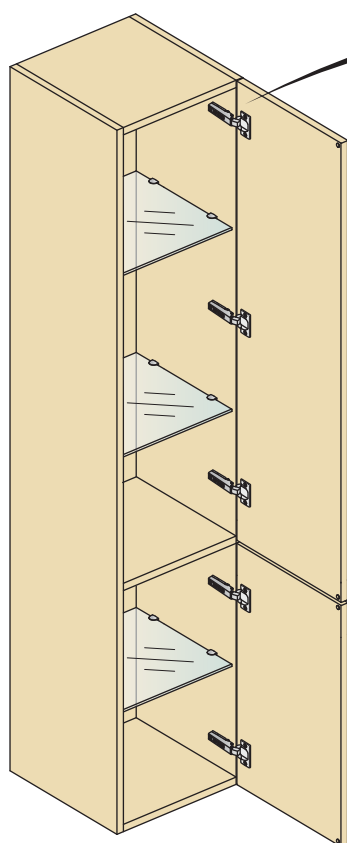
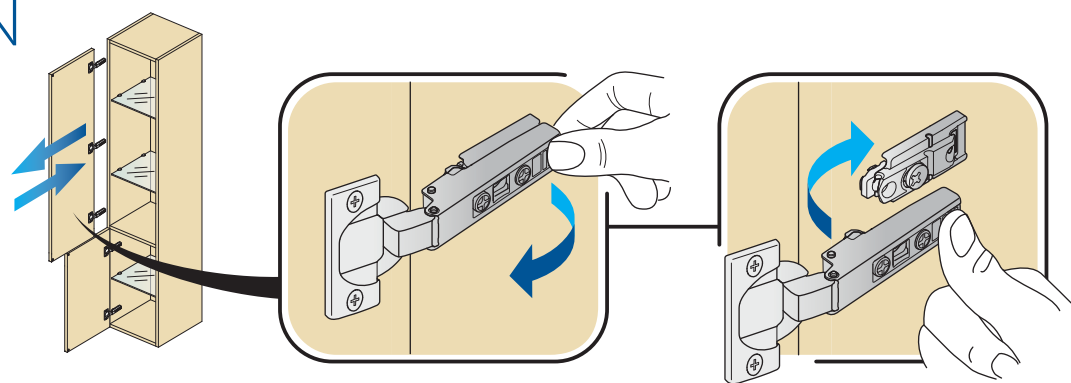


3

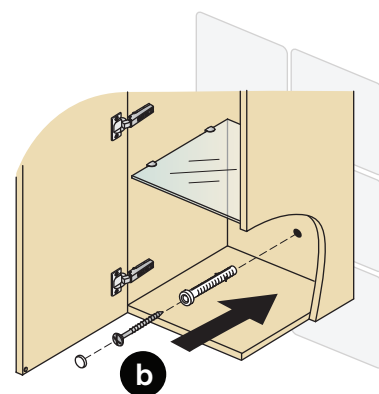
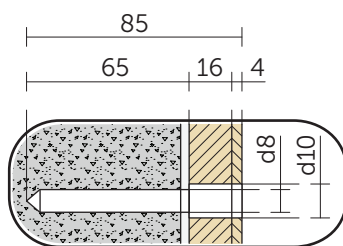
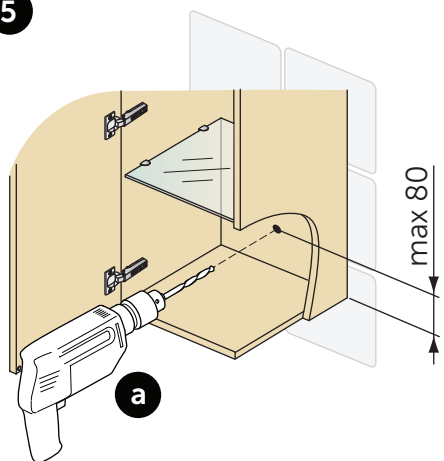


COLUMN

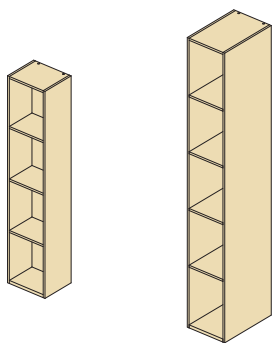
4



5



OPEN COLUMN



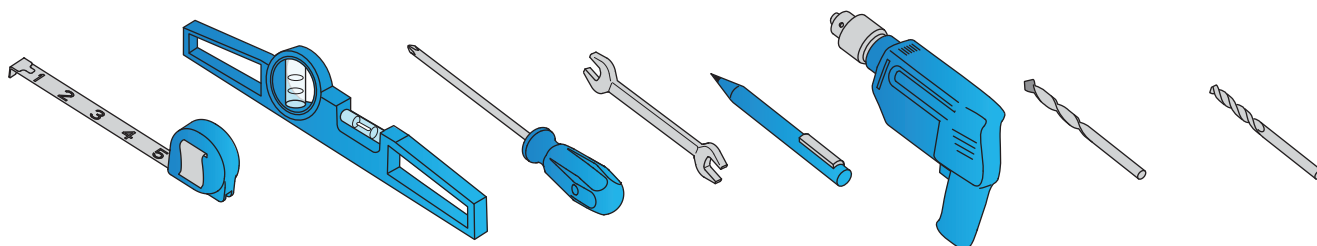
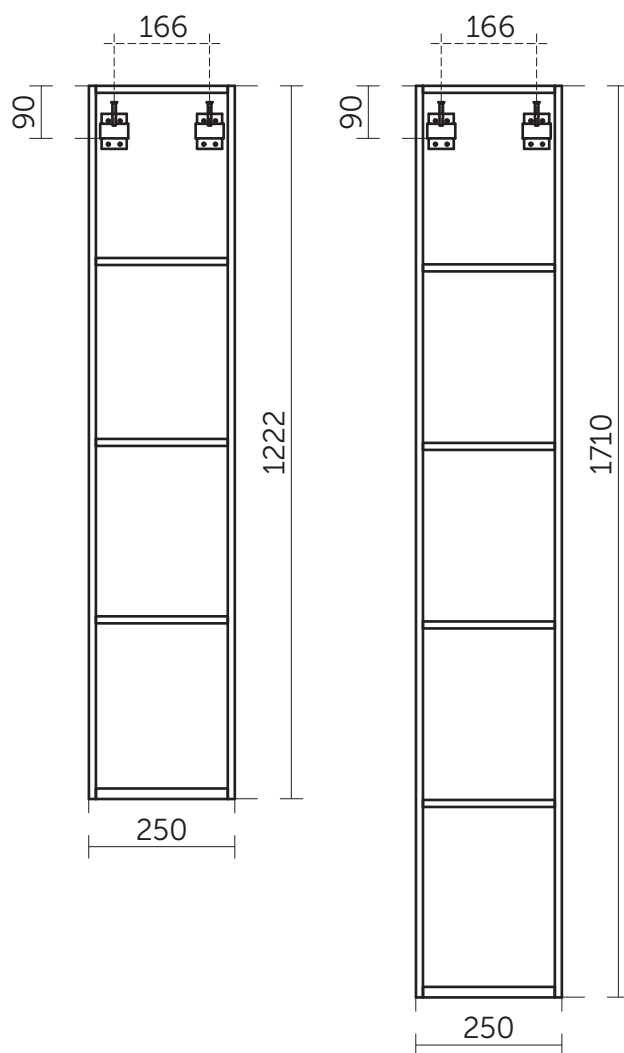
U8402
250 x 208 x 1222

U8403
250 x 370 x 1710

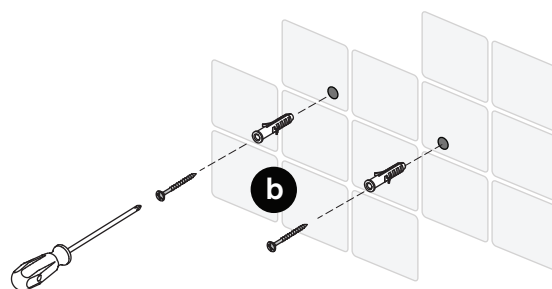
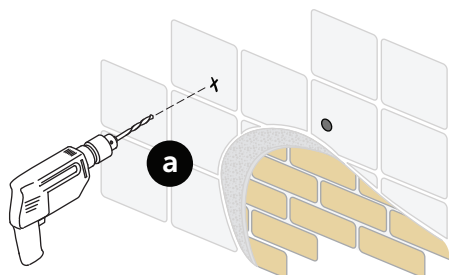


U8402 x **1**

U8403 x **1**

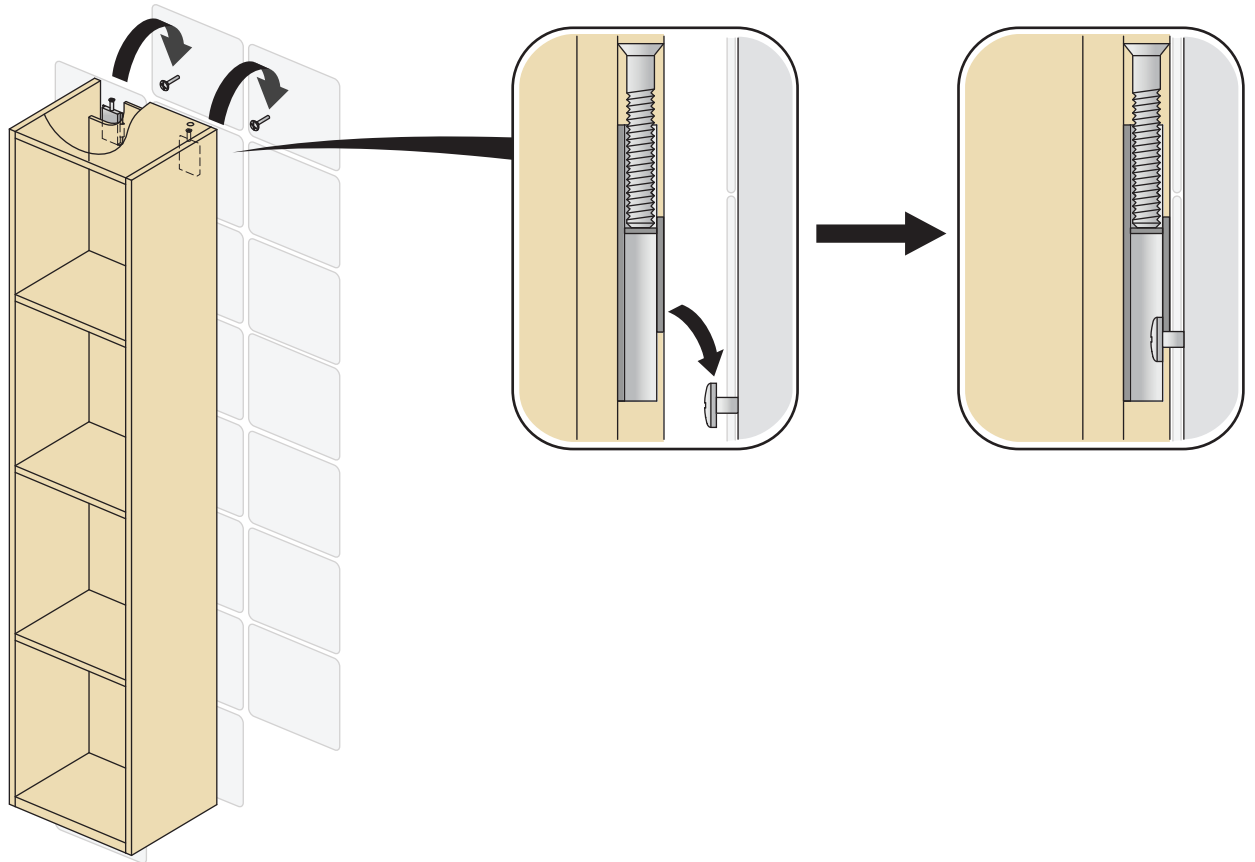


1

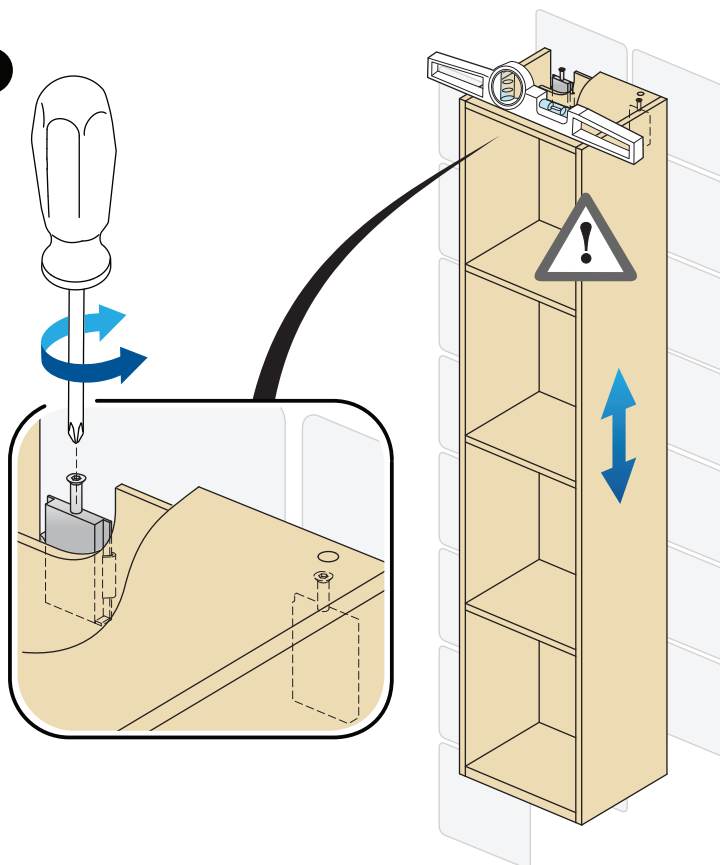


OPEN COLUMN

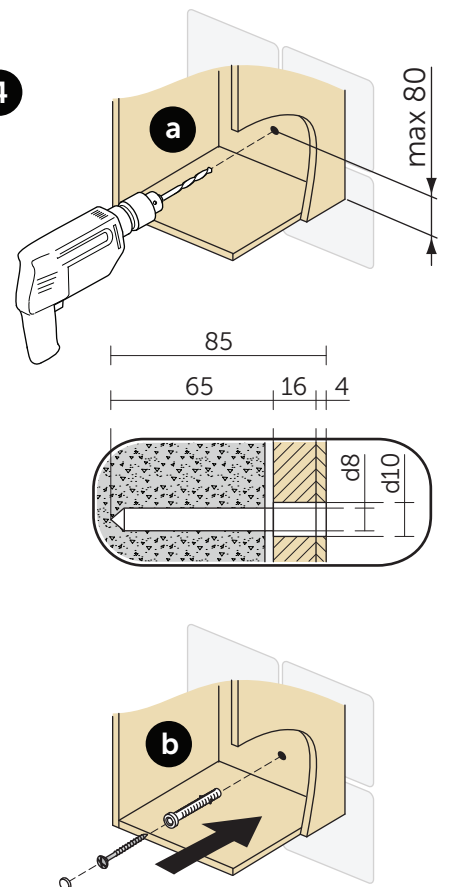
2



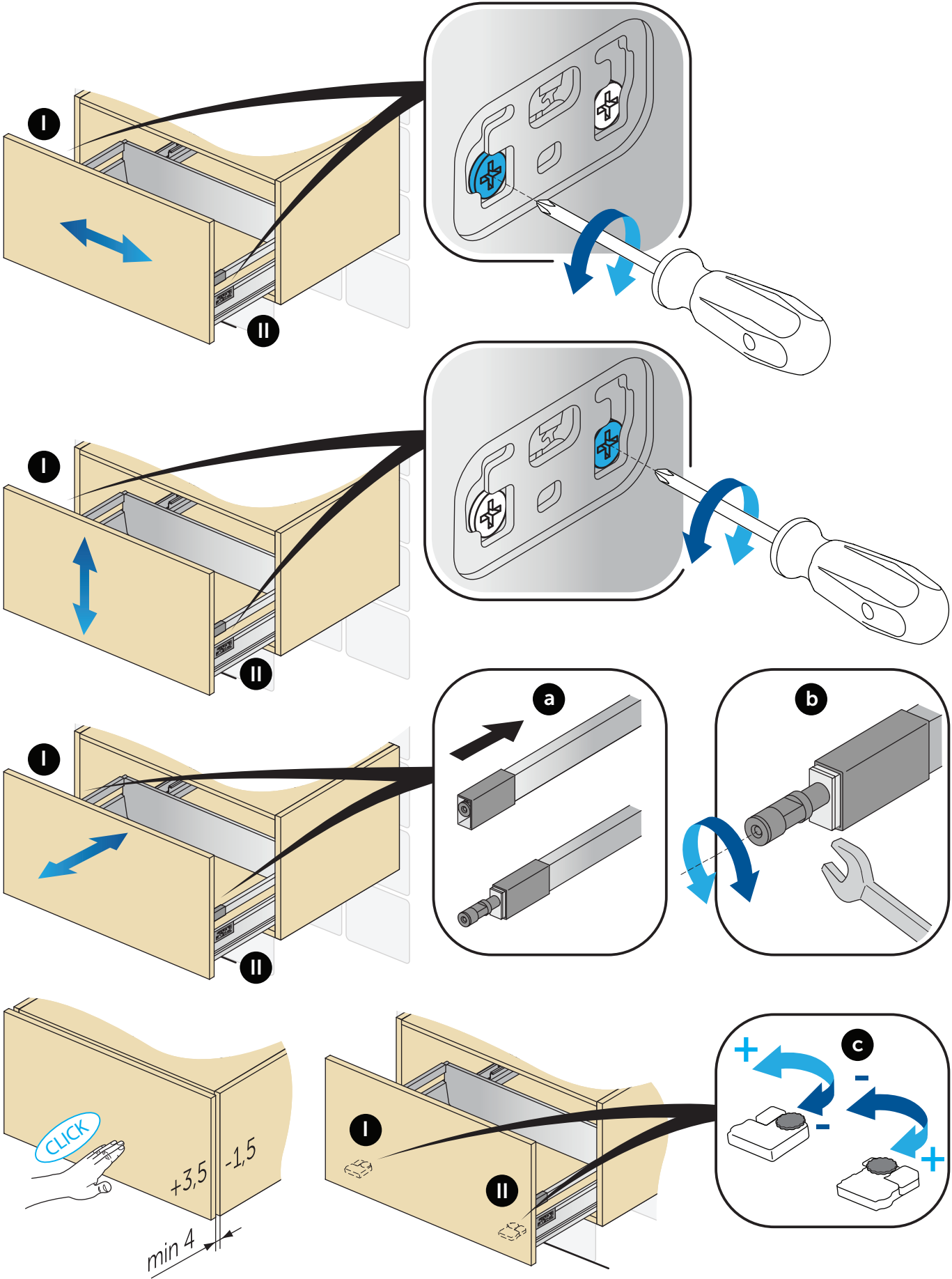
3



4



DRAWER ADJUSTMENT



PRODUCT SHEET

U8394	Ippari BASIN UNIT 50 CM
U8395	Ippari BASIN UNIT 60 CM
U8396	Ippari BASIN UNIT 70 CM
U8397	Ippari BASIN UNIT 85 CM
U8398	Ippari BASIN UNIT 105 CM
U8399	Ippari BASIN UNIT 120 CM
U8400	Ippari HALF COLUMN 35 CM RH
U8506	Ippari HALF COLUMN 35 CM LH
U8401	Ippari FULL COLUMN 35 CM RH
U8507	Ippari FULL COLUMN 35 CM LH
U8402	Ippari OPEN 1/2 COL 25 CM
U8403	Ippari OPEN FULL COL 25 CM
U8404	Ippari CONSOLE 50 CM
U8405	Ippari CONSOLE 60 CM
U8406	Ippari CONSOLE 70 CM
U8407	Ippari CONSOLE 85 CM
U8408	Ippari CONSOLE 105 CM
U8409	Ippari CONSOLE 120 CM
U8410	Ippari W/TOP 25 CM
U8411	Ippari W/TOP 35 CM
U8412	Ippari W/TOP 50 CM
U8413	Ippari W/TOP 60 CM
U8414	Ippari W/TOP 70 CM
U8415	Ippari W/TOP 85 CM
U8416	Ippari W/TOP 105 CM
U8417	Ippari W/TOP 120 CM
U8418	Ippari SIDE UNIT H35 X 35 CM
U8419	Ippari BASE UNIT H24 X 25 CM
U8420	Ippari BASE UNIT H24 X 35 CM
U8421	Ippari BASE UNIT H24 X 50 CM
U8422	Ippari BASE UNIT H24 X 60 CM
U8423	Ippari BASE UNIT H24 X 70 CM
U8424	Ippari BASE UNIT H24 X 85 CM
U8425	Ippari ONDA TOWEL RAIL
U8426	Ippari BORDO TOWEL RAIL
U8427	Ippari CUBO TOWEL RAIL

Types of materials

- Body: laminated wood fibreboard panels lacquered in 4 gloss colours - Gloss White (WG), Gloss Soft Grey (EB), Gloss Soft Brown (EL), Gloss Dark Blue (GL) and oak-veneered wood fibreboard panels in Tabacco (KH) and Dark Oak (KO).
 - Front: MDF polyester-coated door lacquered in 4 gloss colours - Gloss White (WG), Gloss Soft Grey (EB), Gloss Soft Brown (EL), Gloss Dark Blue (GL) and oak veneered wooden door in Tabacco (KH) and Dark Oak (KO).
 - Metal drawer white powder painted Blum Tandembox with push to open system.
 - Door with soft-closing hinge.
 - Internal glass shelf 6 mm thickness.
 - Worktop: laminated wood fibreboard panels lacquered in 4 gloss colours - Gloss White (WG), Gloss Soft Grey (EB), Gloss Soft Brown (EL), Gloss Dark Blue (GL) and oak-veneered wood fibreboard panels in Tabacco (KH) and Dark Oak (KO).
 - Hardware: steel and material oxidation resistant and properly developed.
- All the semi-finished parts and raw materials utilised in our products are environmentally friendly in particular, they have low formaldehyde content (class E1).

Product life-cycle

At the end of its useful life, entrust the unit to the local waste disposal company.

Maintenance and Cleaning

- Wipe down with a damp cloth or a gentle detergent and dry carefully. Do not use any solvents or abrasive substances for cleaning.
- Spilt liquids must be wiped up immediately using a cloth; thereafter, dry the surface with a clean dry cloth.

Safety

- Do not place more than a 2 Kg load on each shelf
- Do not apply pressure of more than 10 Kg on open drawers
- Product with electrical connections should only be installed and fixed by qualified electrician, who will install it in accordance to the installation manuals and the norms in force in the country.
- Incorrect installation and/or use of the item for any purpose other than that for which it was intended can be dangerous or cause possible injury to users.
- When cleaning or using the bathroom, please take care for all furniture having integrated lights or other electric parts, to avoid direct contact with water or moisture.
- The products should be installed in a bathroom with adequate ventilation.



The Bathroom Works
National Avenue
Kingston-upon-Hull
HU5 4HS, England
Customer care line:
Tel.: +44 (0)870 129 6085
Fax: +44 (0)1482 499 902

sottini

SIMPLY IMAGINE

ver.04-04/2020