

HANSAELECTRA

INSTALLATION AND MAINTENANCE GUIDE





4



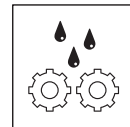
5-10



11



12



12-15



HANSA App



hansa.com/hansa-app

Apple and the Apple logo are trademarks of Apple Inc., registered in the U.S. and other countries. App Store is a service mark of Apple Inc., registered in the U.S. and other countries.

Google Play and the Google Play logo are trademarks of Google Inc.

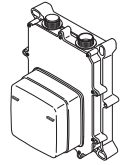
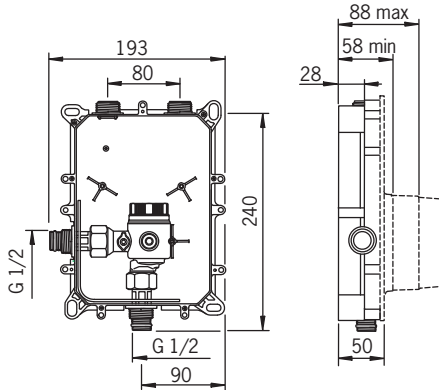
The Bluetooth® word mark and logos are registered trademarks owned by the Bluetooth SIG, Inc. and any use of such marks by Hansa Armaturen GmbH is under license. Other trademarks and trade names are those of their respective owners.



0945 0170

EN 15091
50 - 1000 kPa
0.44 l/s (300 kPa)
65 kPa (0.2 l/s)

EMC 2014/30/EU

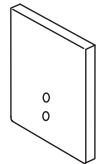
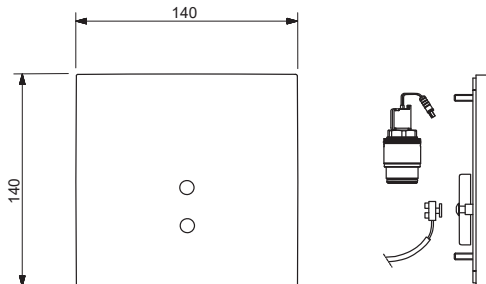


mpi.hansa.com/09450170

0946 9179 (12VDC)

EN 15091
50 - 1000 kPa
0.58 l/s (300 kPa)
40 kPa (0.2 l/s)
max. +70°C
IP 55

EMC 2014/30/EU

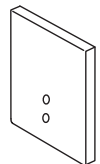
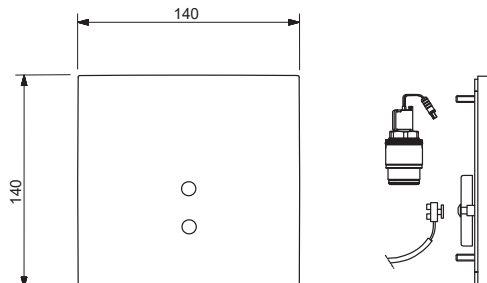


mpi.hansa.com/09469179

0947 9279 (6V)

EN 15091
50 - 1000 kPa
0.58 l/s (300 kPa)
40 kPa (0.2 l/s)
max. +70°C
Lithium 2CR5 6 V
IP 55

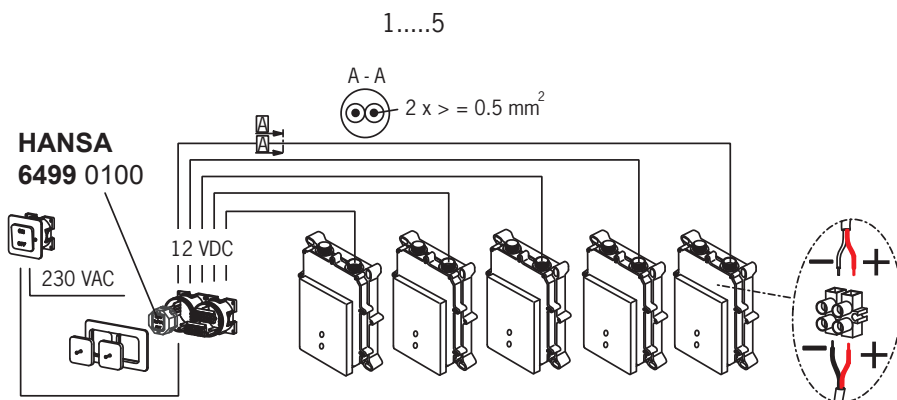
EMC 2014/30/EU



mpi.hansa.com/09469179

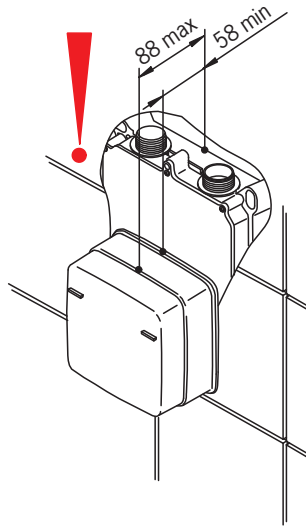
- GB** Power supply requirement: Power supply output must be short circuit protected
- CZ** Požadavky týkající se napájecího zdroje: Výstup napájecího zdroje musí být chráněn proti zkratu
- DE** Stromversorgungs voraussetzungen: Stromversorgungsspannung muss kurzschlussgeschützt sein.
- DK** Krav til strømforsyning: Strømforsyningsudgang skal være kortslutningsbeskyttet
- EE** Nõuded vooluallikale: Vooluallika väljund peab olema kaitstud lühise eest
- ES** Requisitos del suministro eléctrico: el suministro eléctrico debe estar protegido contra cortocircuitos
- FI** Vaatimukset virtälähteelle: Virtälähteen ulostulon tulee olla oikosulkusuojattu
- FR** Unité d'alimentation électrique: La sortie de l'unité d'alimentation oit être protégée contre le court-circuit
- IT** Requisiti dell'alimentazione: L'uscita deve essere protetta da cortocircuiti
- LT** Reikalavimai maitinimo šaltiniui: turi būti apsauga nuo trumpo jungimo
- LV** Prasības attiecībā uz barošanas ierīci: ierīces izvadam jābūt aizsargātam pret īsslēgumiem
- NL** Vereisten voor de voeding: De uitgang van de voeding moet beschermd zijn tegen kortsluitingen
- NO** Krav til strømforsyning: Strømforsyningsspennning må være kortslutningssikkert
- PL** Wymagania w stosunku do zasilacza: Zasilacz musi być wyposażony w zabezpieczenie przeciwzwarciowe
- RO** Pentru alimentarea cu putere: borma de putere trebuie să fie protejată la scurtcircuit
- RU** Требования к источнику тока: Выход источника тока защищен от короткого замыкания
- SE** Krav på matningsdon: Utspänningen skall vara kortslutningssäker
- SK** Požiadavka na napájanie: Výstup napájania musí byť chránený voči skratu.
- UA** Вимоги до джерела струму: Вихід джерела струму захищений від короткого замикання.
- PT** Requisitos de alimentação eléctrica: a alimentação eléctrica deve estar protegida contra curto-circuito.
- GR** Προϋποθέσεις για αδιάλειπτη παροχή ρεύματος: Τάση εξόδου ασφαλισμένη έναντι βραχυκυκλώματος
- SI** Zahteva za napajanje: Izhod za napajanje mora biti zaščiten s kratkim stikom
- HU** Áramellátás: A tápegység kimeneténél fontos az érintésvédelmet biztosítani.

HANSA 6499 0100 + 0946 9179 (12 VDC)

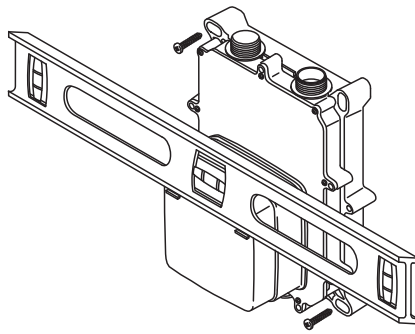




1

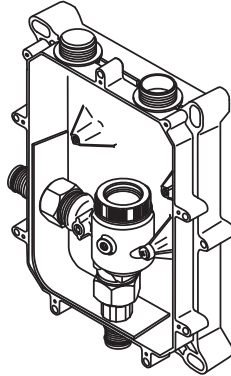


2

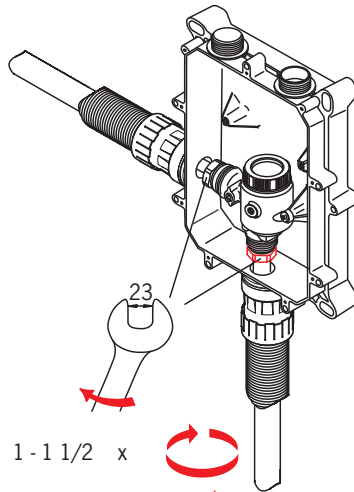




3



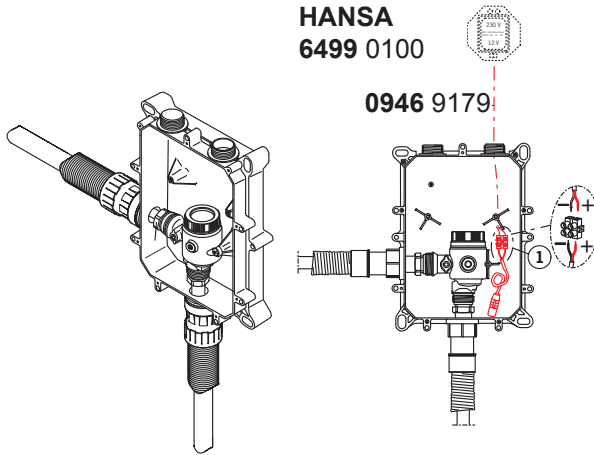
4



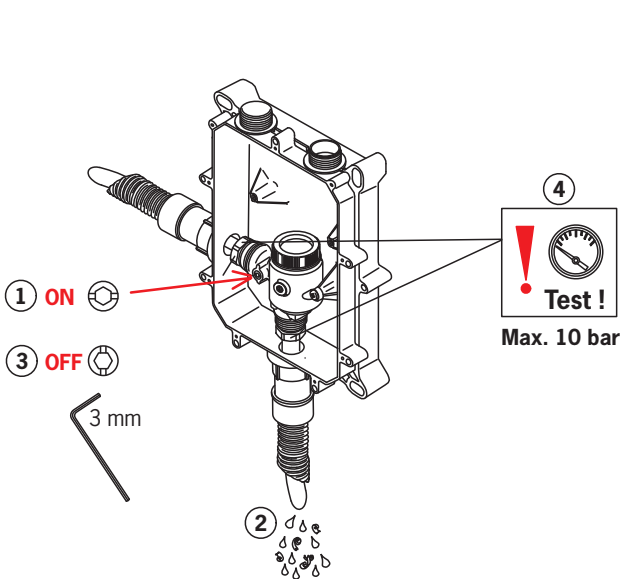
- A** 1 - 1 1/2 x
- B** 1/2 - 1 x
- C** 1/2 - 1 x



5

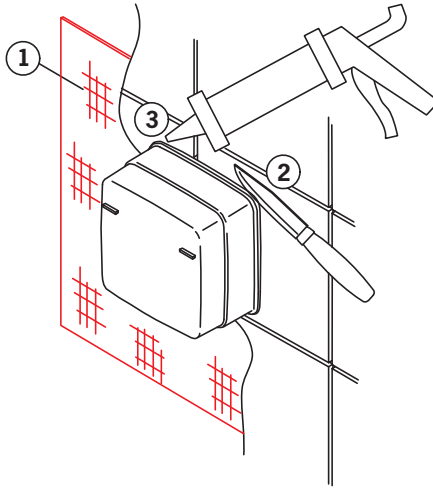


6

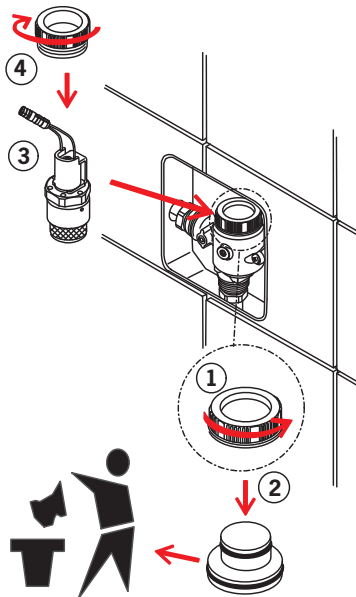




7



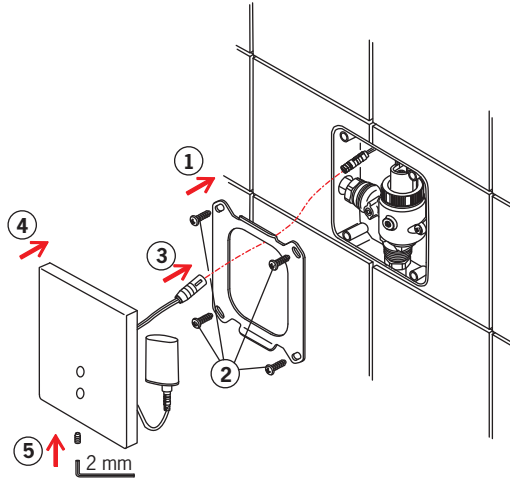
8



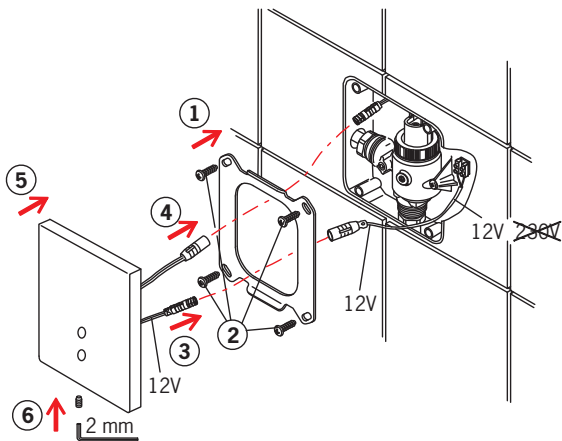


9

0947 9279 (6 V)

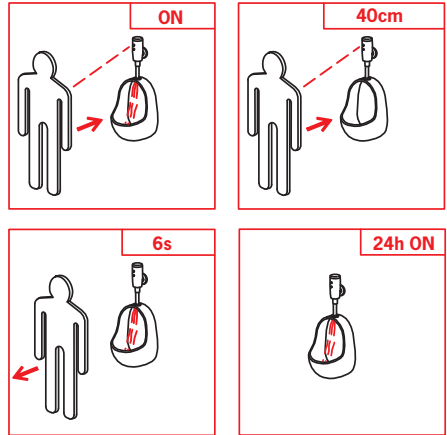
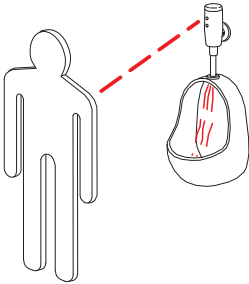


0946 9179 (12 VDC)

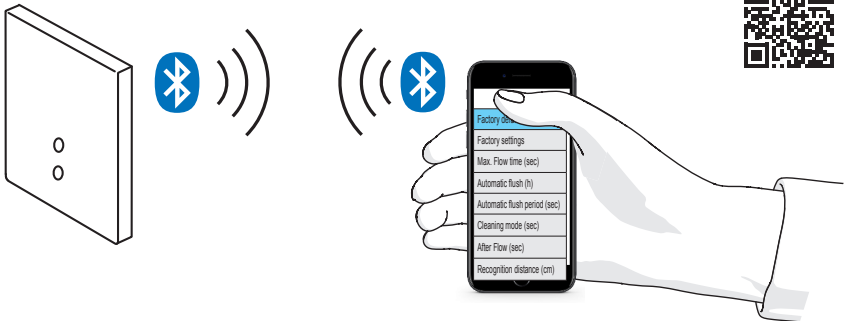




Automatic



Bluetooth®



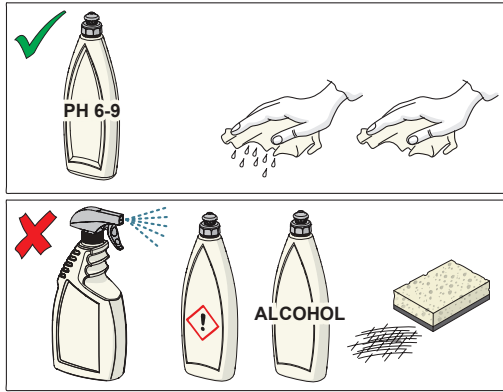
HANSA App

Download on the
App Store

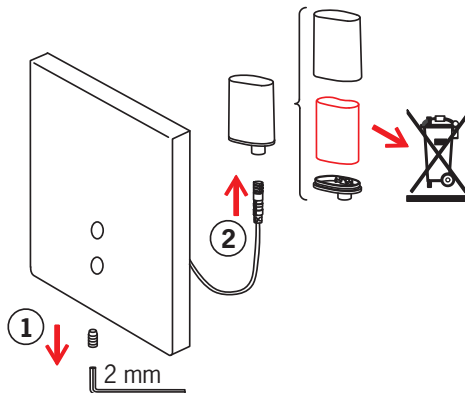
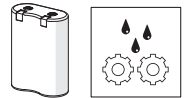
GET IT ON
Google Play

hansa.com/hansa-app



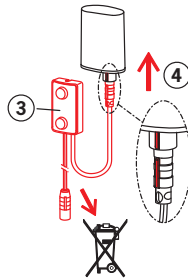
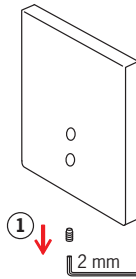
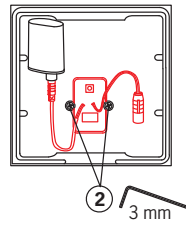
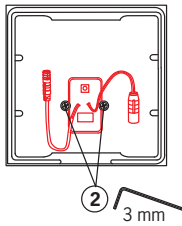


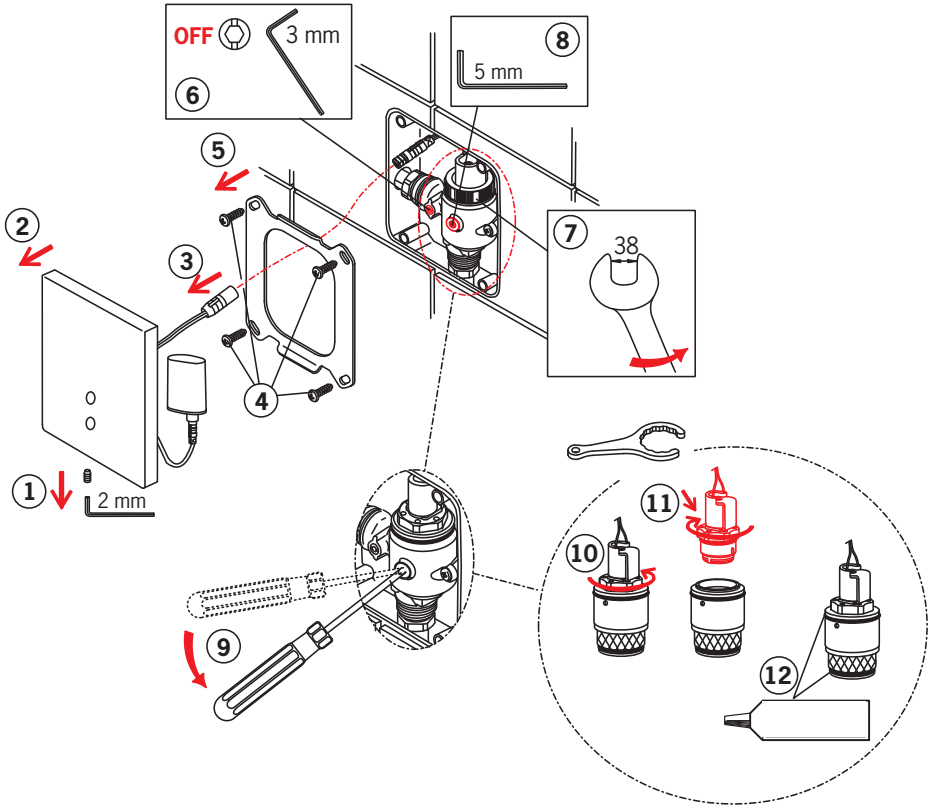
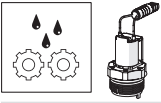
CLEANING.HANSA.COM

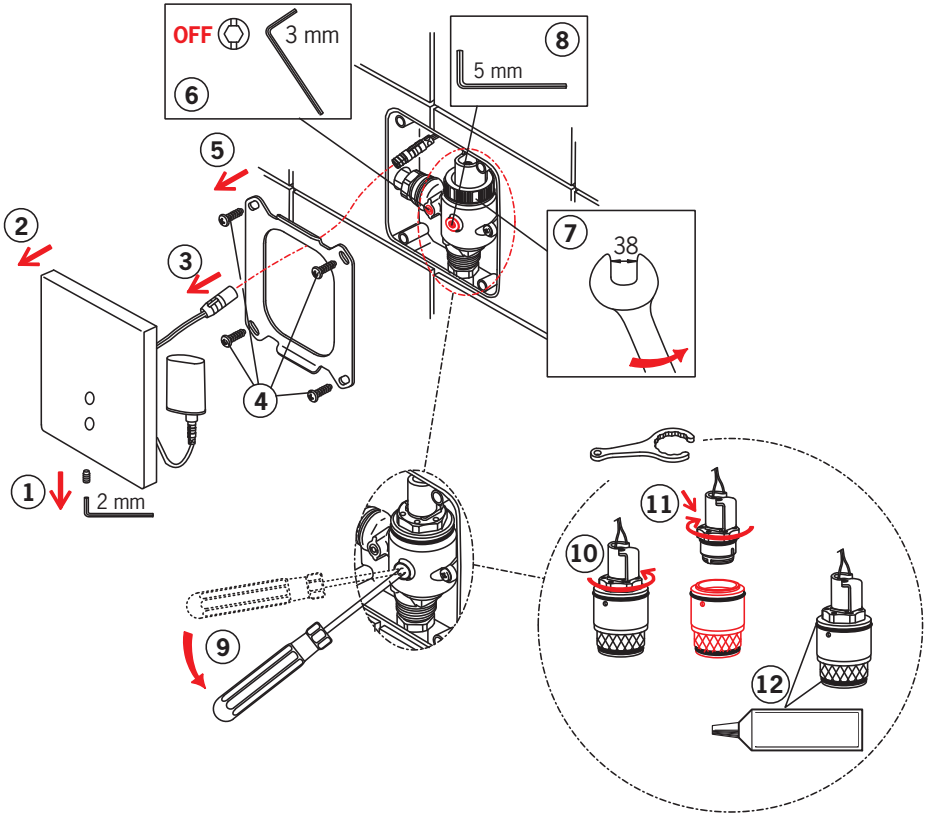


0946 9179 (12 VDC)

0947 9279 (6 V)







Oras Group is a powerful European provider of sanitary fittings: the market leader in the Nordics and a leading company in Continental Europe. The company's mission is to make the use of water easy and sustainable and its vision is to become the European leader of advanced sanitary fittings. Oras Group has two strong brands, Oras and Hansa.

The head office of the Group is located in Rauma, Finland, and the Group has three manufacturing sites: Kralovice (Czech Republic), Olesno (Poland) and Rauma (Finland). Oras Group employs approximately 1400 people in twenty countries. Oras Group is owned by Oras Invest, a family company and an industrial owner.

HANSA Armaturen GmbH
P. O. BOX 81 02 40
D-70519 Stuttgart

Sigmaringer Strasse 107
D-70567 Stuttgart
Tel.: +49 711 16 14 0
Fax: +49 711 16 14 368
info@hansa.de

www.hansa.com



a member of  orasgroup