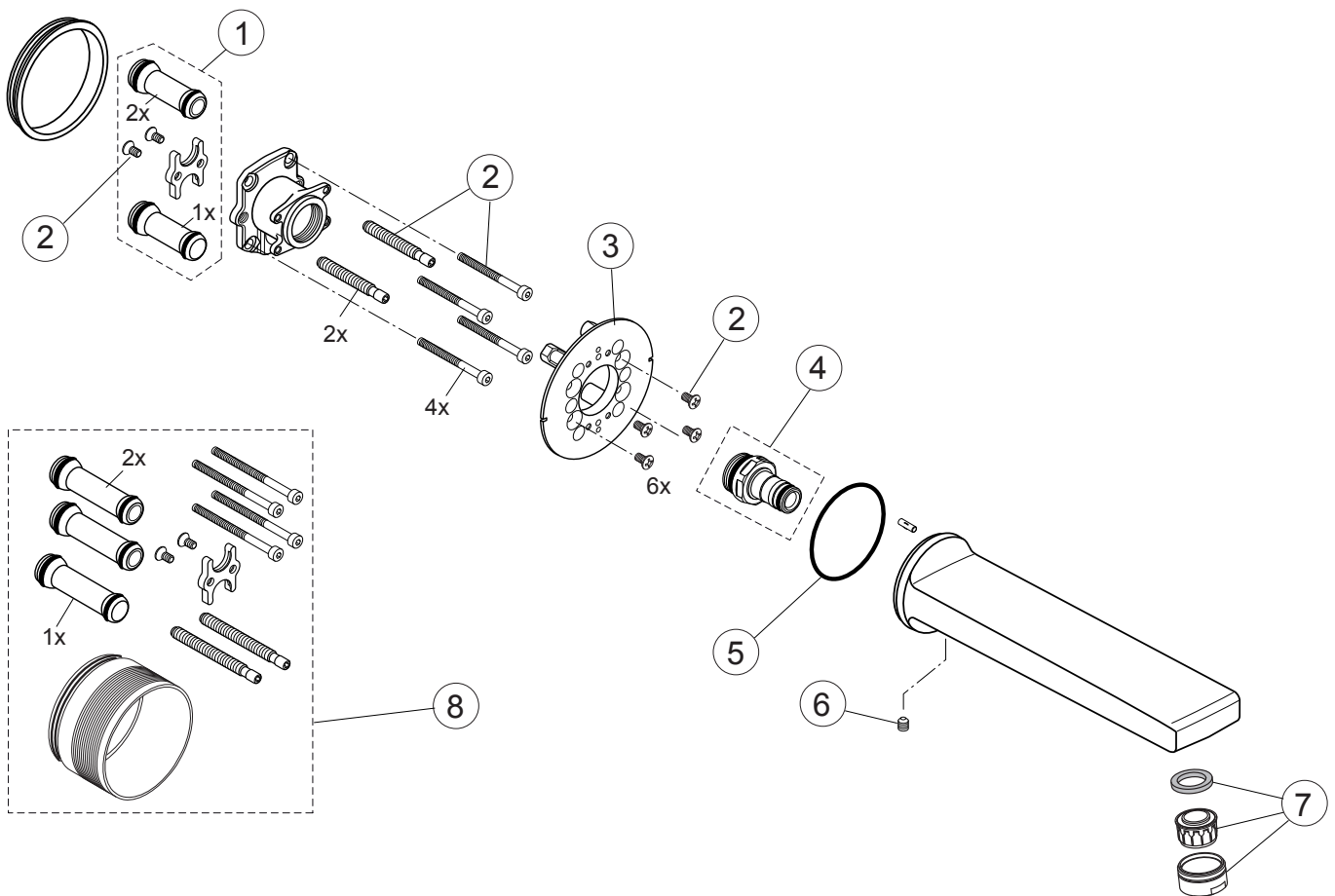
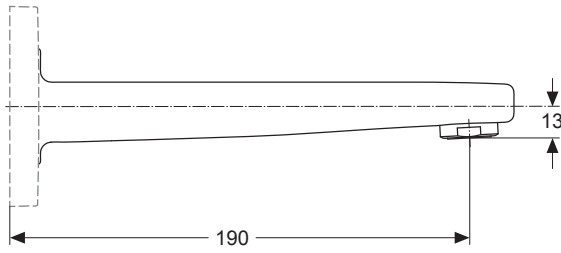


Produced from: Dec. 2020

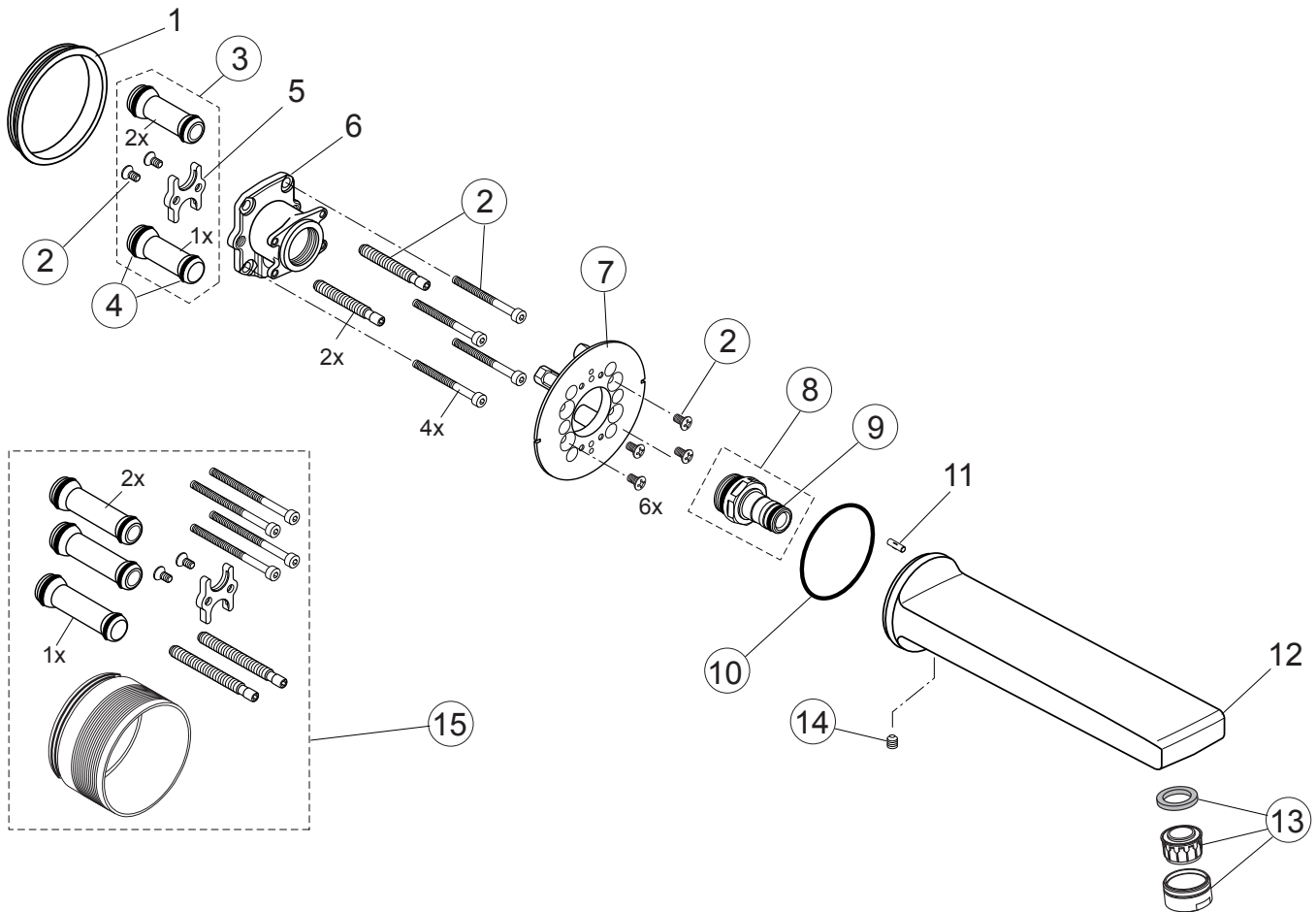
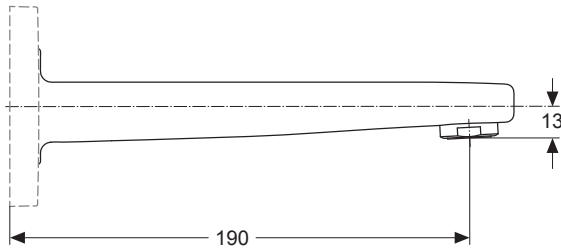
Kit 2 - Spout for Lavy / Bath  
chrome **A1513AA**



Pos.	Description	Part-Number	Qty.	Pos.	Description	Part-Number	Qty.
1	Ball canal / connector	<b>A 860 847 NU</b>	2 pcs				
2	Screw set vol./conn. valve	<b>A 860 842 NU</b>	1 pcs				
3	Escutcheon holder	<b>A 860 853 NU</b>	1 Set				
4	Connector nipple open	<b>A 860 867 NU</b>	1 pcs				
5	O - ring Ø41 x 1,78	<b>A 961 863 NU</b>	1 pcs				
6	Thread pin M5x5	<b>A 962 625 NU</b>	1 Set				
7	Aerator cpl. M24x1 with flow rate class -D- Aerator cpl. M24x1 with flow rate class -A-	<b>A 960 537 AA</b> <b>A 960 321 AA</b>	1 pcs 1 pcs				
8	Extension kit 15mm longer	<b>A 963 738 NU</b>	1 Set				

Produced from: Nov. 2011 - Nov. 2020

Kit 2 - Spout for Lavy / Bath  
chrome **A1513AA**



Replace XX with the appropriate finish code  
chrome = AA,

Example spare part order:  
A 961 132 AA in chrome

Pos.	Description	Part-Number	Qty.	Pos.	Description	Part-Number	Qty.
1	Seal ring			11	Groove pin 3x10 DIN1474		
2	Screw set vol./conn. valve	<b>A 860 842 NU</b>	1 pcs	12	Spout with 190mm projection		
3	Ball canal / connector	<b>A 860 847 NU</b>	2 pcs	13	Aerator compl. M24x1 with flow rate class -D-	<b>A 960 537 XX</b>	1 pcs
4	O-ring set Ø10 + Ø13x2,5	<b>A 860 852 NU</b>	1 Set		Aerator compl. M24x1 with flow rate class -A-	<b>A 960 321 XX</b>	1 pcs
5	Flange / fixation / holder						
6	Body for vol. valve & accessories						
7	Escutcheon holder	<b>A 860 853 NU</b>	1 Set	14	Thread pin M5x5	<b>A 962 625 NU</b>	1 Set
8	Connector nipple open	<b>A 860 867 NU</b>	1 pcs	15	Extension kit 15mm longer	<b>A 963 738 NU</b>	1 Set
9	O - ring Ø10 x 2	<b>A 963 495 NU</b>	2 pcs				
10	O - ring Ø41 x 1,78	<b>A 961 863 NU</b>	1 pcs				