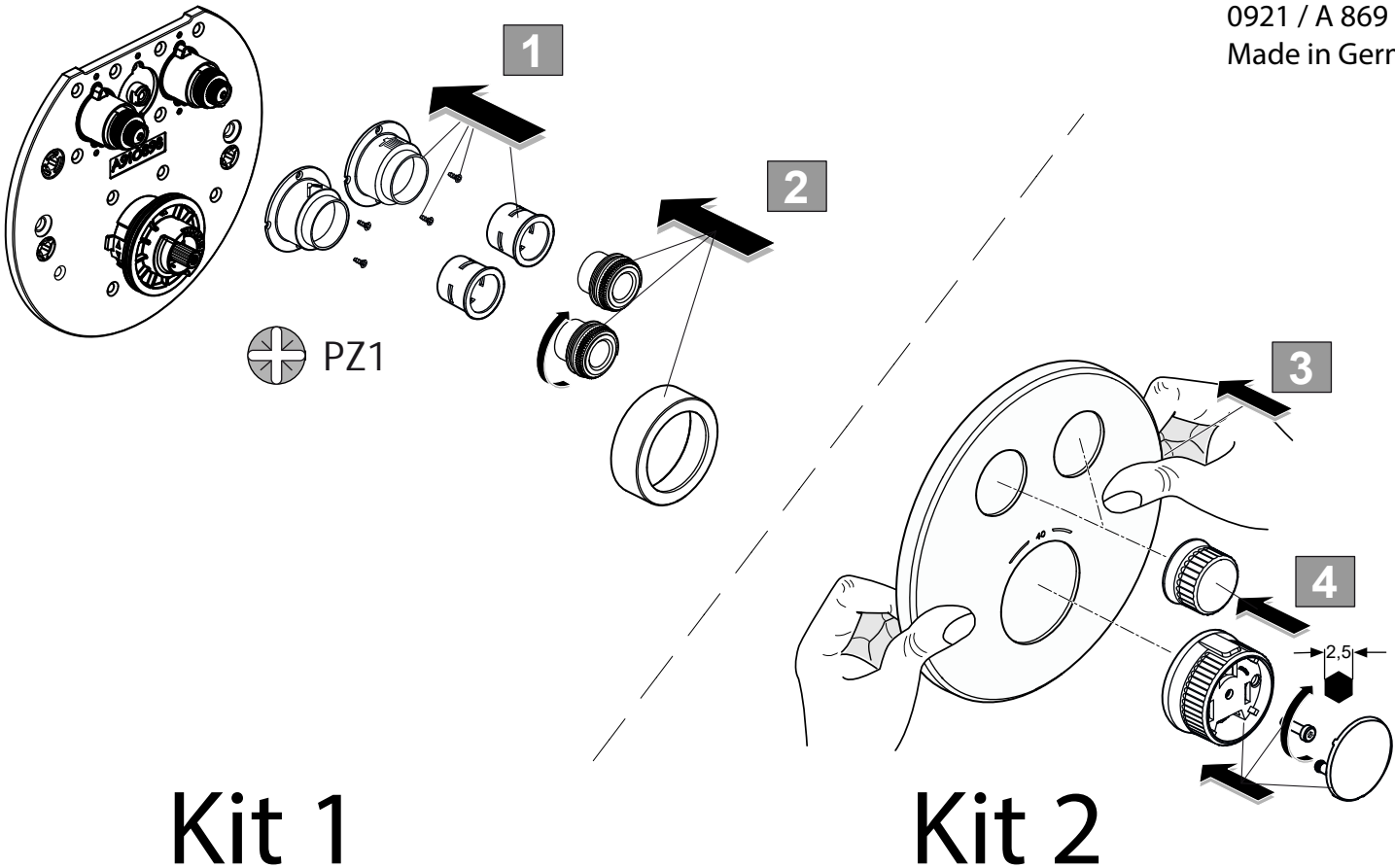


Kit 1

Kit 2



Kit 1

Kit 2