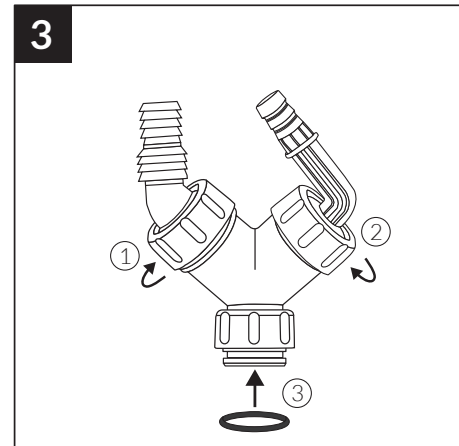
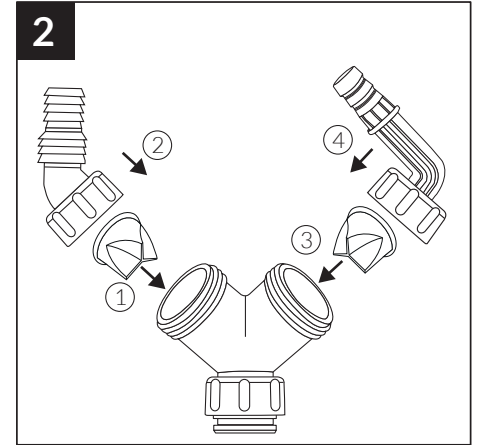
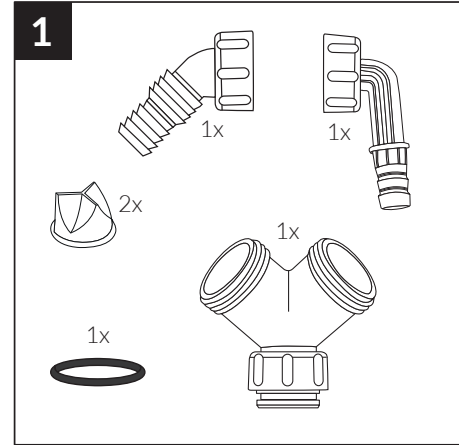


AG = 1"
IG = 1"

#4072.Montageanl



AG = 1"
IG = 1"

#4072.Montageanl

