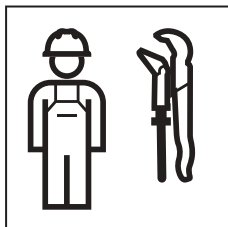
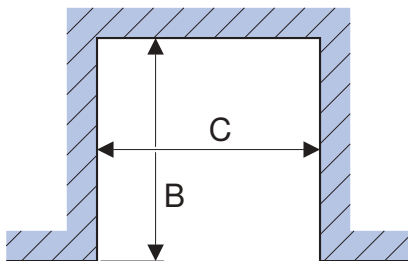
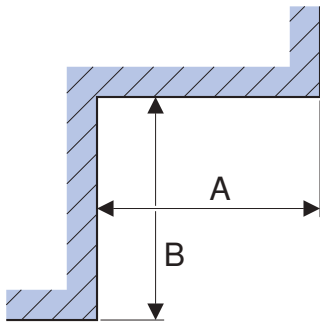
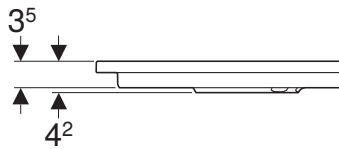
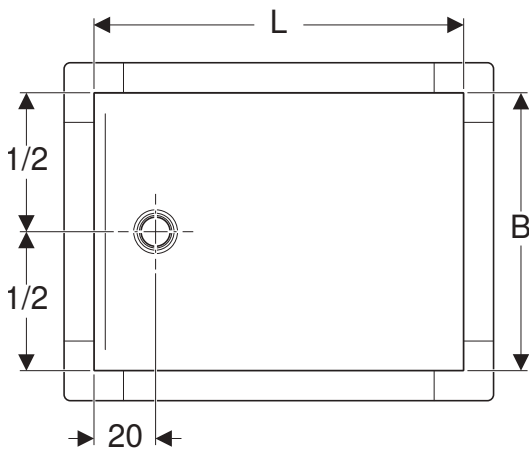


INSTALLATION MANUAL

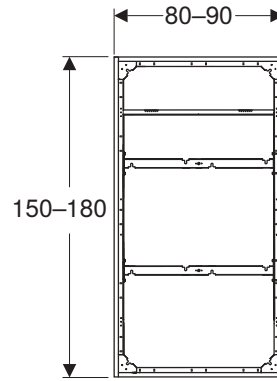
MONTAGEANLEITUNG
INSTRUCTIONS DE MONTAGE
ISTRUZIONI PER IL MONTAGGIO

**KNOW
HOW
INSTALLED**

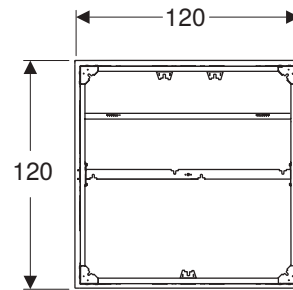




A	B	C
+ 0 ⁵	+ 0 ⁵	+ 1



➔ **1** 3



➔ **2** 13

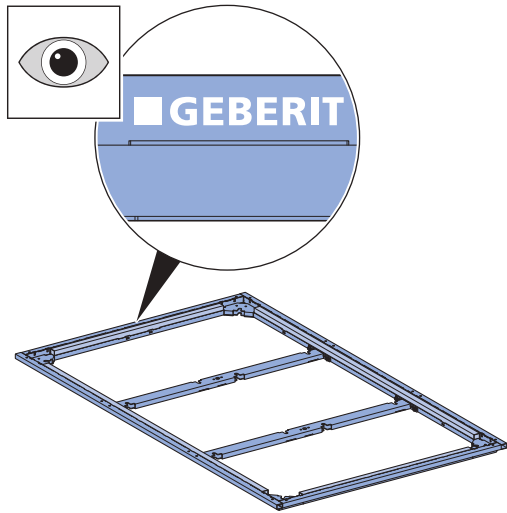


1

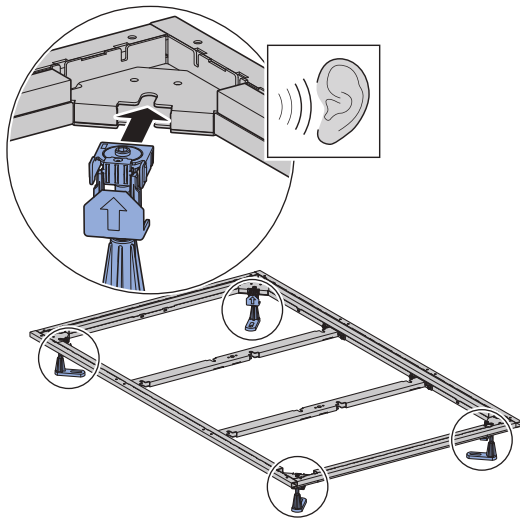
1

A

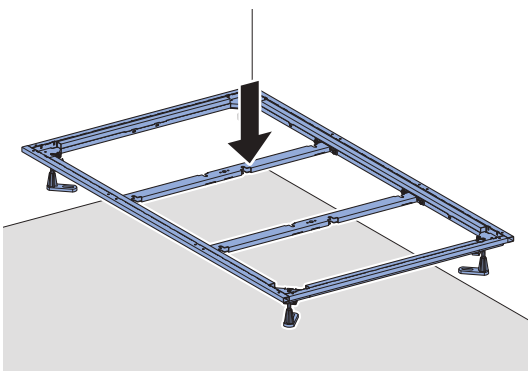
1



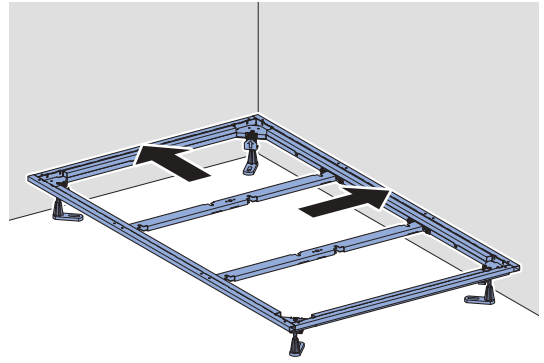
2



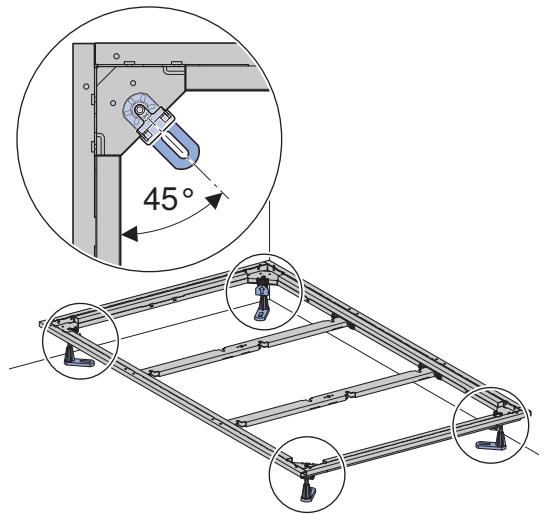
3



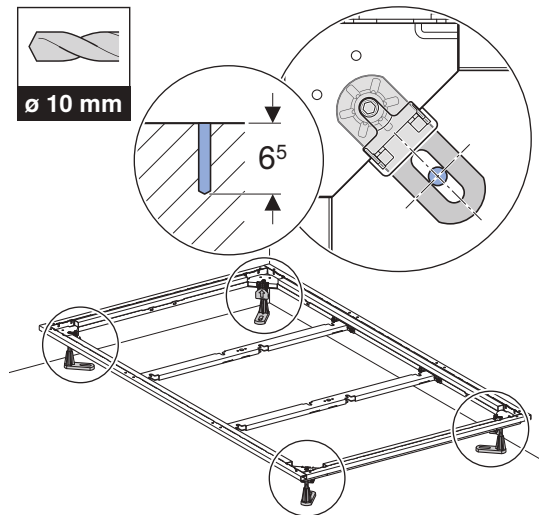
4



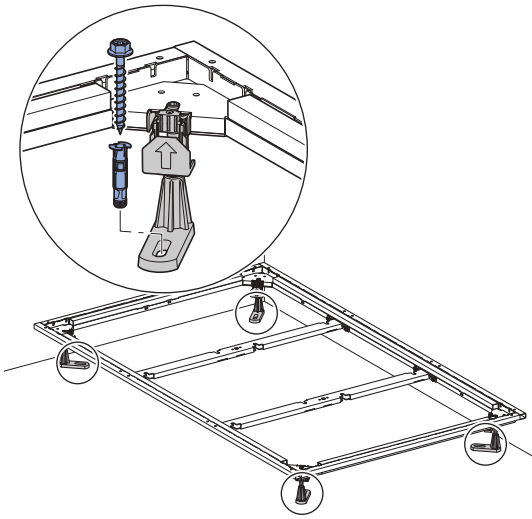
5



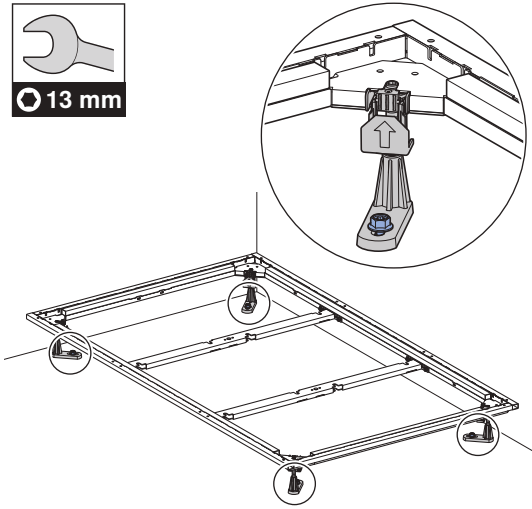
6



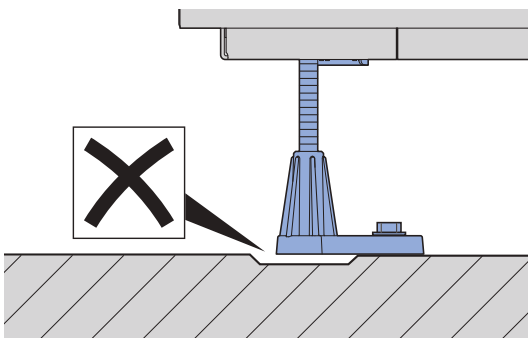
7



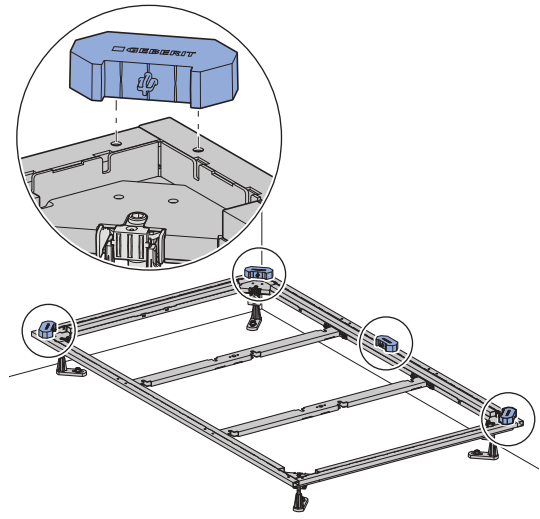
8



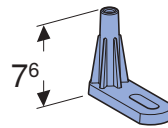
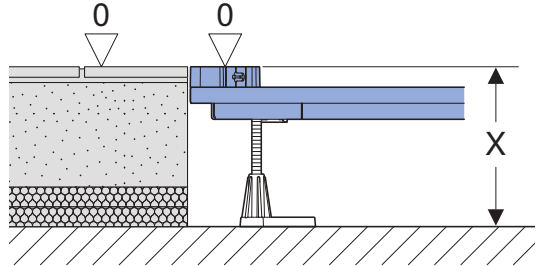
i



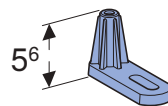
9



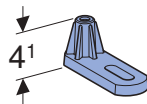
i



$X = 13^5-25$



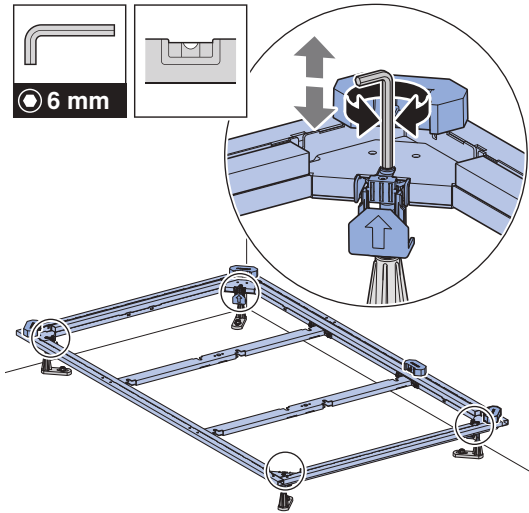
$X = 11^5-18$



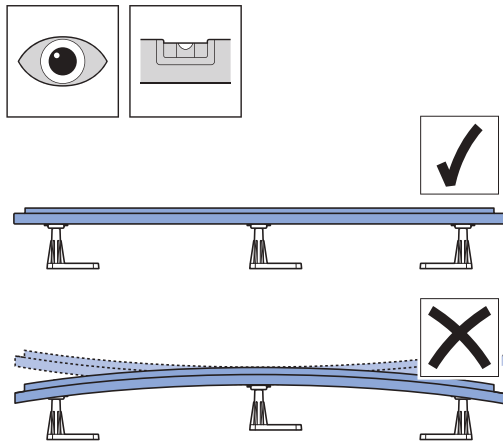
$X = 10-14^5$



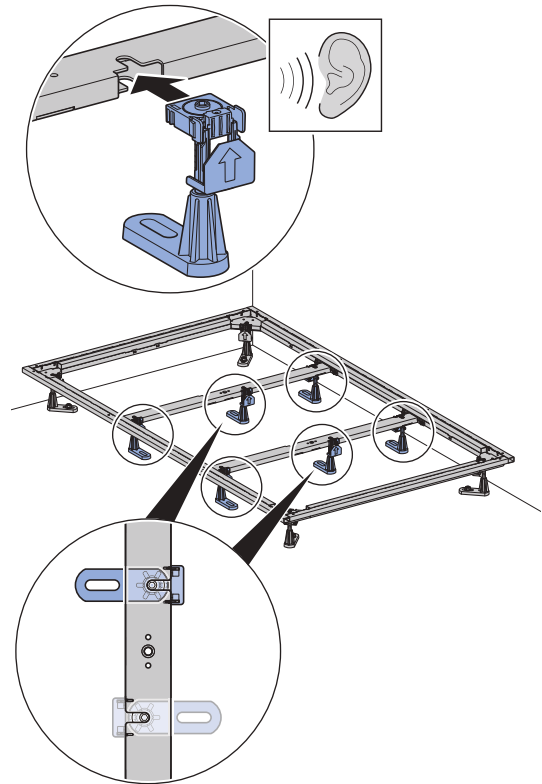
10



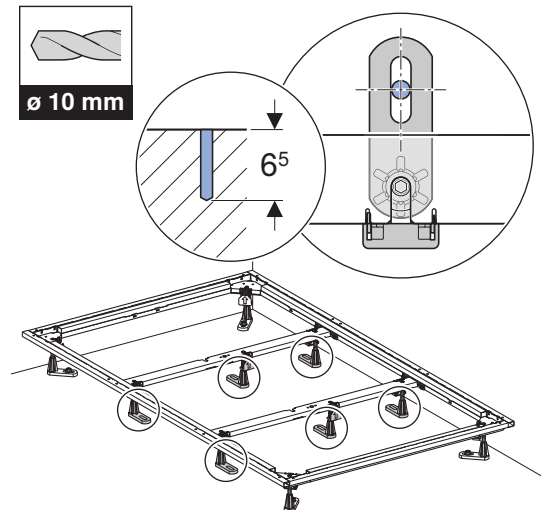
i



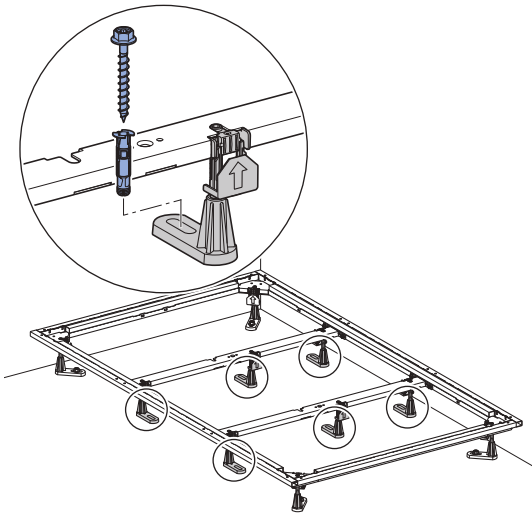
11



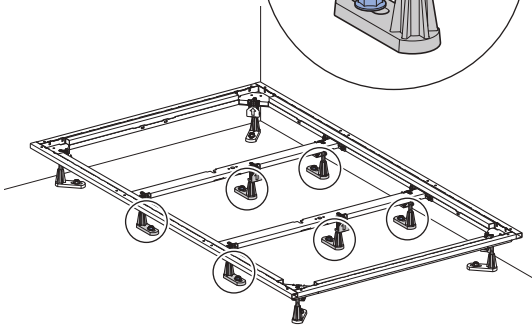
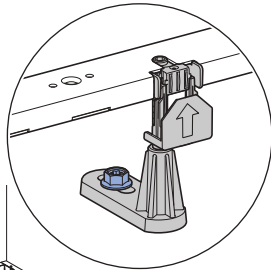
12



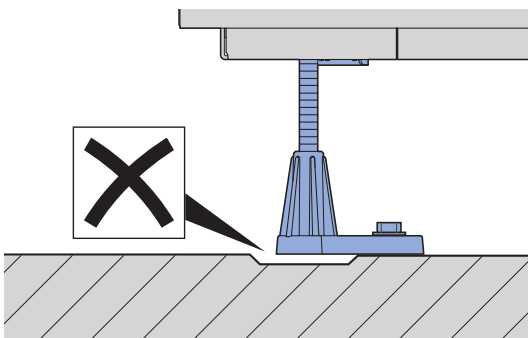
13



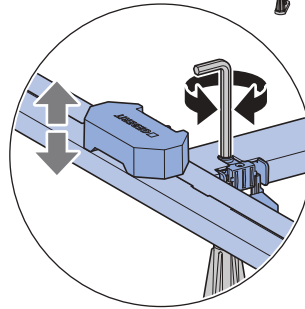
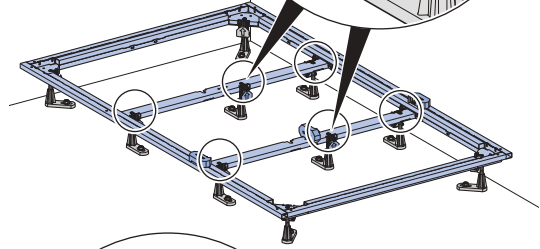
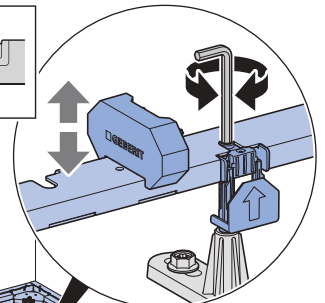
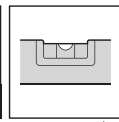
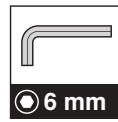
14



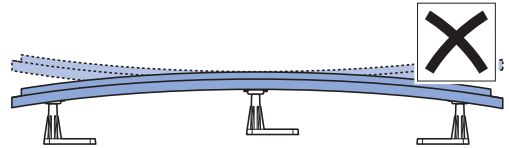
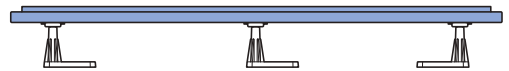
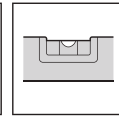
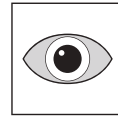
i



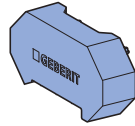
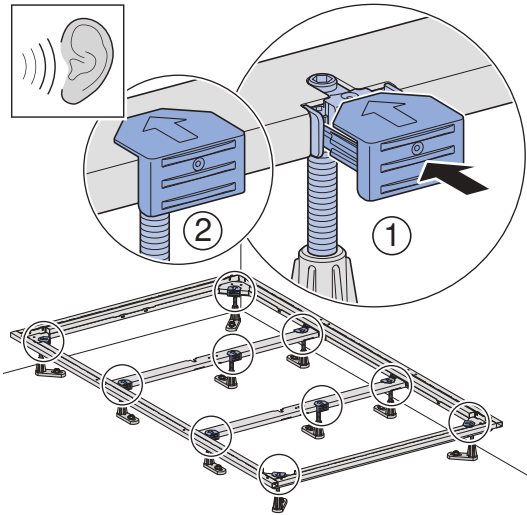
15



i

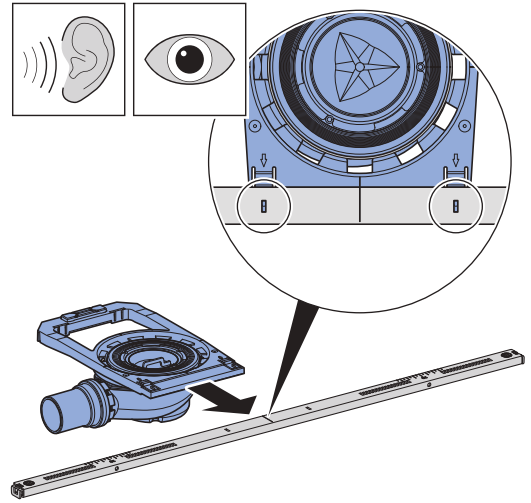


16

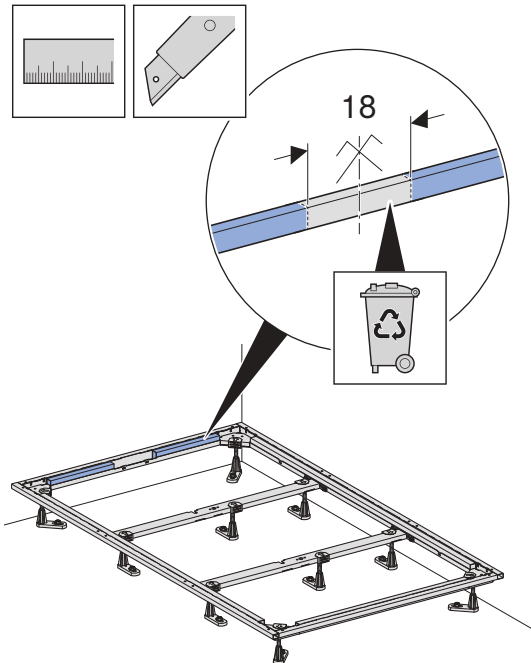


1 B

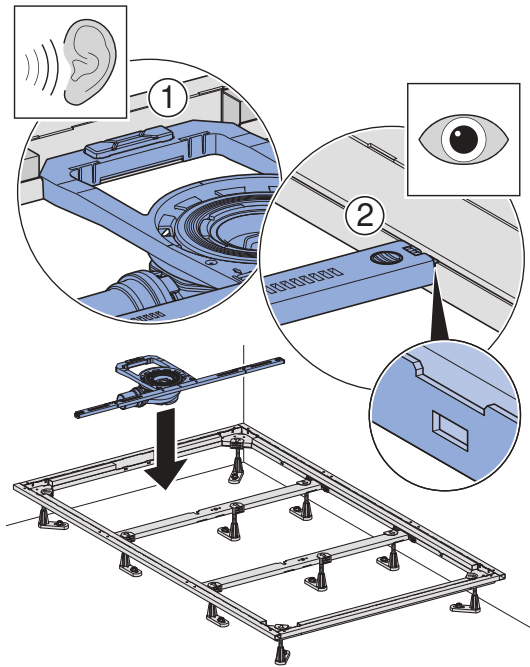
1



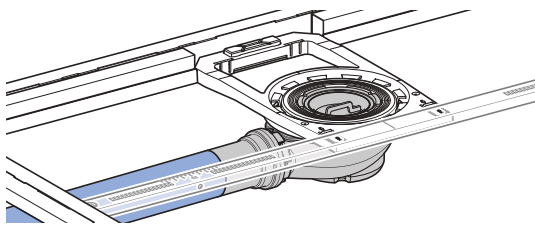
2



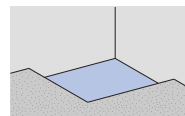
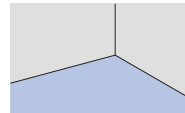
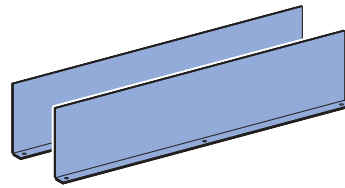
3



4



1 C

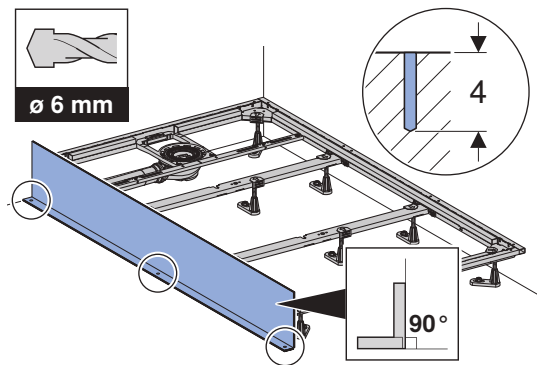


→ 1 D 10

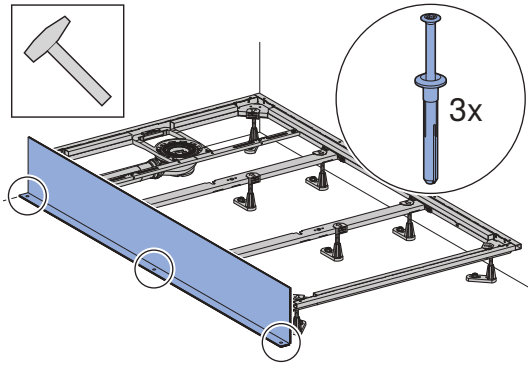
1



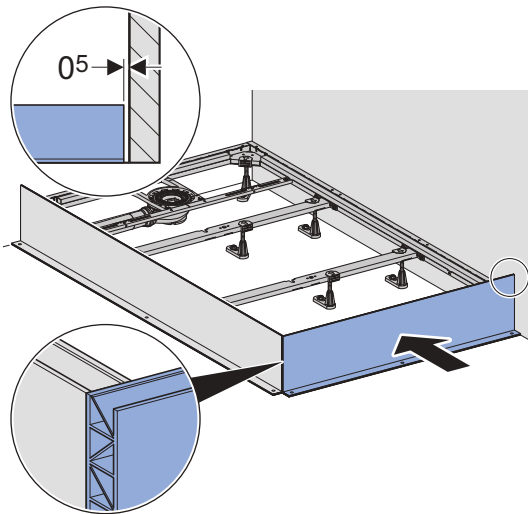
2



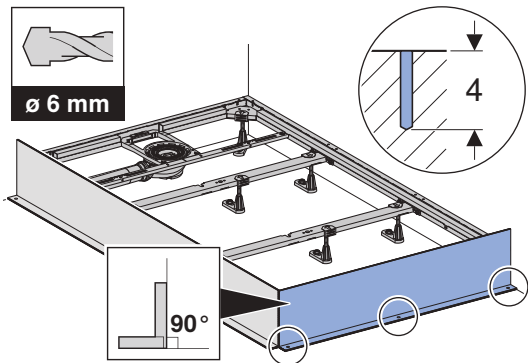
3



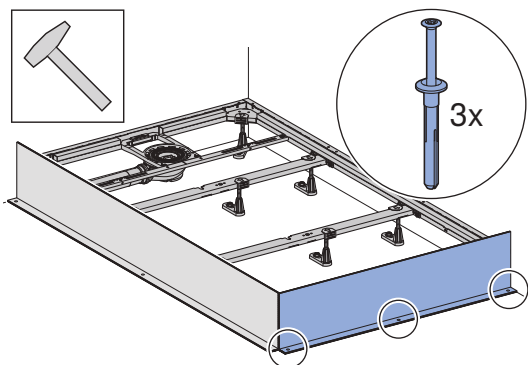
4



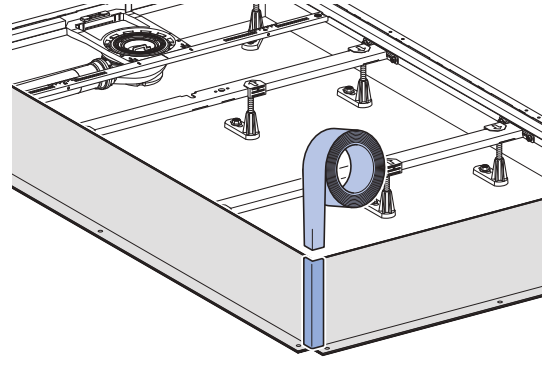
5



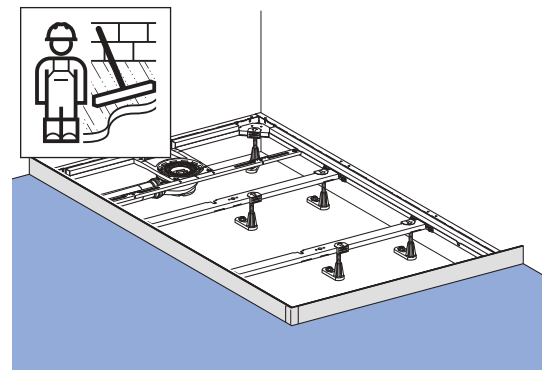
6



7

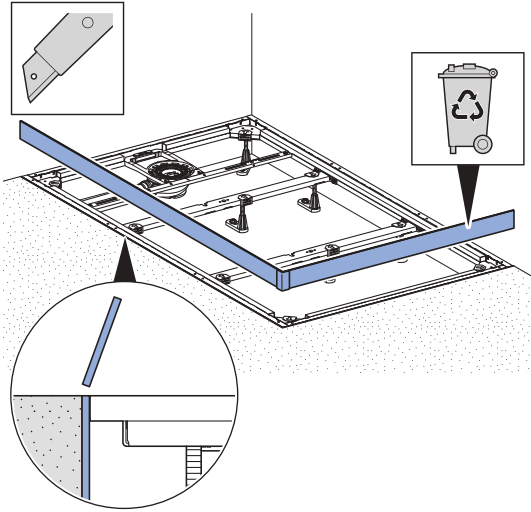


8

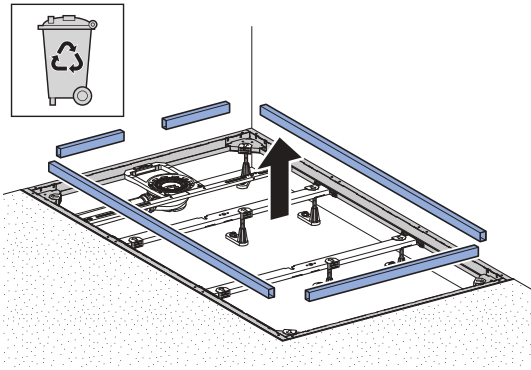


1 D

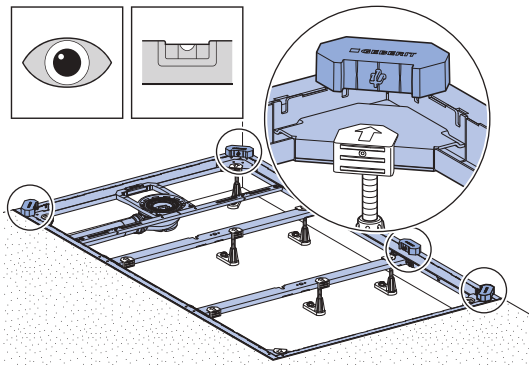
1



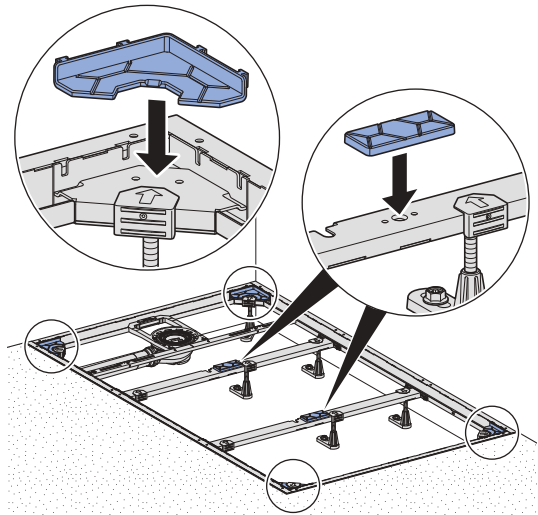
2



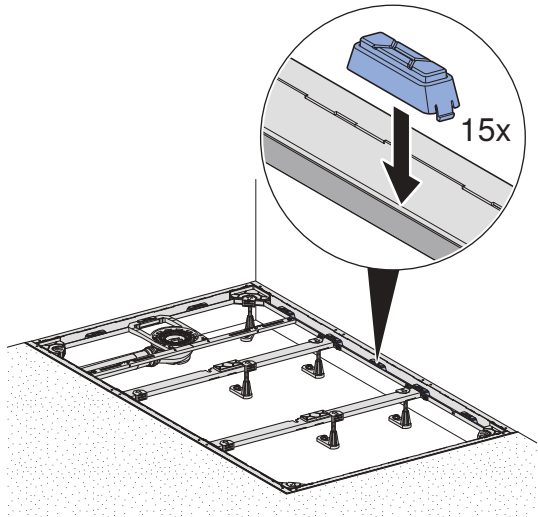
i

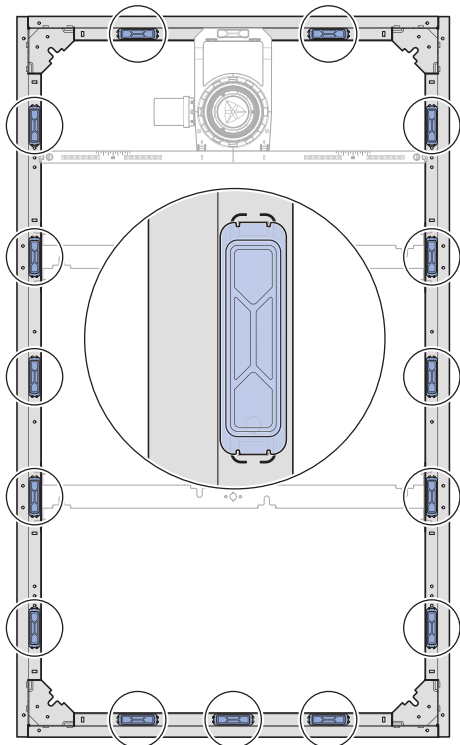


3

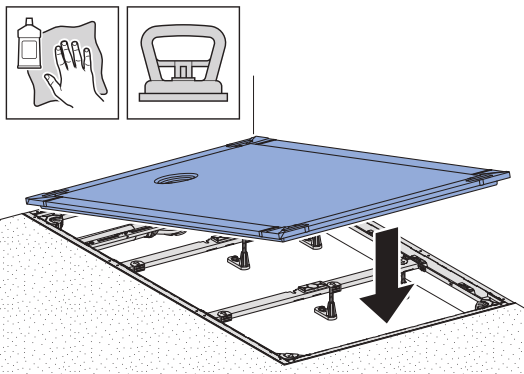


4

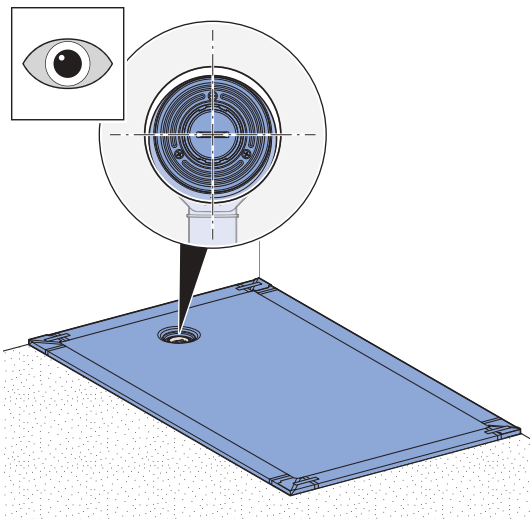




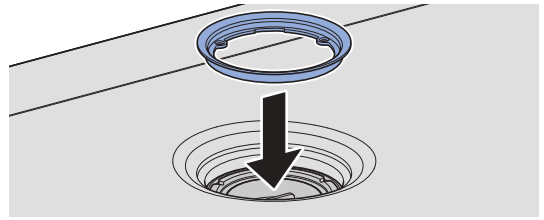
5



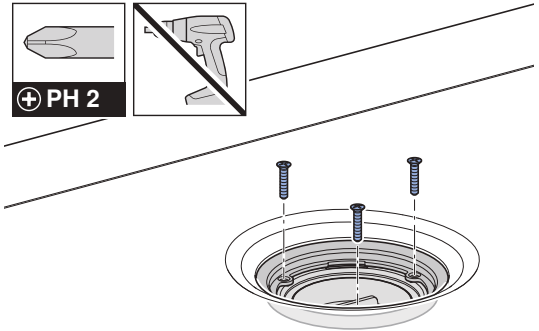
6



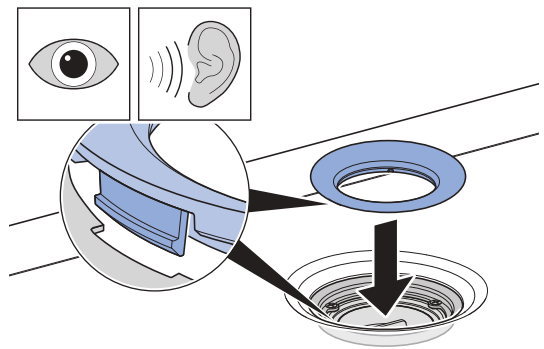
7



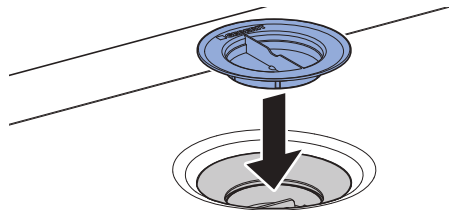
8



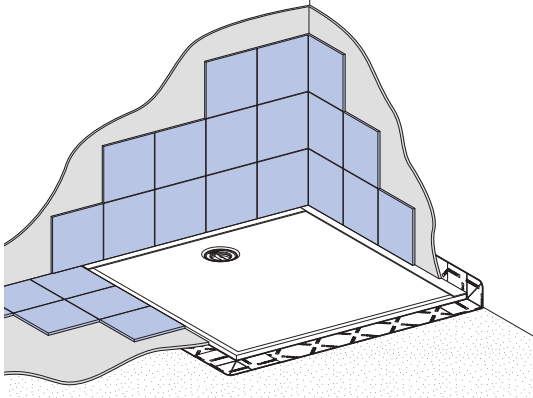
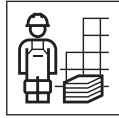
9



10

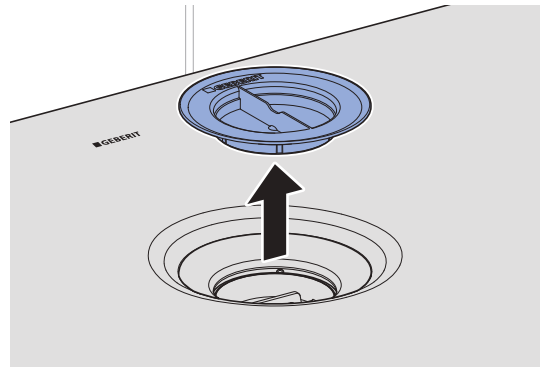


11

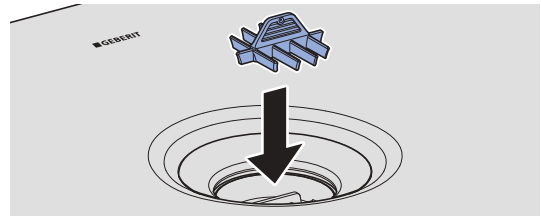


1 E

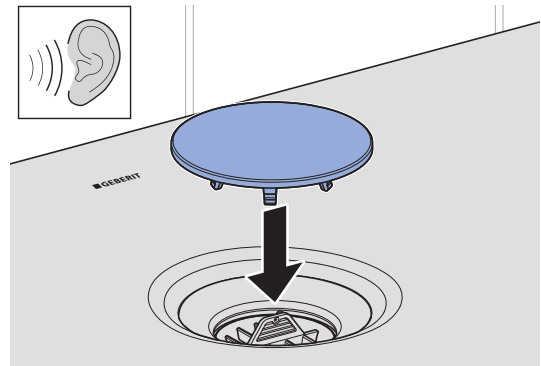
1



2



3

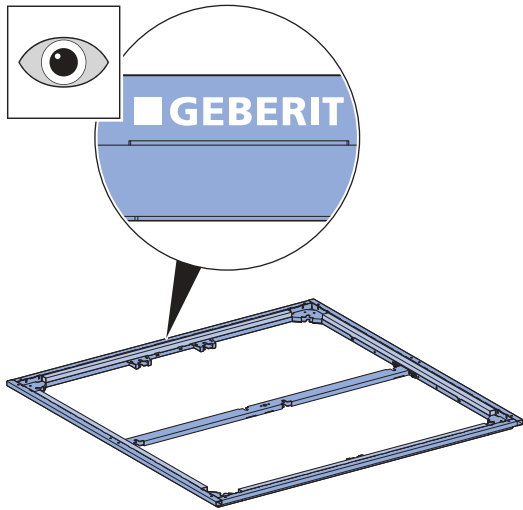


2

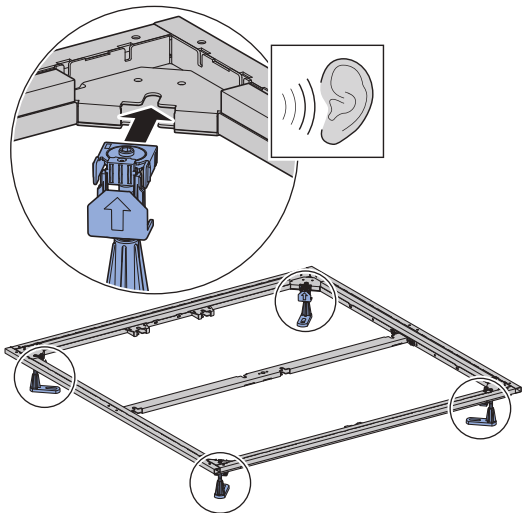
2

A

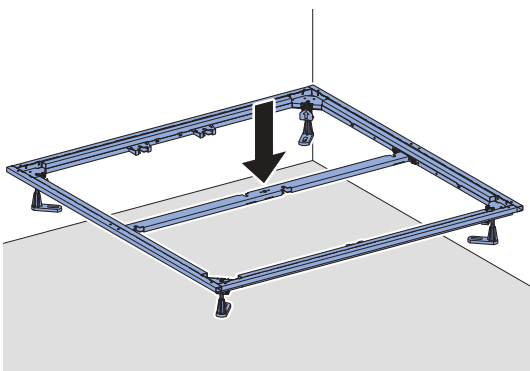
1



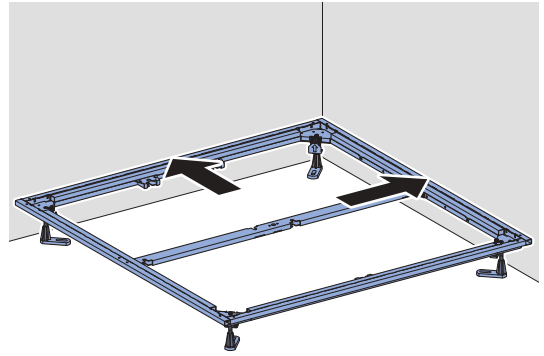
2



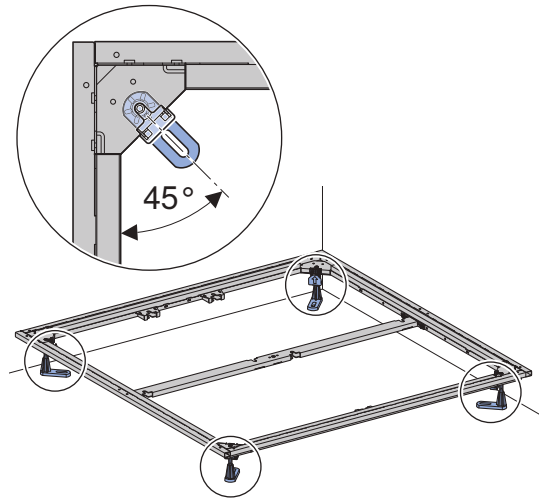
3



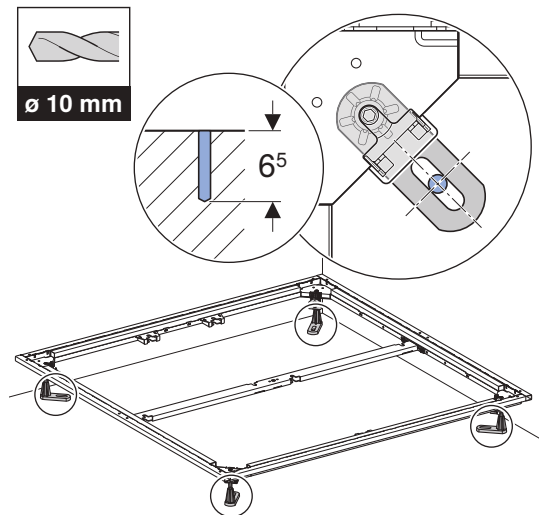
4



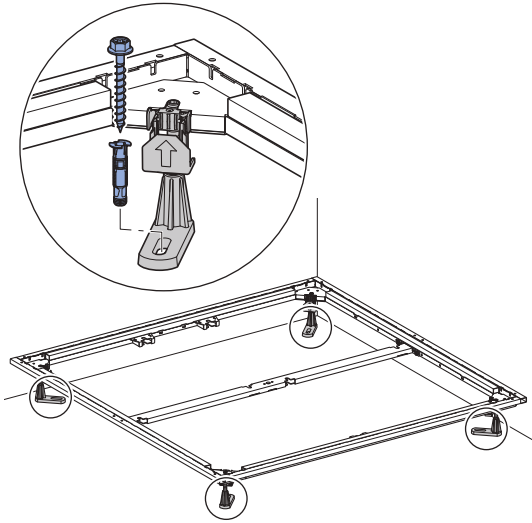
5



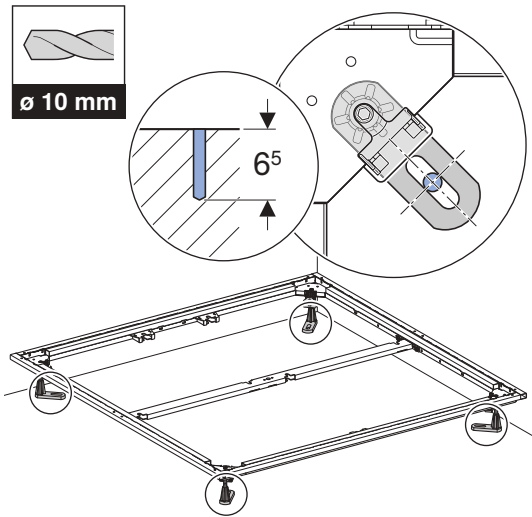
6



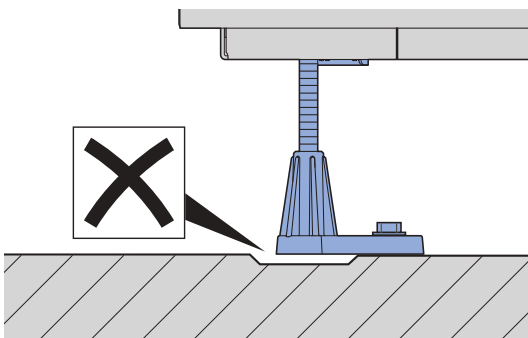
7



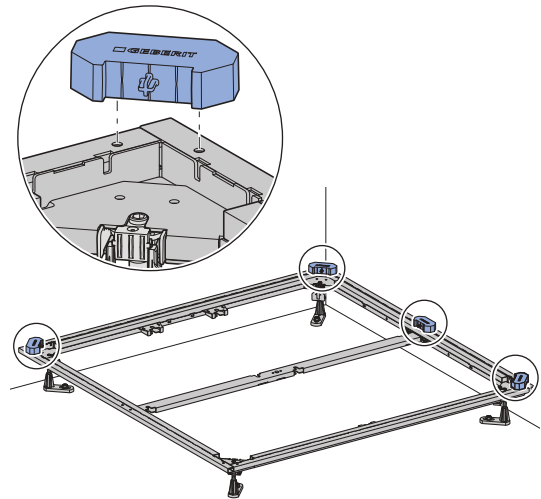
8



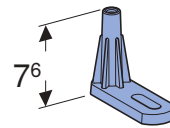
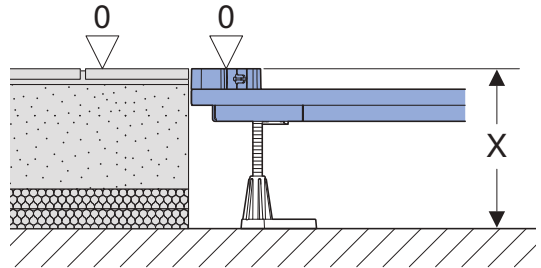
i



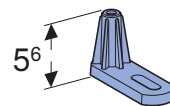
9



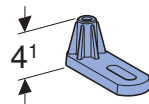
i



$X = 13^5-25$



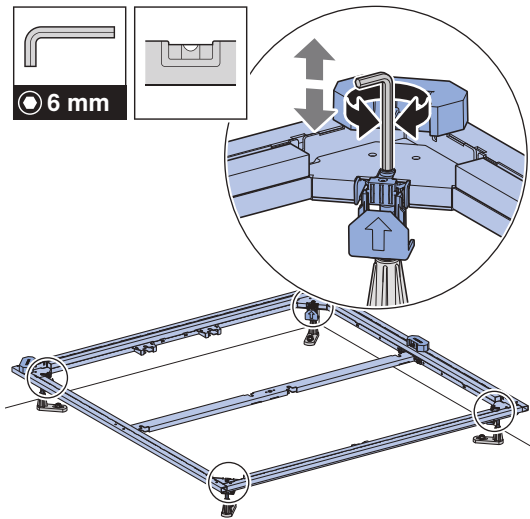
$X = 11^5-18$



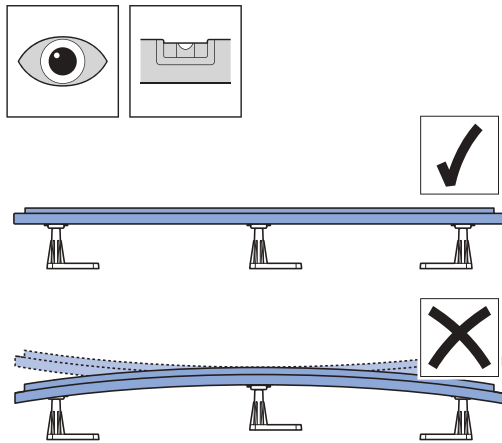
$X = 10-14^5$



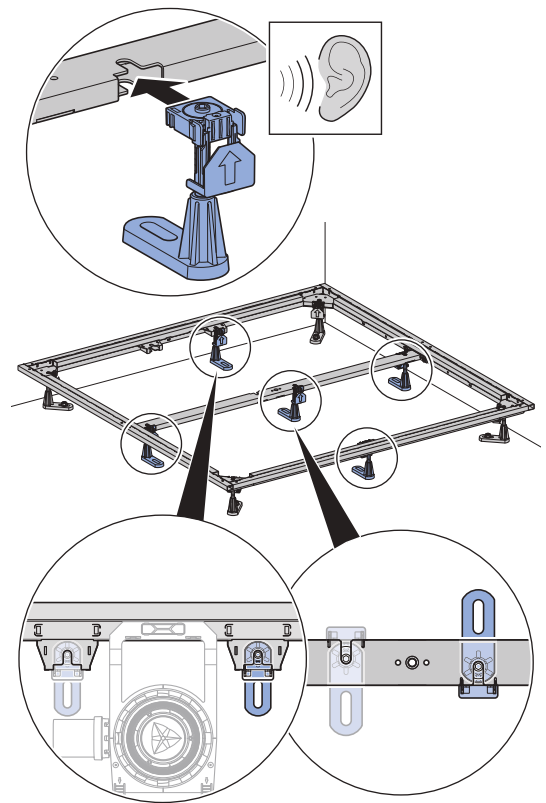
10



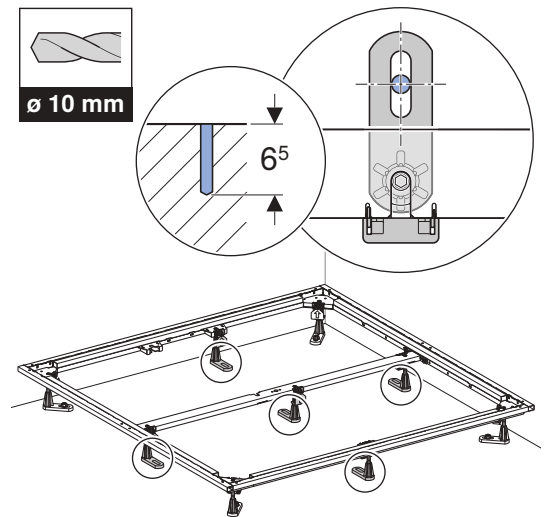
i



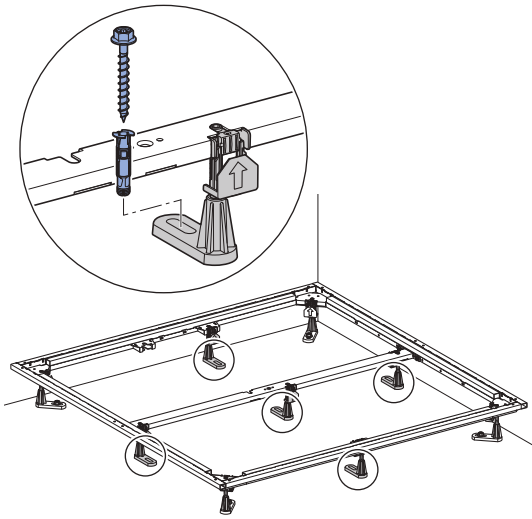
11



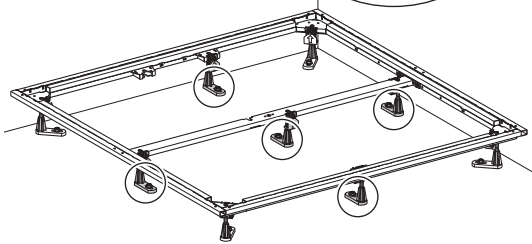
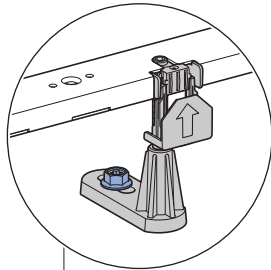
12



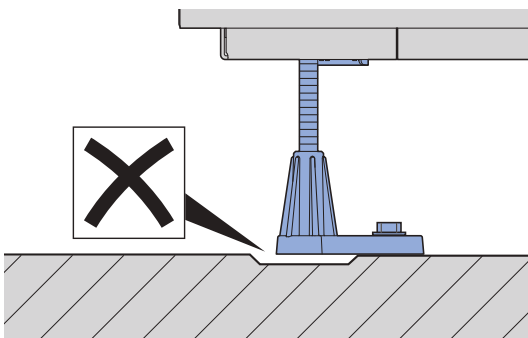
13



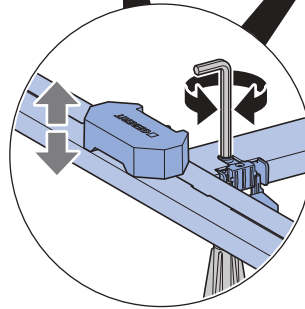
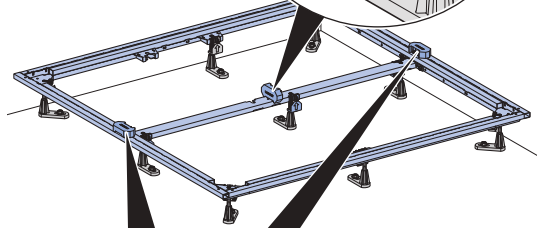
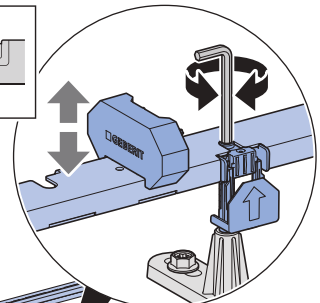
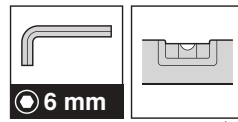
14



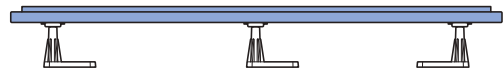
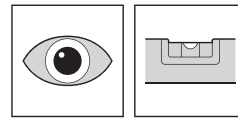
i



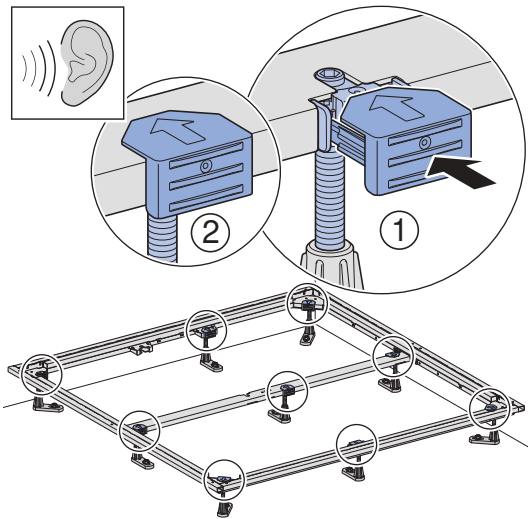
15



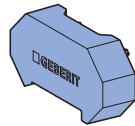
i



16

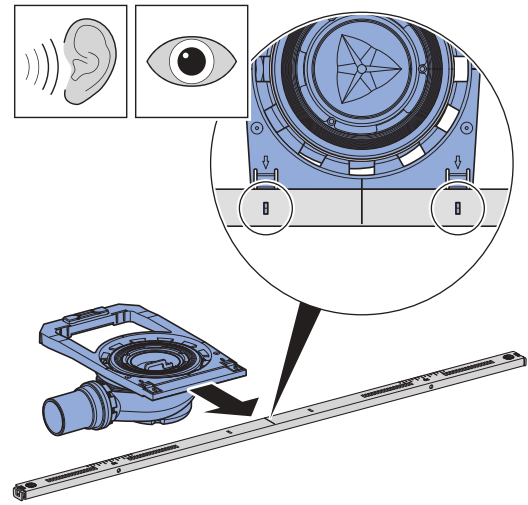


i

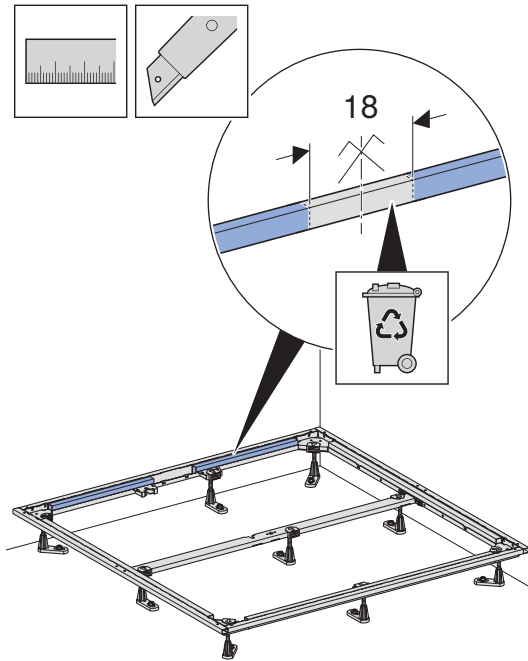


2 B

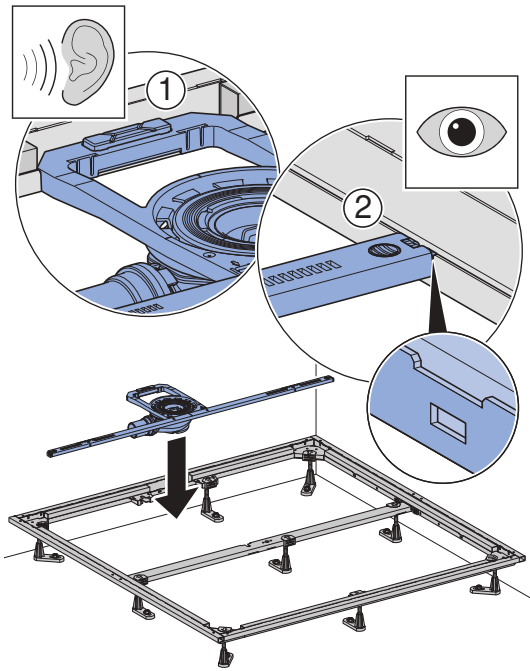
1



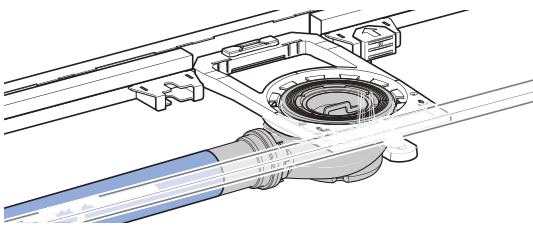
2



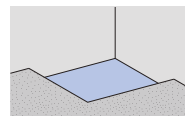
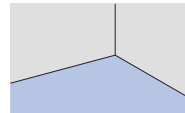
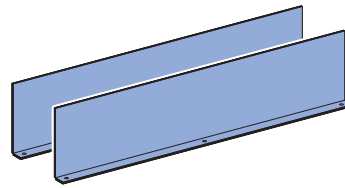
3



4

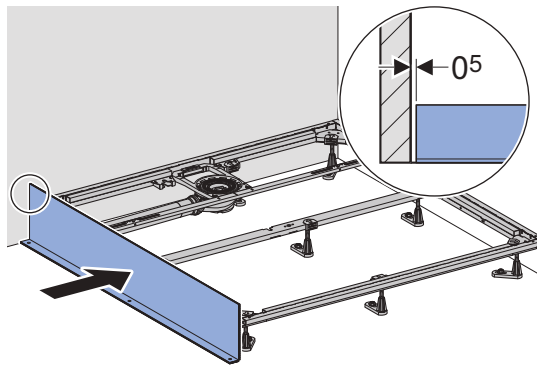


2 C

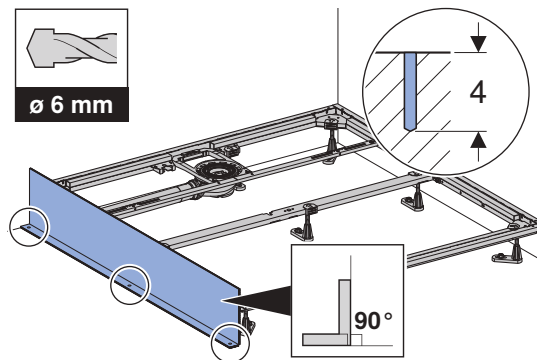


→ 2 D 20

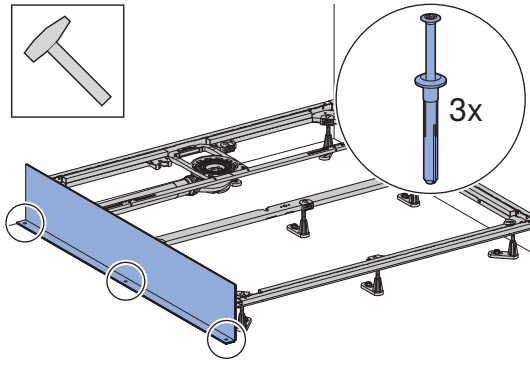
1



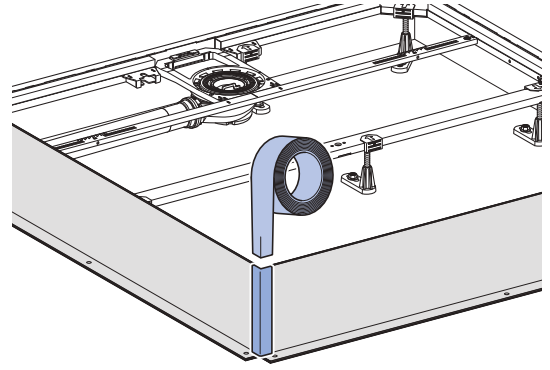
2



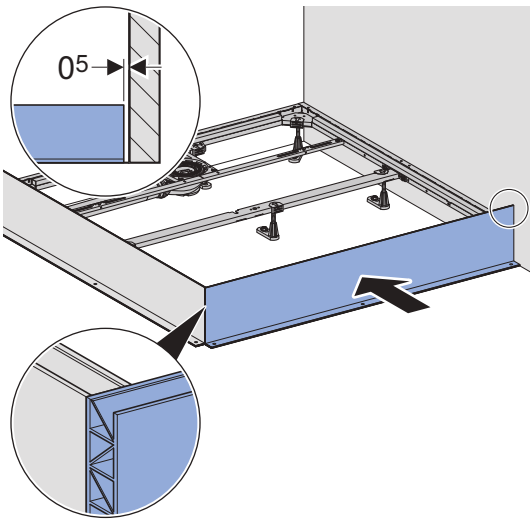
3



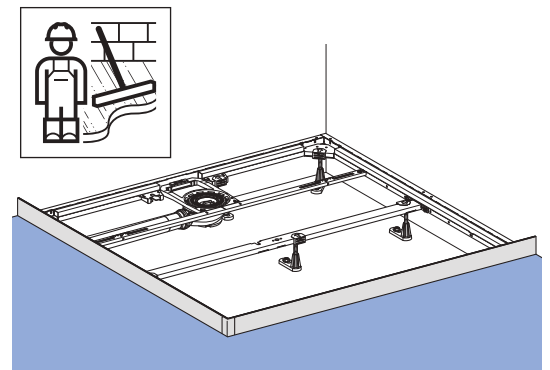
7



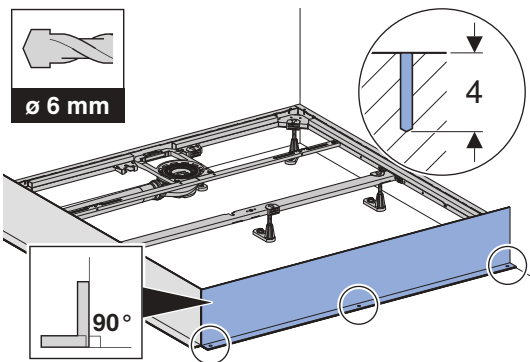
4



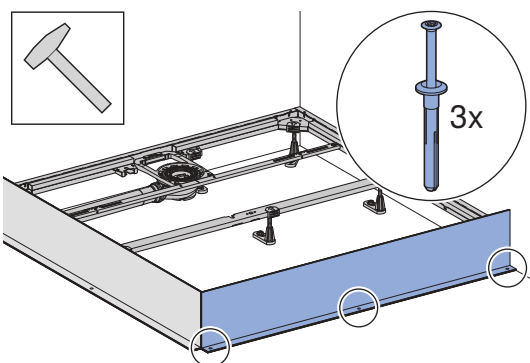
8



5

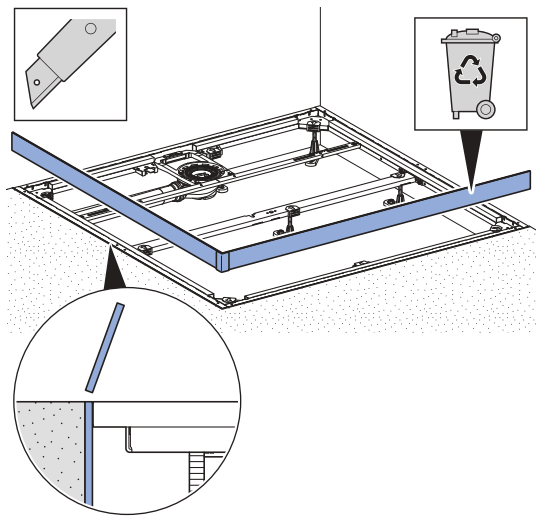


6

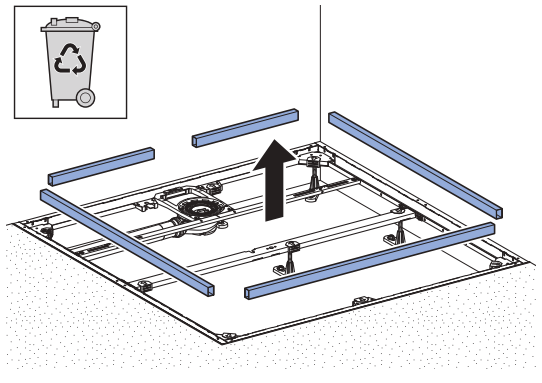


2 D

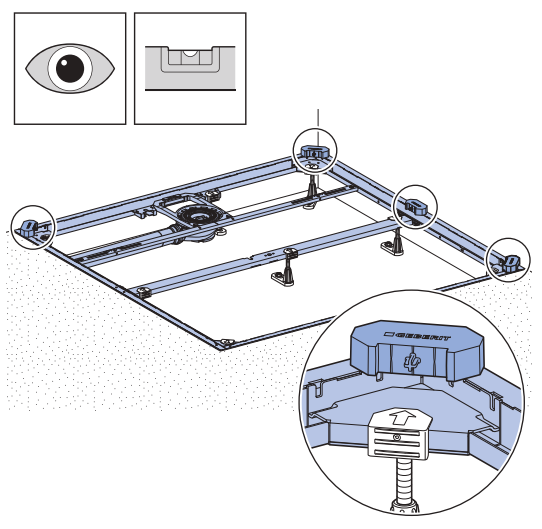
1



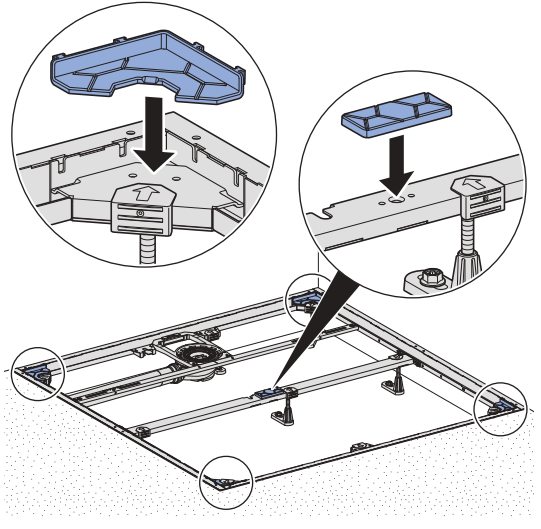
2



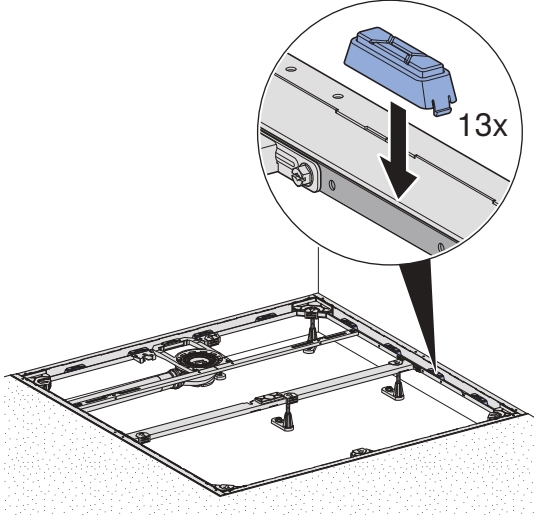
i



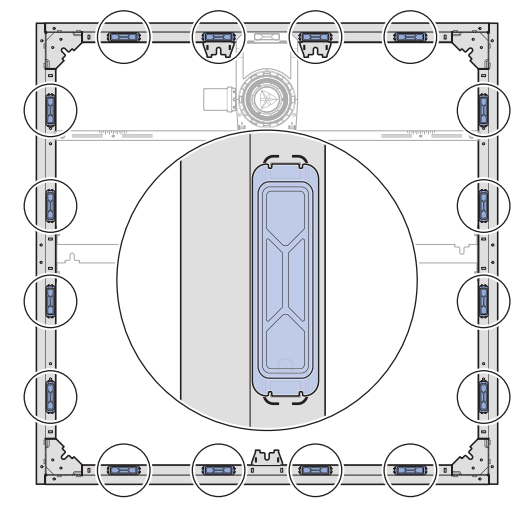
3



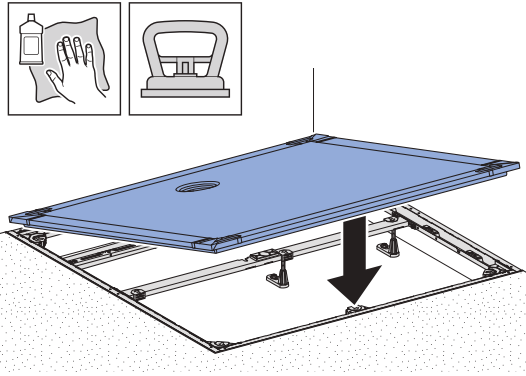
4



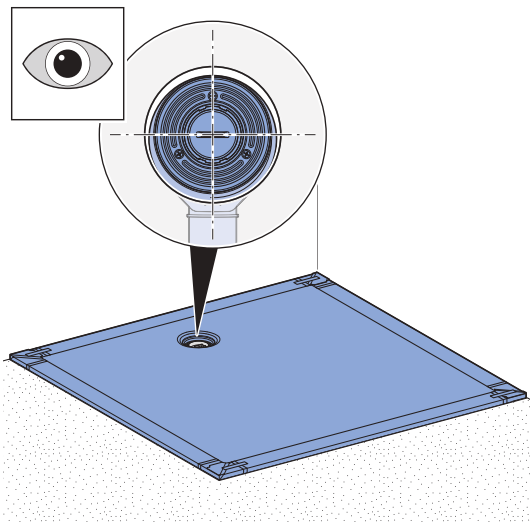
i



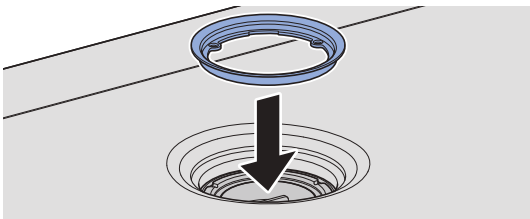
5



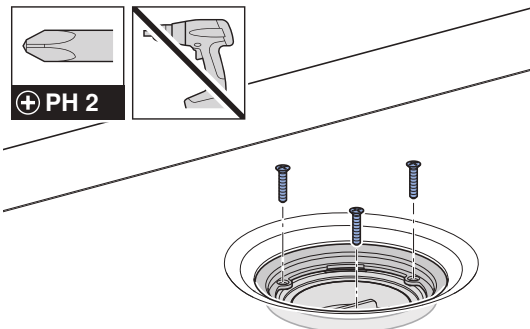
6



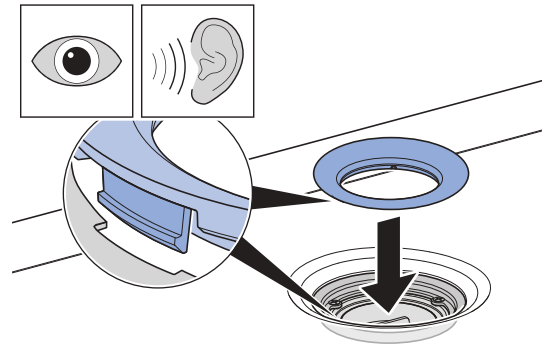
7



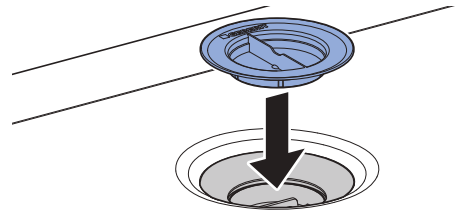
8



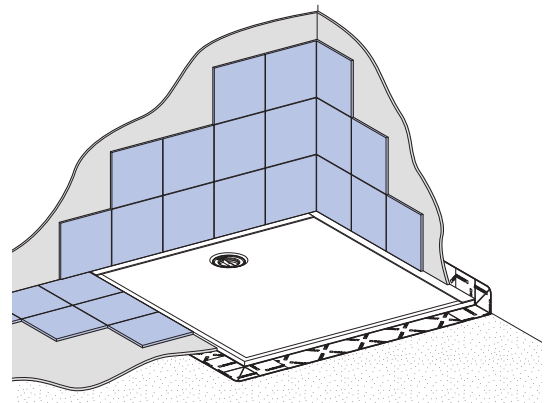
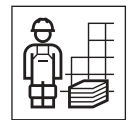
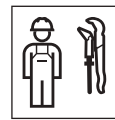
9



10

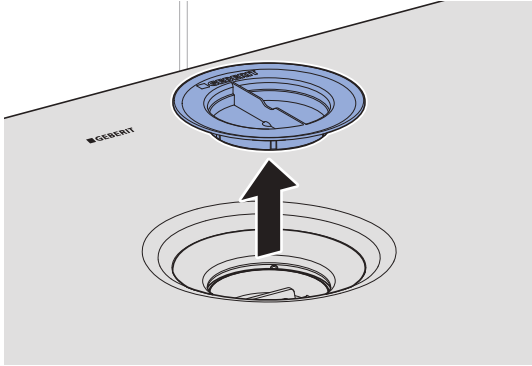


11

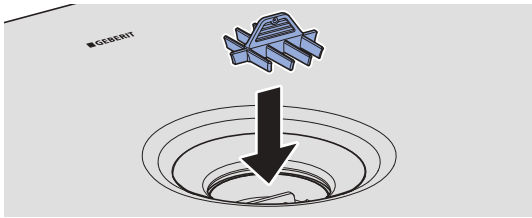


2 E

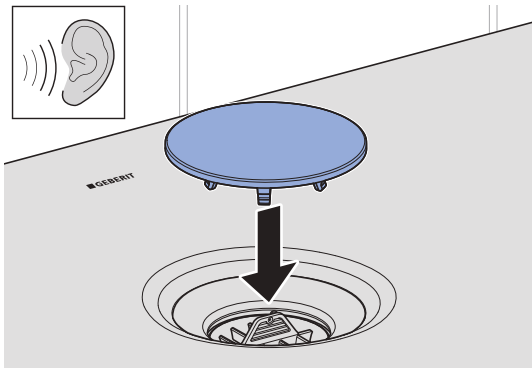
1



2



3





Geberit International AG
Schachenstrasse 77, CH-8645 Jona
documentation@geberit.com
www.geberit.com