



## WC-Sitz O.novo Kids

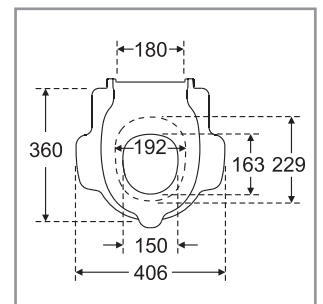
### Model

**8M1261** O.novo Kids toilet seat consisting of seat big, seat small and cover, version antibac, incl. 9223 27 61 hinges

### Product Description

O.novo Kids seat big and cover made of colour ingrained duroplast, seat small made of thermoplastic:

- incl. hinges stainless steel
- centre distance: 180 mm
- load of seat big: 240 kg
- load of seat small: 240 kg
- 10 year guarantee



### Colour Programme

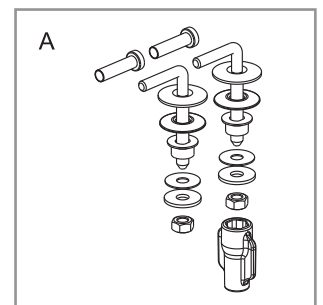
T1 white alpin, antibac  
9C colored (seat big blue, seat small yellow, cover red), antibac

### Hinge Finish

Stainless steel

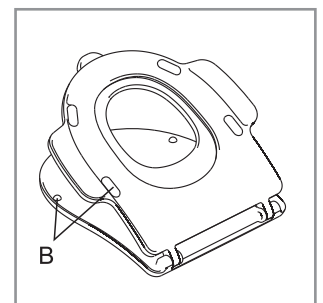
### Spare Parts

- A) 9223 27 61 hinges stainless steel
- B) 9223 24 00 Buffers for seat and cover



### Cleaning Instructions

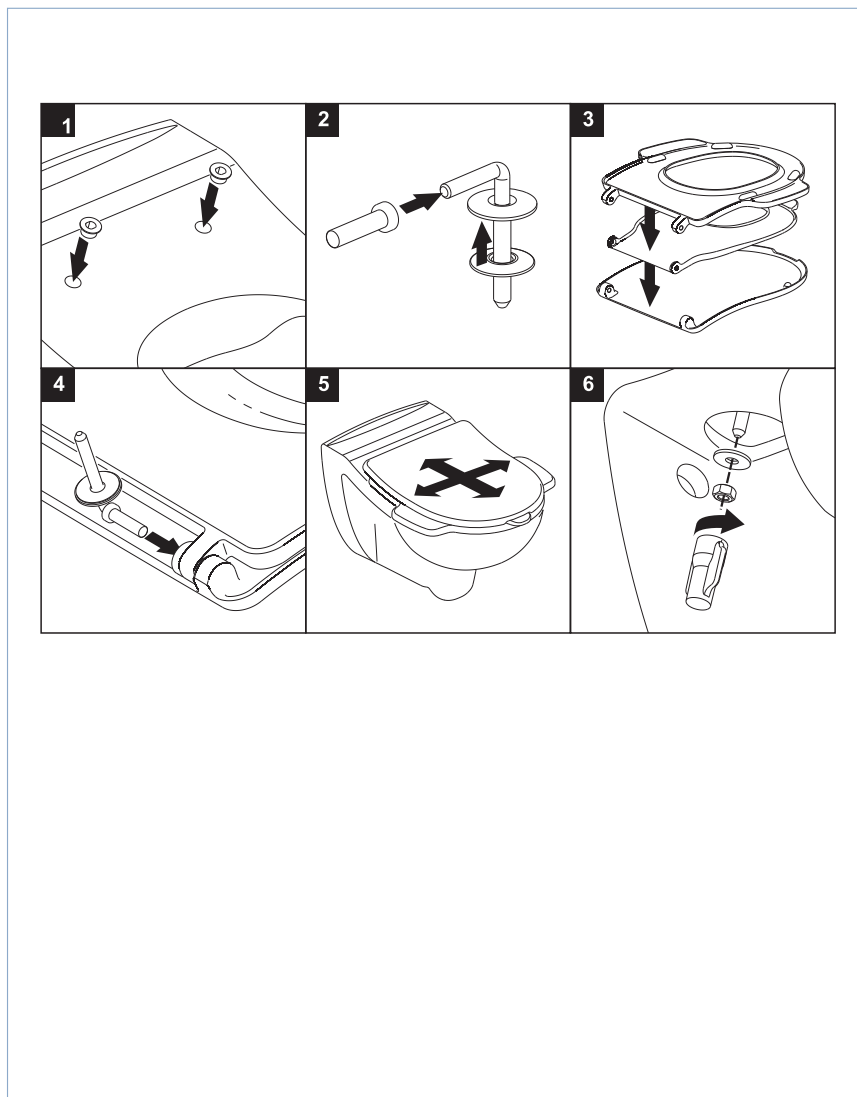
Use a mild soap solution. Seat and hinge should not be left damp, but be dried with a soft cloth. When using abrasive, corrosive or chlorine based cleaners for the bowl, avoid contact with seat and hinge as it may lead to damages or flash rust. Therefore, when cleaning the bowl, make sure that seat and cover are in an upright position until all the cleaner has been flushed away.



Villeroy & Boch

1748

## Instruction manual



## Material Description

**SEAT BIG and COVER:** The material is colour ingrained duroplast (UF A 10 = urea formaldehyde) that contains no environmentally hazardous substances. UF plastic comprises 67 % urea formaldehyde resin, 28 % cellulose, as well as 5 % minerals, pigments, lubricants and moisture content. The raw material from the supplier contains less than 0,03 % formaldehyde after a special curing process. The smooth, non-porous surface with version antibac (BiozidVO (EU) Nr. 528/2012) is ideal for maintaining hygiene conditions.

**SEAT SMALL:** Polypropylen, antibacterial. The smooth, non-porous surface with version antibac (BiozidVO (EU) Nr. 528/2012) is ideal for maintaining hygiene conditions.

**BUFFERS:** TPE ( Thermoplastic Elastomer)

**MOUNT/HINGE:** stainless steel

## Guarantee

The guarantee includes faults or defects in the material of our products within a periode of 10 years. Products subject to minor technical modifications and design deviations. Errors and omissions excepted.