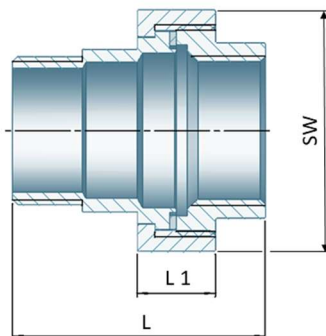


## Data Sheet Gebo G316 Gewindefittings aus Edelstahl / Stainless steel threaded fittings

### Code 6331

Verschraubung – A/I – flach dichtend  
Union – M/F – flat seat

- Material: 1.4408
- Legierungsbestandteile / Alloying components in %:  
C ≤ 0,07 – Cr 18,0-20,0 – Ni 9,0-12,0 – Mo 2,0-2,5
- Anschlussgewinde gemäß / Connection thread according to  
DIN EN 10226 (ISO 7/1)



Size	Code	mm				kg	
		L	L1	SW	e		
1/8"	6331-018	38,0	13,0	11,0	12,7	hexagon	0,04
1/4"	6331-014	44,0	13,5	30,5	17,3	hexagon	0,07
3/8"	6331-038	47,5	15,0	34,0	20,8	hexagon	0,07
1/2"	6331-012	54,0	16,0	37,5	25,4	hexagon	0,13
3/4"	6331-034	58,0	17,0	46,0	32,3	hexagon	0,15
1"	6331-100	68,0	20,0	54,5	41,6	hexagon	0,25
1 1/4"	6331-114	74,5	22,0	65,5	47,1	hexagon	0,34
1 1/2"	6331-112	78,5	24,0	70,5	53,6	hexagon	0,57
2"	6331-200	90,0	27,0	86,5	71,6	hexagon	0,79
2 1/2"	6331-212	102,0	29,5	105,5	83,9	octagon	1,58
3"	6331-300	113,0	31,0	118,5	98,0	octagon	2,08