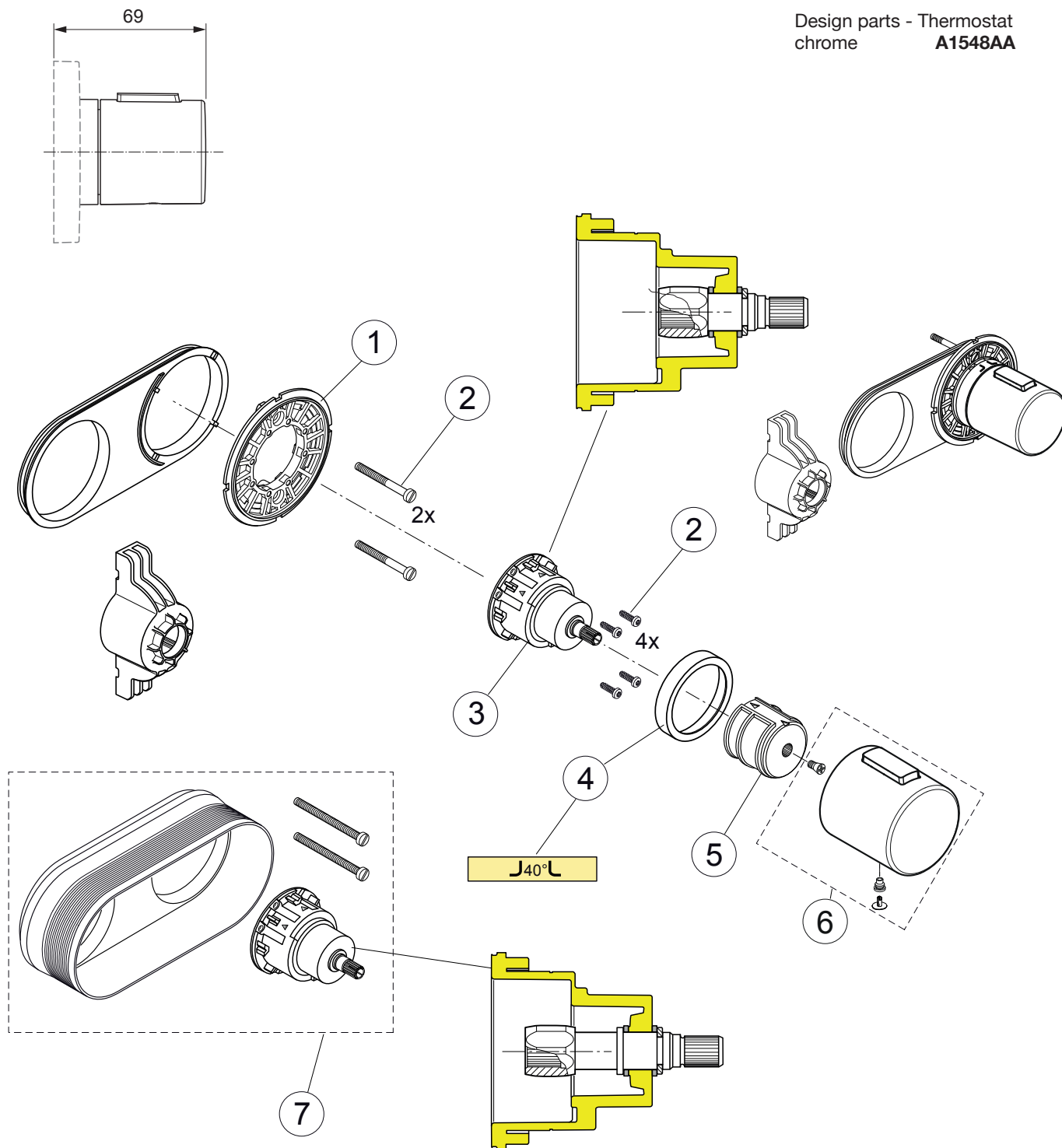




Produced from: Dec 2020

Design parts - Thermostat  
chrome **A1548AA**

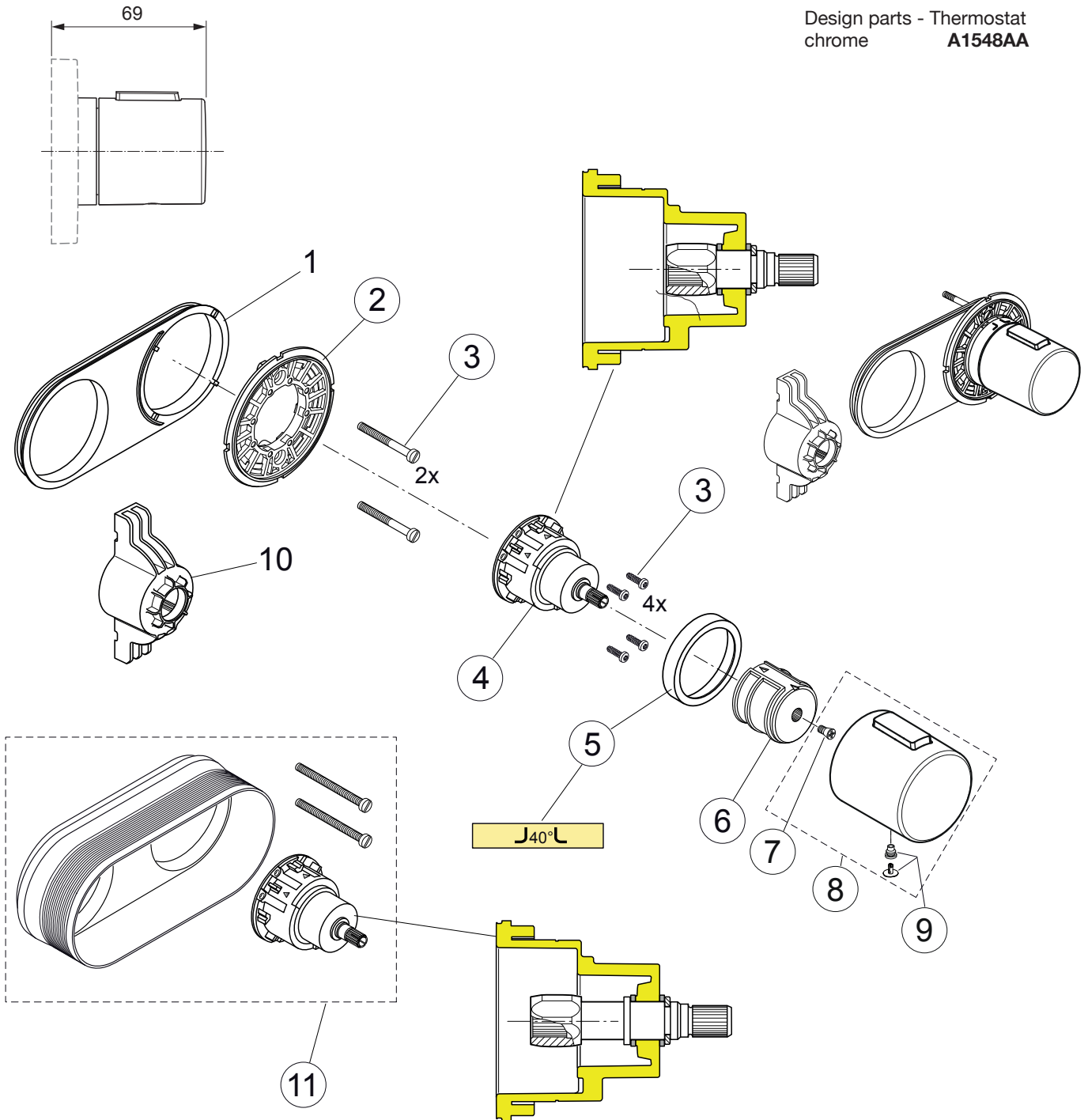


Pos.	Description	Part-Number	Qty.	Pos.	Description	Part-Number	Qty.
1	Escutcheon holder	<b>A 860 853 NU</b>	1 Set				
2	Screw set Thermostat	<b>A 860 868 NU</b>	1 Set				
3	Override part Therm.	<b>A 860 854 NU</b>	1 pcs				
4	Decor ring Ø48 Temp.	<b>A 860 864 AA</b>	1 pcs				
5	Handle adapter	<b>A 860 866 NU</b>	1 pcs				
6	Handle complete	<b>A 860 907 AA</b>	1 Set				
7	Extension kit for Temperature handle	<b>A 963 739 NU</b>	1 Set				

ArchiModule Soft

Produced from: May 2013 - Nov.2020

Design parts - Thermostat  
chrome **A1548AA**



Replace XX with the appropriate finish code  
chrome = AA,

Example spare part order:  
**A 860 907 AA** in chrome

Pos.	Description	Part-Number	Qty.	Pos.	Description	Part-Number	Qty.
1	Seal ring			8	Handle complete	<b>A 860 907 XX</b>	1 Set
2	Escutcheon holder	<b>A 860 853 NU</b>	1 Set	9	Cap + Screw	<b>A 962 149 XX</b>	1 Set
3	Screw set Thermostat	<b>A 860 868 NU</b>	1 Set	10	Template for cutting / Thermostat only		
4	Override part Therm.	<b>A 860 854 NU</b>	1 pcs	11	Extension kit for Temperature handle	<b>A 963 739 NU</b>	1 Set
4	O - Ring Ø 45 x 1,15	<i>removed since June 2012</i>					
5	Decor ring Ø48 Temp.	<b>A 860 864 XX</b>	1 pcs				
6	Handle adapter	<b>A 860 866 NU</b>	1 pcs				
7	Screw for Handle M 4	<b>A 961 337 NU</b>	1 pcs				

ArchiModule Soft