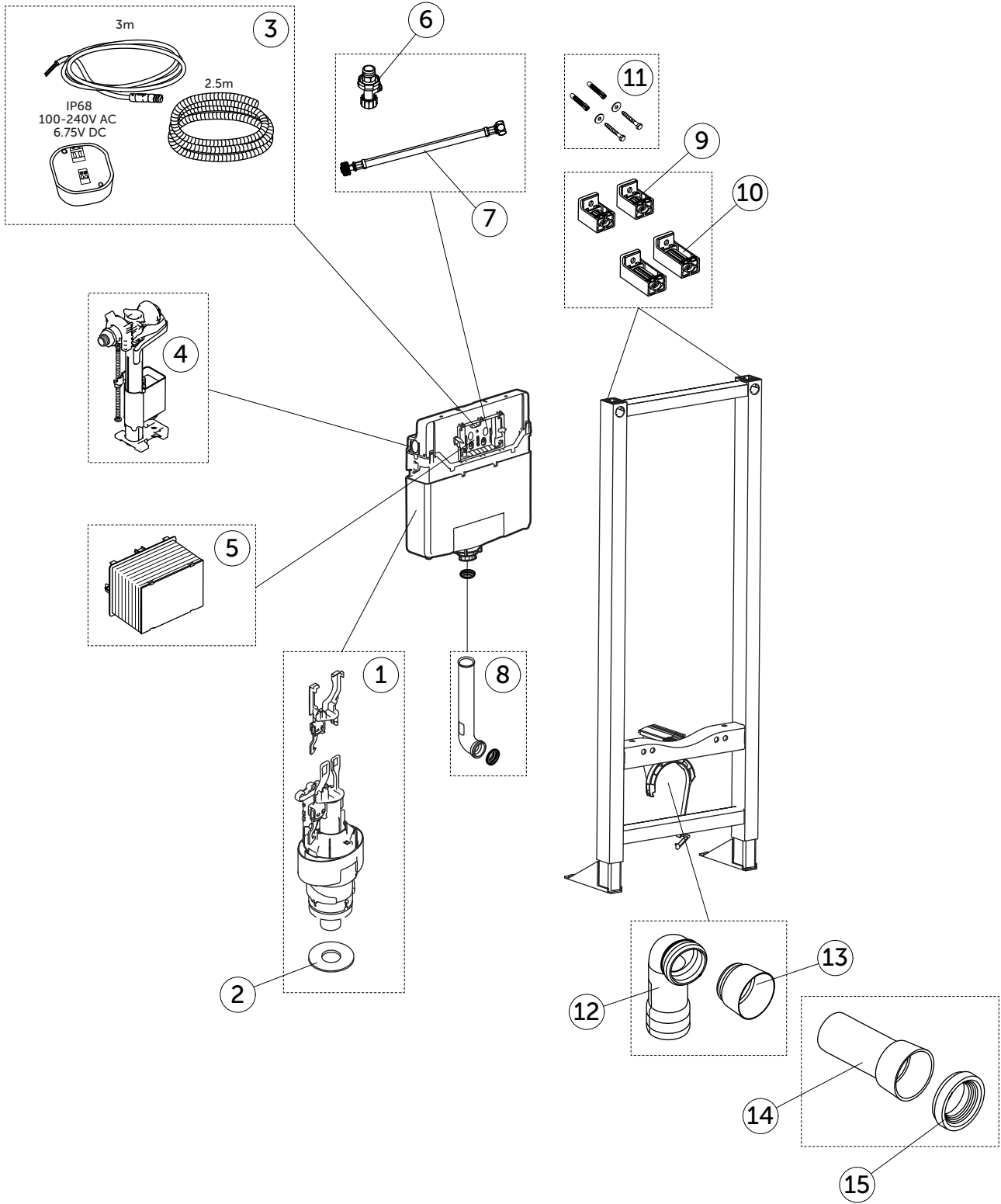


# SPARE PARTS

PROSYS 120



# SPARE PARTS

PROSYS 120

REP.	CODE	DESCRIPTION	WHERE IS USED
1	RV15267	PROSYS FLUSH VALVE FOR WC FRAME 120 M	
2	RV15667	PROSYS SEAL FOR WC FRAME 120	
3	R009367	PROSYS TRANSFORMER 74 & 120 PROXIMITY ONLY	
4	RV15467	PROSYS FILLING SMARTVALVE CLASS 1	
5	RV16667	PROSYS Service tunnel	
6	RV16767	PROSYS 120 Stop Valve	
7	RV17067	PROSYS 120 Flexible hose 3/8 / 3/8 x 215	
8	RV17367	PROSYS 120 Flush Pipe	
9	RV17667	PROSYS 120 Fast Fixation length 144mm	
10	RV17767	PROSYS 120 Fast Fixation length 181mm	
11	RV17867	Fixation screws x4 for PROSYS 80 / 120 / 150	
12	RV18067	PROSYS Outlet bend 90/90	Both items 12 and 13 are required for installation of 120 freestanding frames R009667 & R015467 to Ø110mm outlet pipe
13	RV18167	PROSYS outlet bend adaptor 90/110 (needed for FS NF frames to be sold in other countries)	
14	RV18267	PROSYS WC connection pipe diam 90x250	
15	RV18367	PROSYS Rubber seal for pan diam 125	

Ideal Standard International NV  
Corporate Village – Gent Building  
Da Vincilaan 2  
B1935 – Zaventem  
Belgium



**BE** +32 (0)2 325 66 33  
**BG** +359 675 30362  
**DE** +49 (0)228 521 580  
**EG** +202 26969700  
**FR** +33 (0)1 49 38 28 00  
**GB** 0870 129 6085  
**GR** +30 210 67 90 810  
**HR** +38591 22 99 304

**HU** +36 30 6991 594  
**IT** 800 652 290  
**ME** +971 4 804 2400  
**NL** +31 (0)77 355 08 08  
**PL** +48 71 7868 301/302  
**RO** +40 21 3223 201/202  
**SI** 00386 59 919040  
**TR** +90 216 314 87 87

**UA** +359 675 30 468  
**AL/XK/BA** +359 887 709 696  
**CZ/SK** +420 417 592 179  
**DK/NO/SE** +45 75 84 10 10  
**ES/PT** +34 93 561 80 00  
**LV/LT/EE** +371 673 57 792  
**RS/MK/ME** +381 11 713 80 58  
**RU/MD** +7 495 669 23 11

