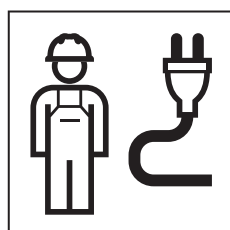
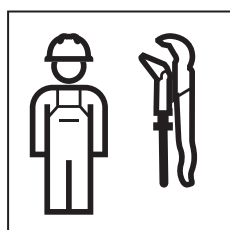


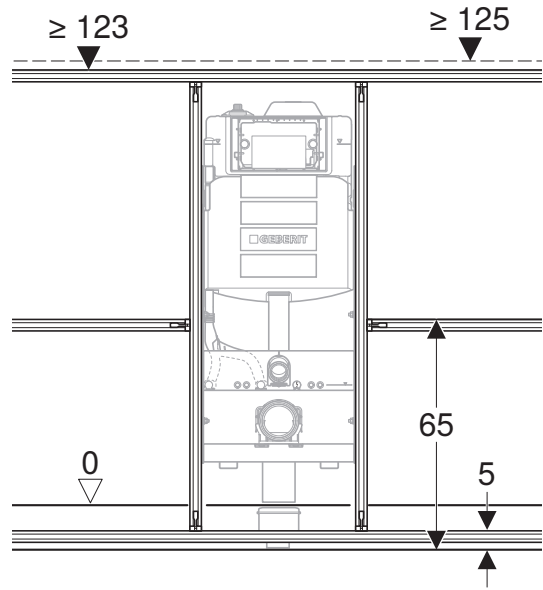
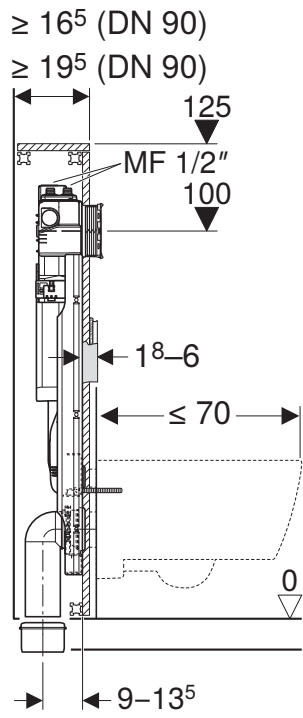
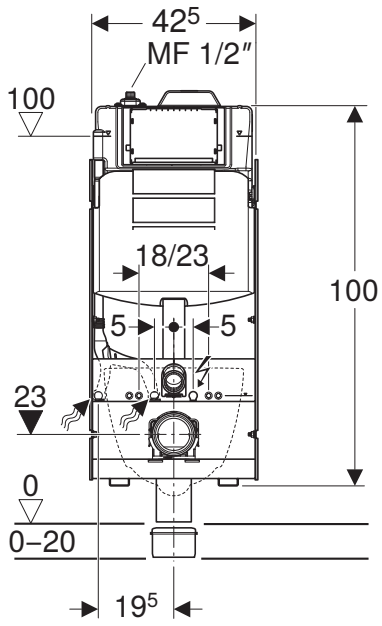
INSTALLATION MANUAL

MONTAGEANLEITUNG
INSTRUCTIONS DE MONTAGE
ISTRUZIONI PER IL MONTAGGIO



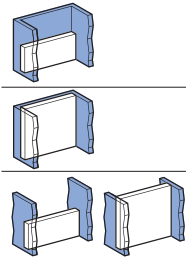
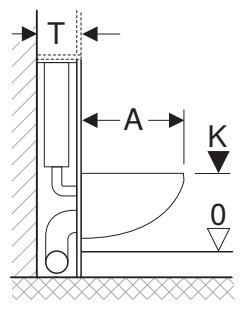
971.556.00.0(01)





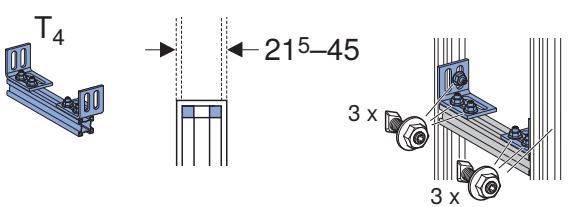
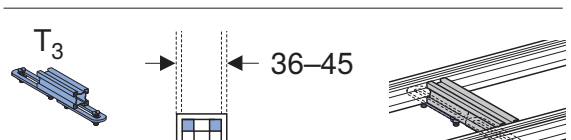
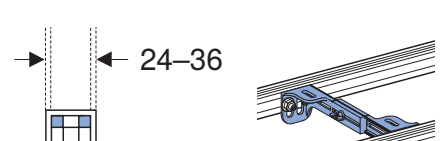
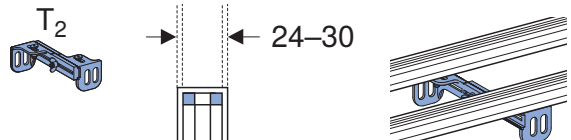
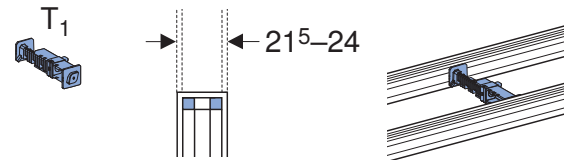
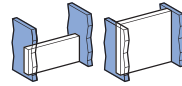
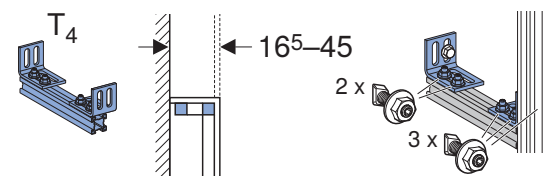
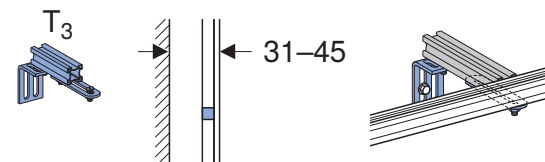
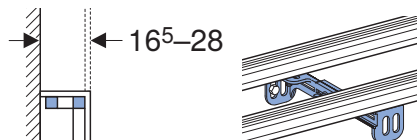
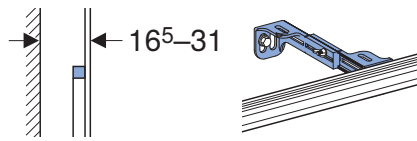
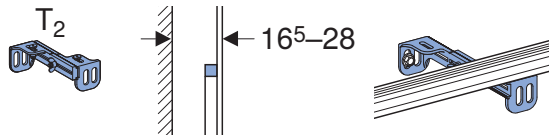
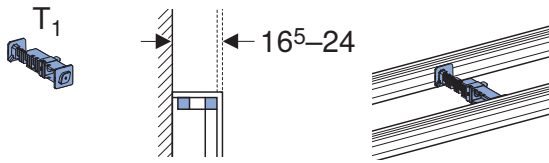
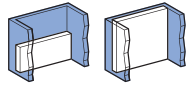


1

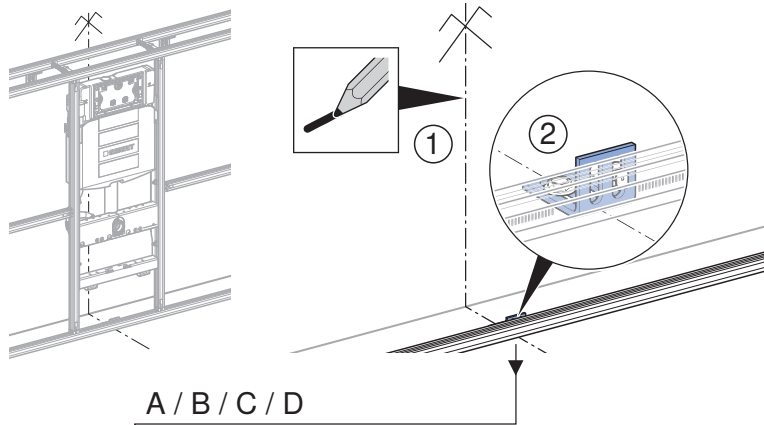


T ₁	T ₂	T ₃	T ₄	V
16 ⁵ -24	24 ⁵ -36	36 ⁵ -45	16 ⁵ -45	-
16 ⁵ -24	18 ⁵ -31	31 ⁵ -45	16 ⁵ -45	-
21 ⁵ -24	24 ⁵ -36	36 ⁵ -45	21 ⁵ -45	✓

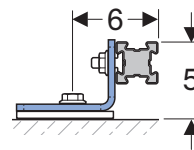
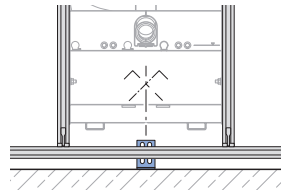
	A ≤ 62 K = 41 ⁺² ₋₁	A ≤ 62 K = 44-52	A ≤ 70 K = 44-52



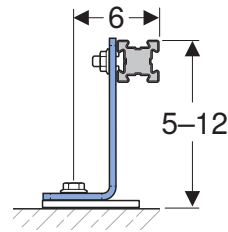
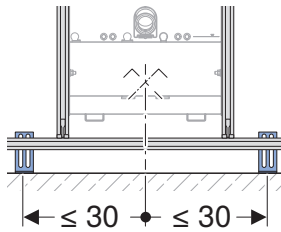
1



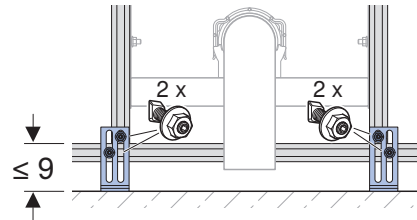
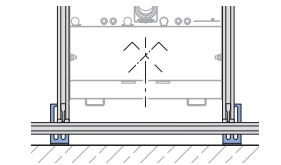
A
75 x 55



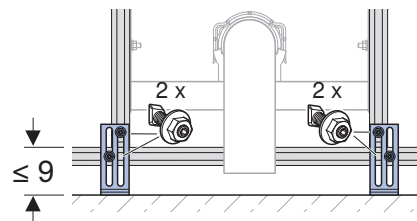
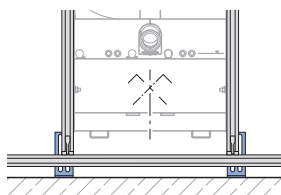
B
12 x 55



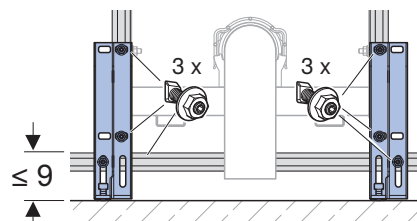
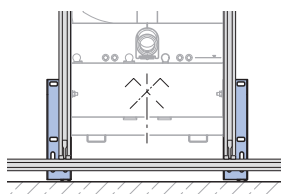
+
12 x 55



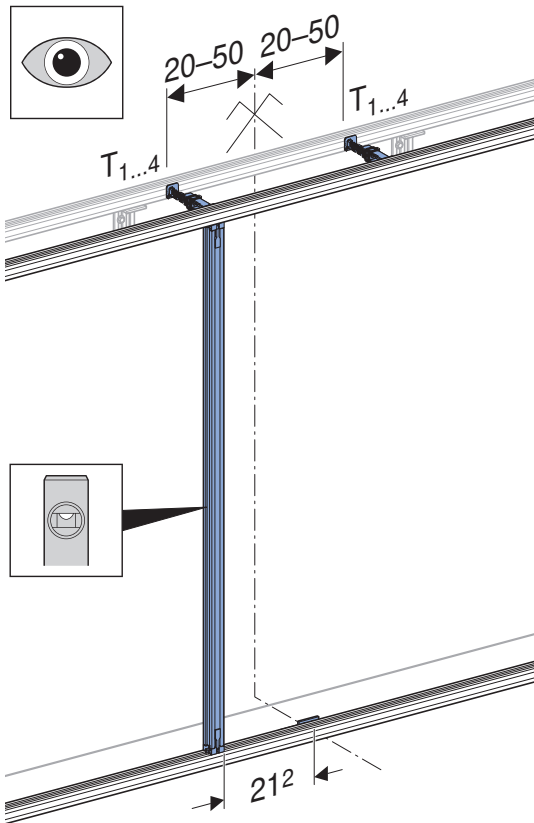
C
13 x 13



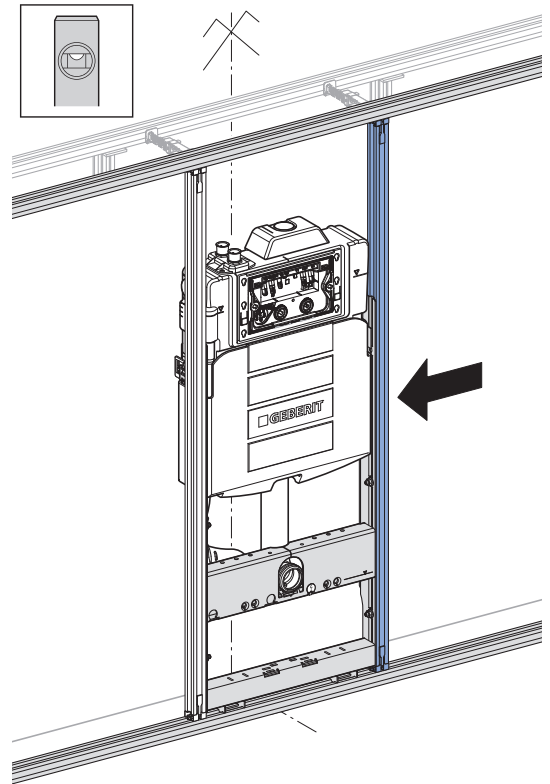
D
H > 360 / B > 250



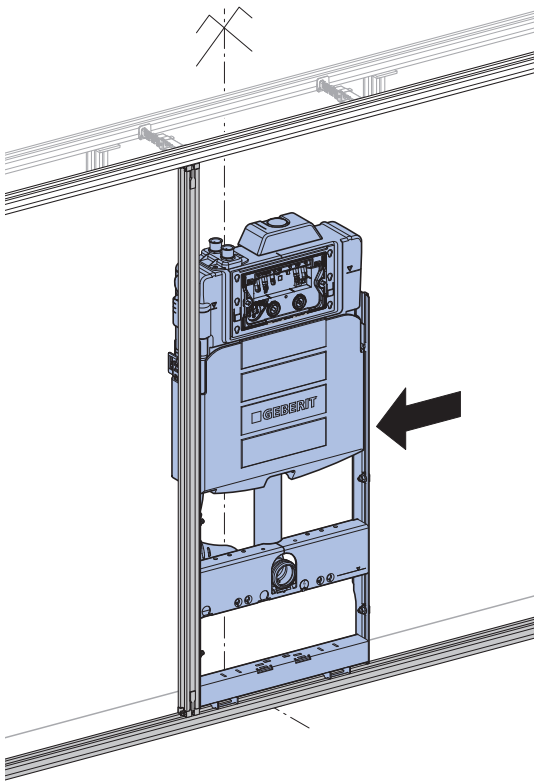
2



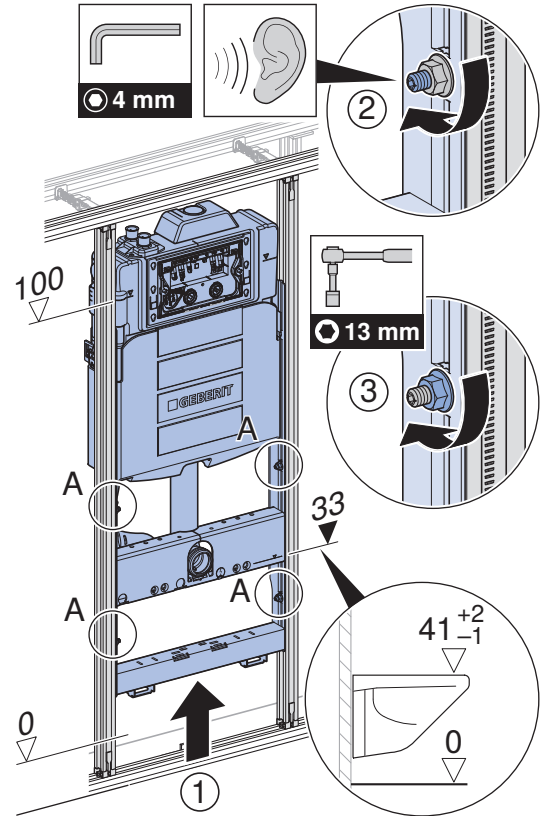
4



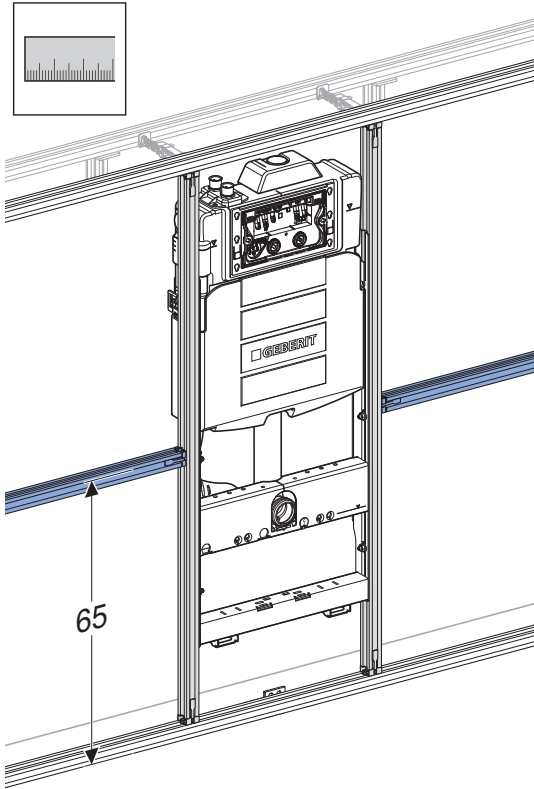
3



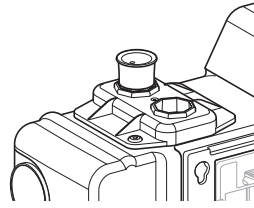
5



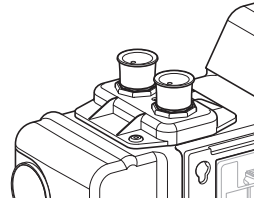
6



2



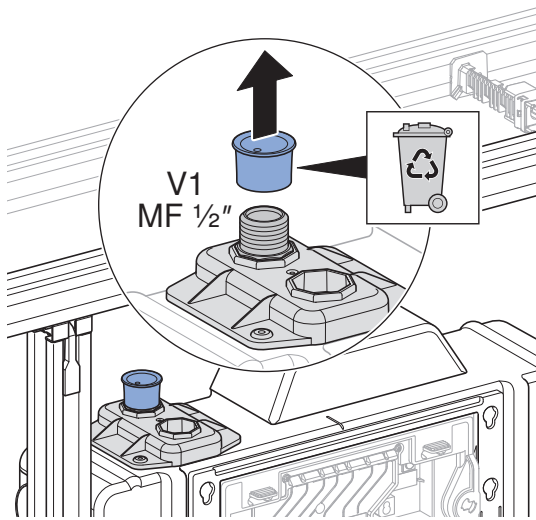
→ 2 A 8



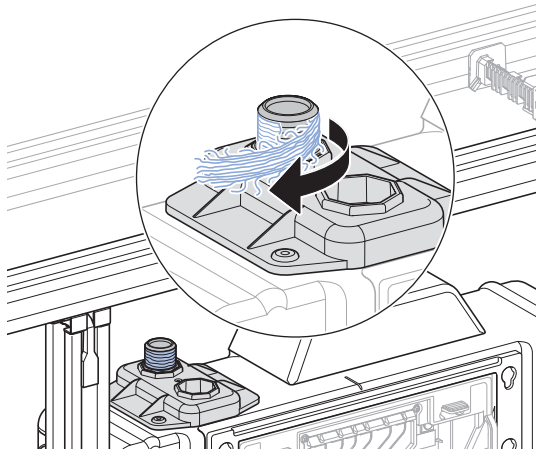
→ 2 B 9

2 A

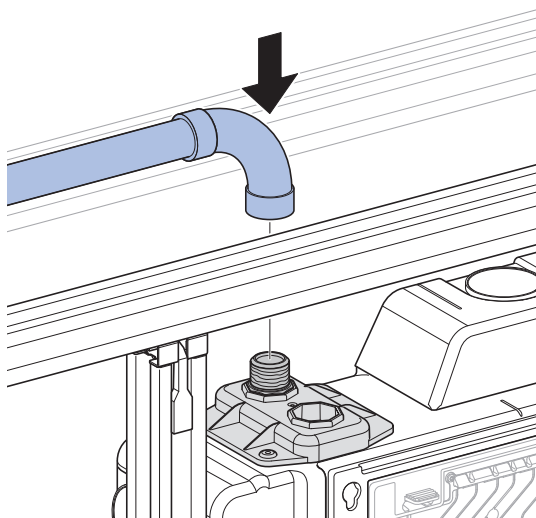
1



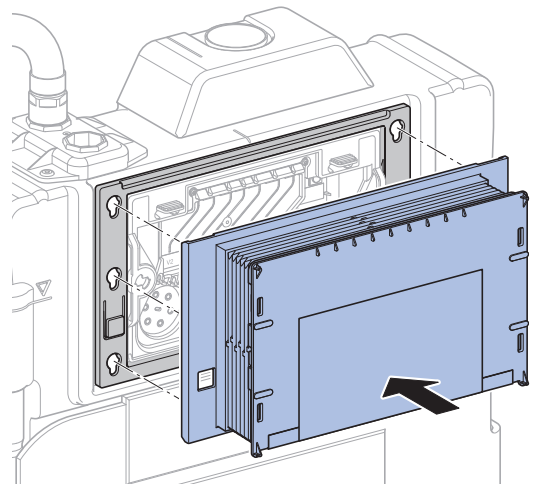
2



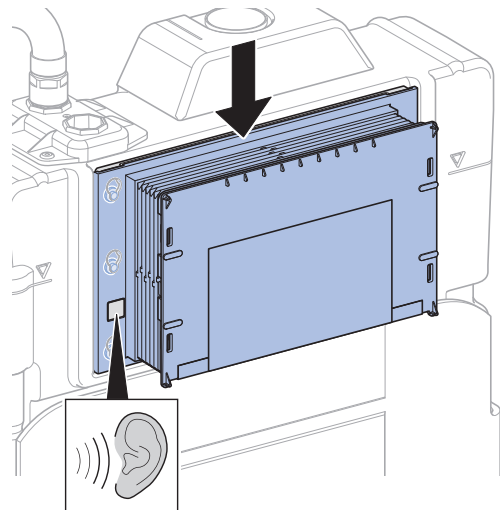
3



4

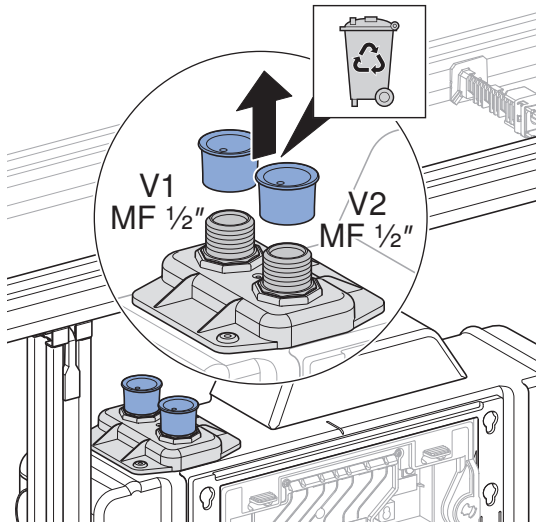


5

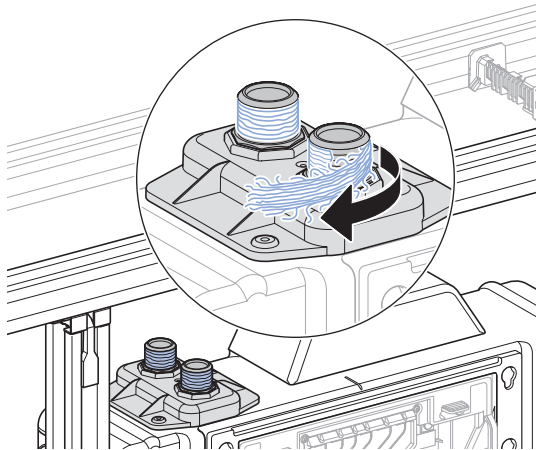


2 B

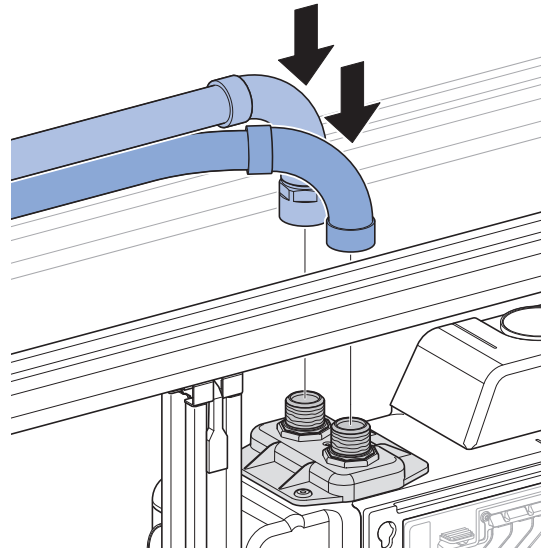
1



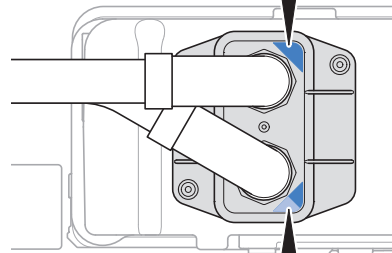
2



3



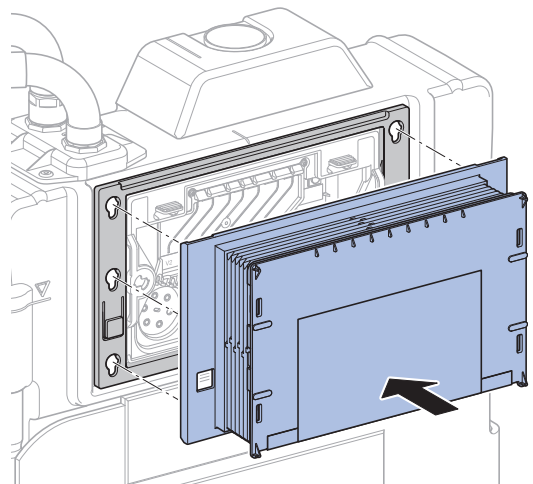
COLD
KALT
FROID
FREDDO



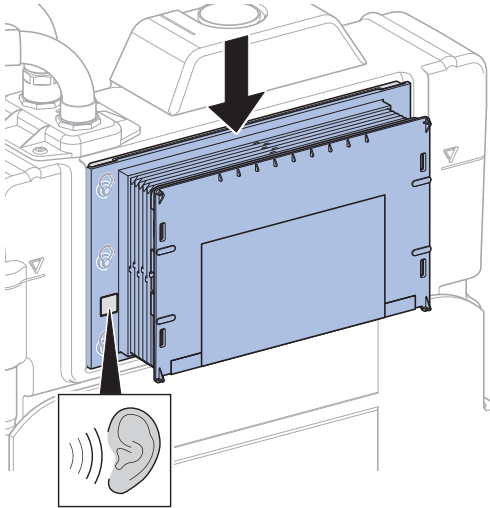
HOT
WARM
CHAUD
CALDO

COLD
KALT
FROID
FREDDO

4

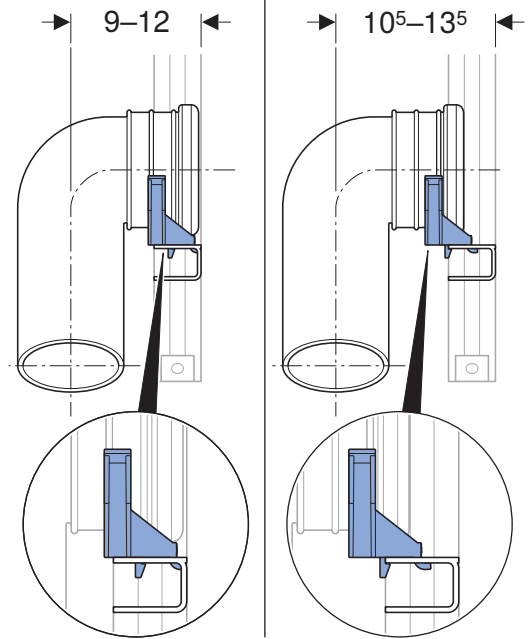


5

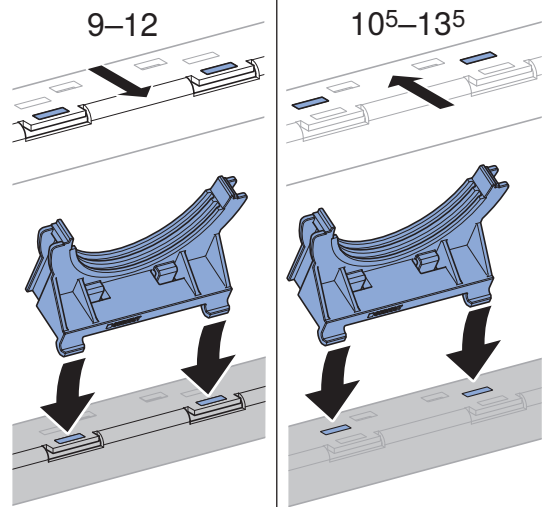


3

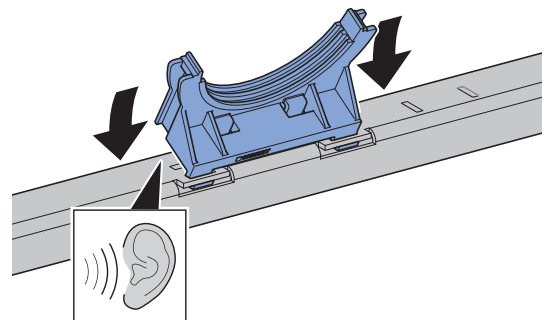
i



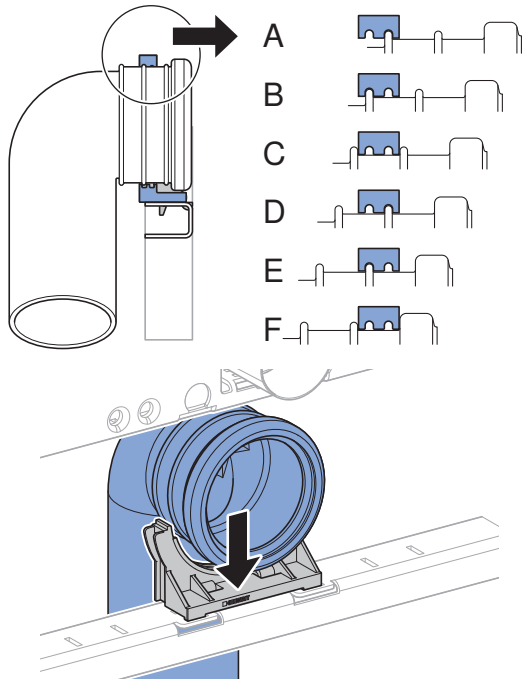
1



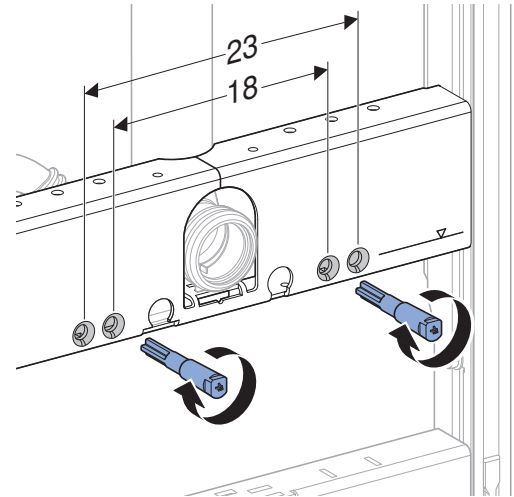
2



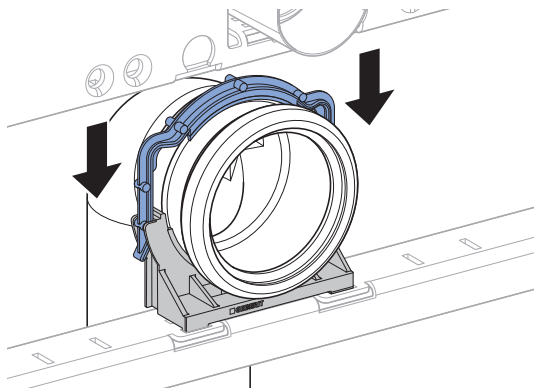
3



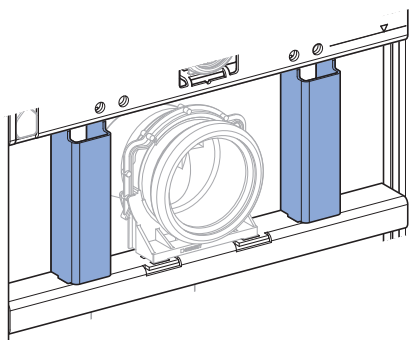
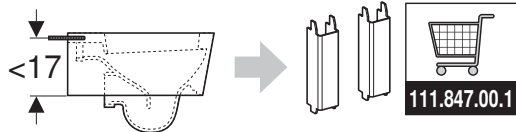
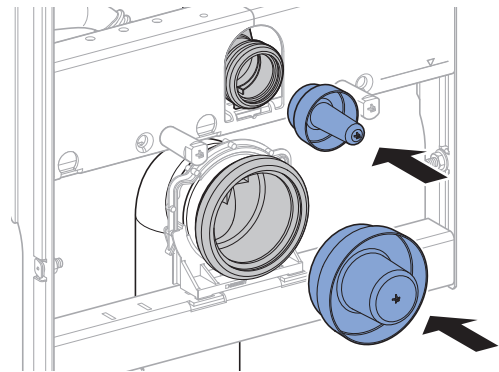
5



4



6

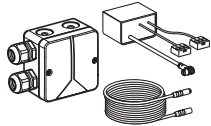


4

✓

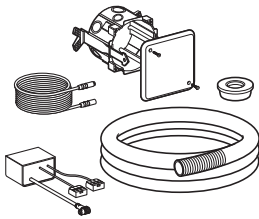


i



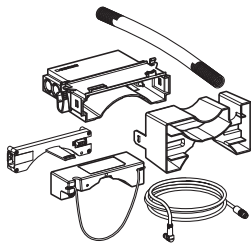
12 V

i



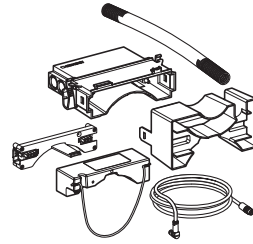
12 V

i



12 V

i



12 V + GEBUS

