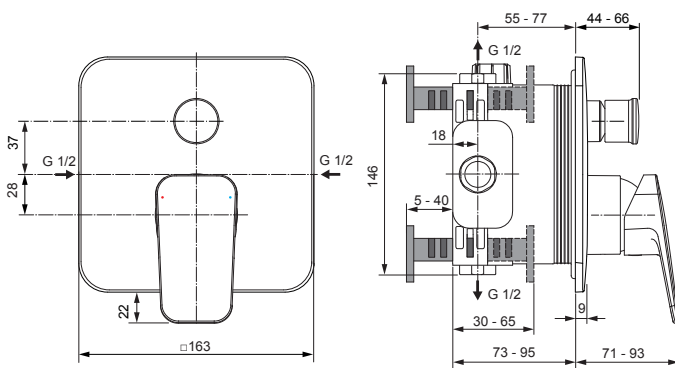
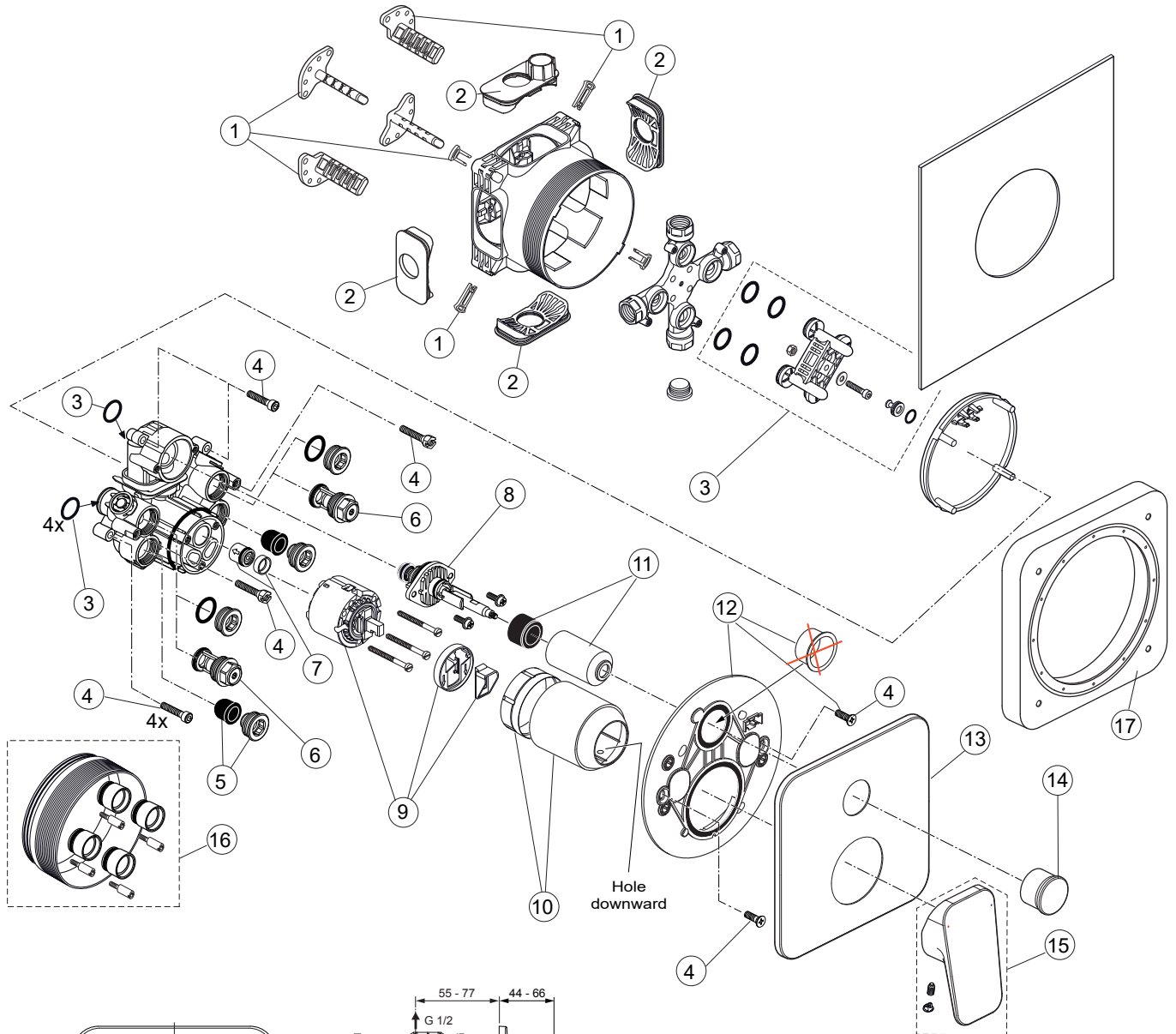


Produced since: July 2021

Pre-installation Kit 1 - Easy Box **A1000NU**



Body and Designparts Kit 2 - **BD262AA**
DVGW

Pos.	Description	Part-Number	Qty.	Pos.	Description	Part-Number	Qty.
1	Install. depth adjust.	A 963 131 NU	1 Set	13	Escutcheon B/S plane	A 860 900 AA	1 pcs
2	Side sealing	A 963 132 NU	1 Set	14	Pull knob	A 860 901 AA	1 pcs
3	Flushing device cpl.	A 963 146 NU	1 Set	15	Lever cpl. with Ring-Logo	A 861 555 AA	1 Set
4	Screw set complete	A 960 890 NU*	1 Set	16	Extension kit 20mm	A 960 704 NU	1 Set
5	Low noise insert	A 960 891 NU	1 pcs	17	Extension kit 40mm	A 962 476 NU	1 Set
6	Stop valve	A 960 706 NU	2 pcs		Distanzframe 20mm	A 6678 AA	1 Set
7	Non-return valve + ring	A 962 866 NU	1 Set				
8	Diverter complete	A 963 443 NU	1 pcs				
9	Cartridge with ECO-kit	A 960 500 NU	1 Set				
10	Cover + clamping + O-ring	A 861 441 AA	1 Set				
11	Cover / Cap for diverter	A 860 902 AA	1 pcs				
12	Escutcheon holder cpl.	A 860 897 NU	1 Set				

*Universal set (not all parts needed)