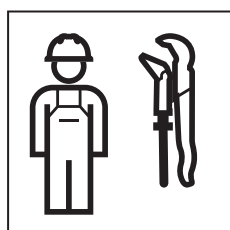


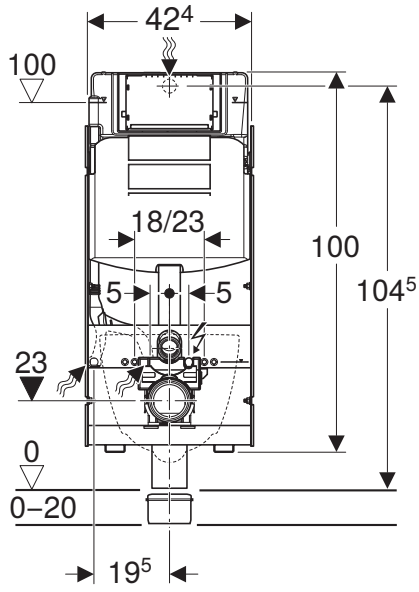
INSTALLATION MANUAL

MONTAGEANLEITUNG
INSTRUCTIONS DE MONTAGE
ISTRUZIONI PER IL MONTAGGIO

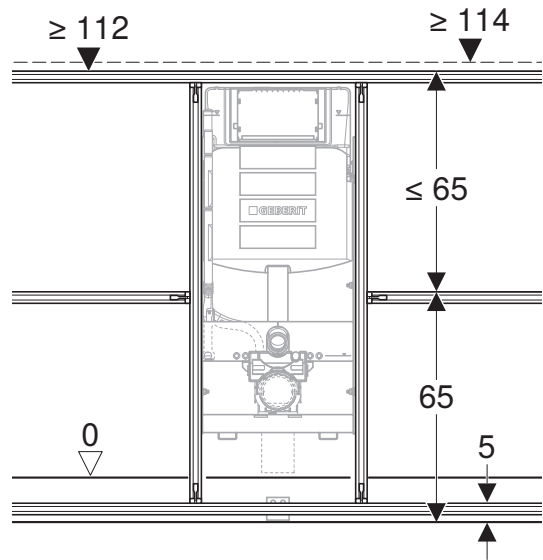
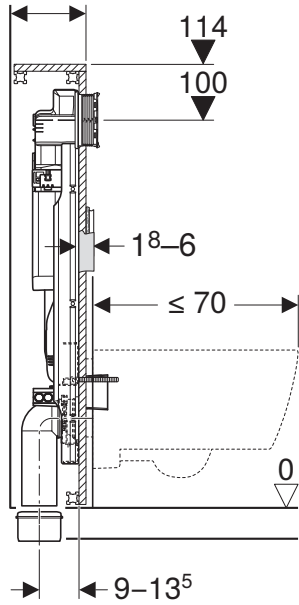


970.073.00.002



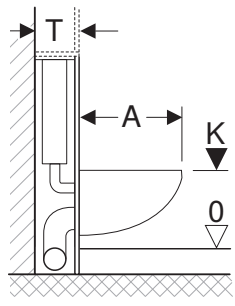


$\geq 16^5$ (DN 90)
 $\geq 19^5$ (DN 100)



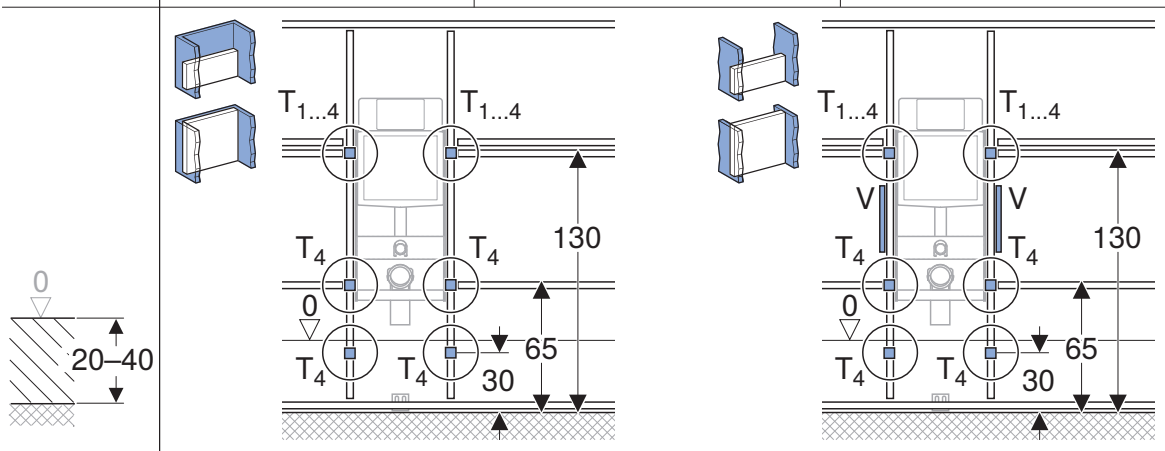


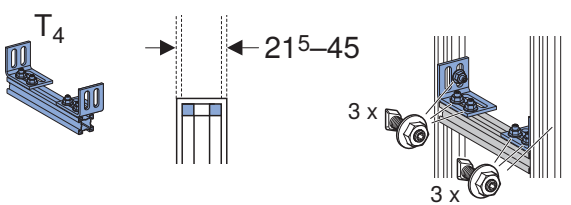
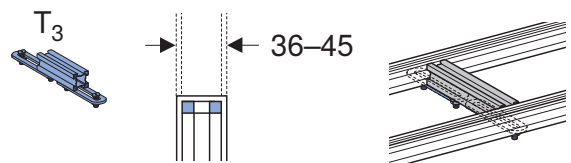
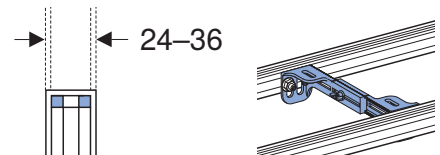
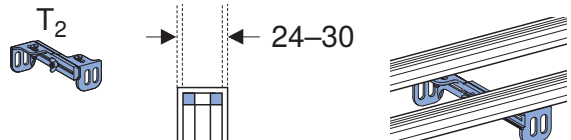
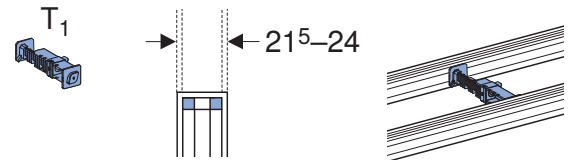
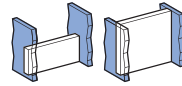
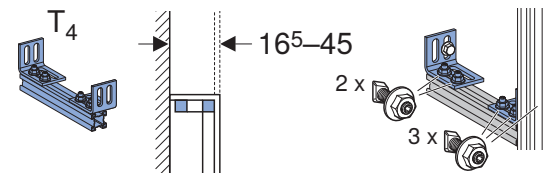
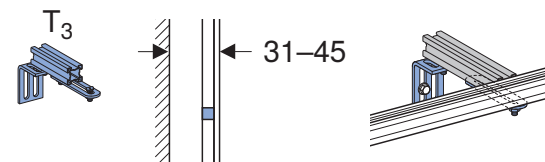
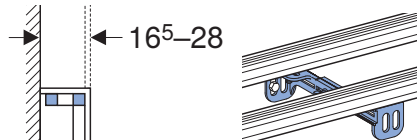
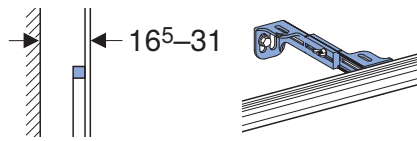
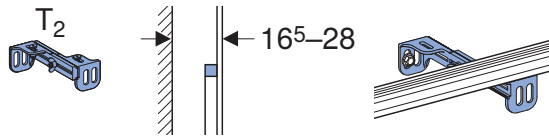
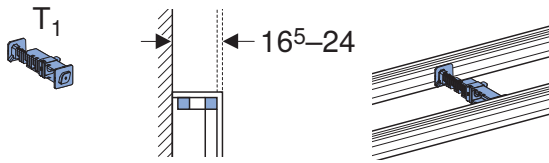
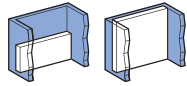
1



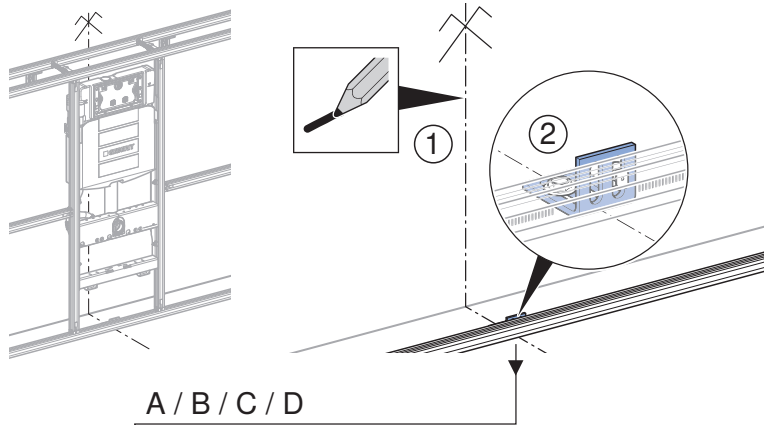
	T ₁	T ₂	T ₃	T ₄	V
	16 ⁵ -24	24 ⁵ -36	36 ⁵ -45	16 ⁵ -45	-
	16 ⁵ -24	18 ⁵ -31	31 ⁵ -45	16 ⁵ -45	-
	21 ⁵ -24	24 ⁵ -36	36 ⁵ -45	21 ⁵ -45	✓

	A ≤ 62 K = 41 ⁺² ₋₁	A ≤ 62 K = 44-52	A ≤ 70 K = 44-52

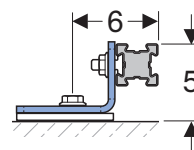
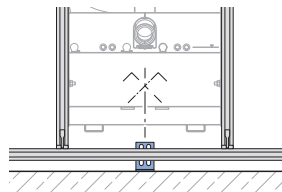




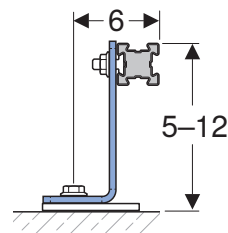
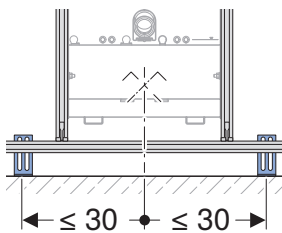
1



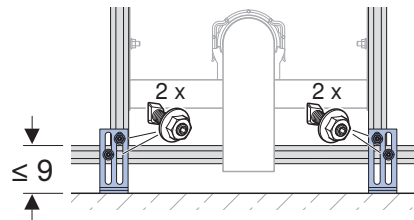
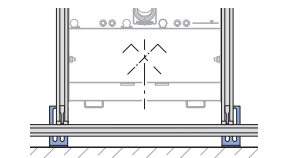
A
75 x 55



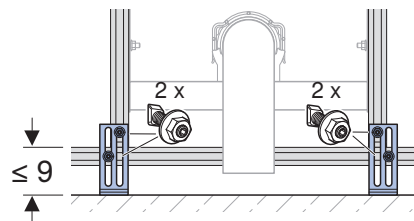
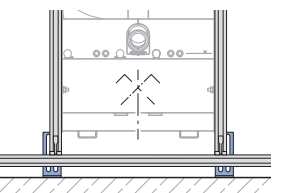
B
12 x 55



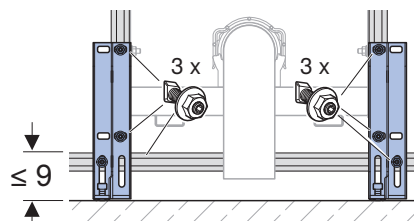
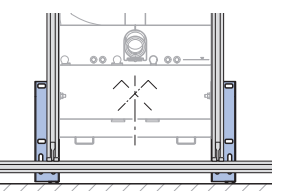
+
12 x 55



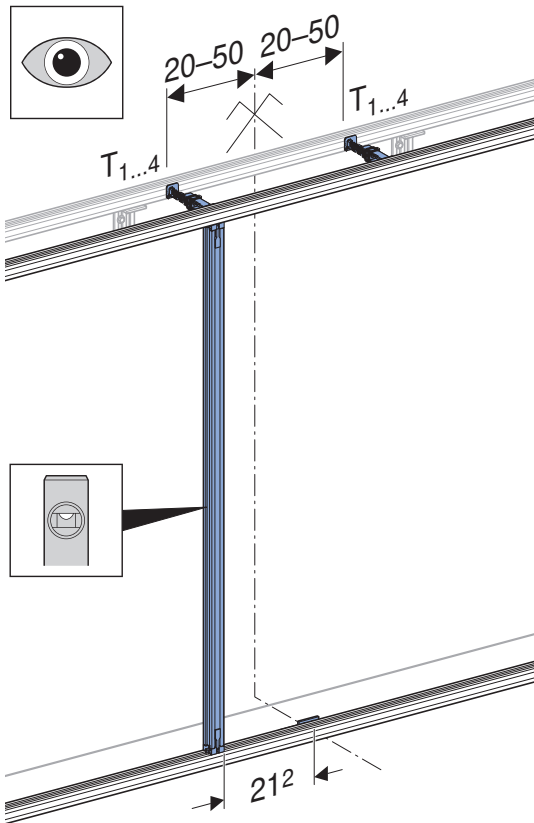
C
13 x 13



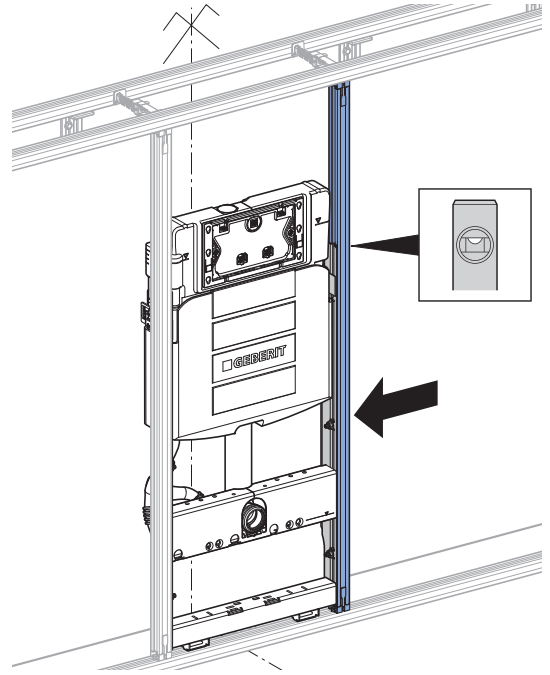
D
H > 360 / B > 250



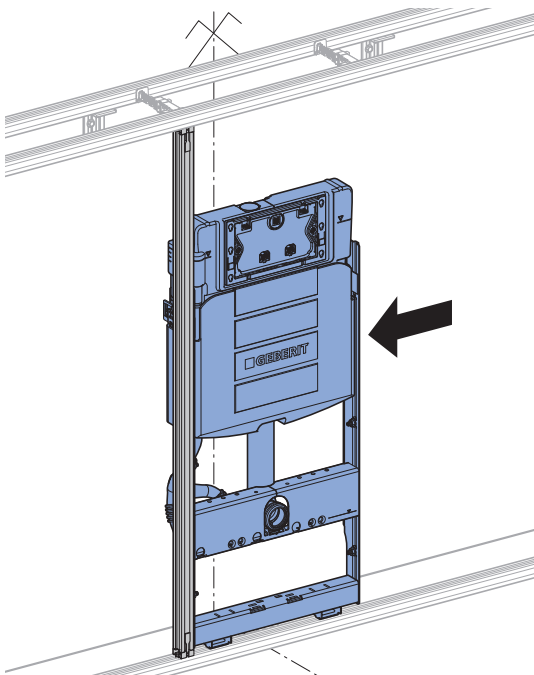
2



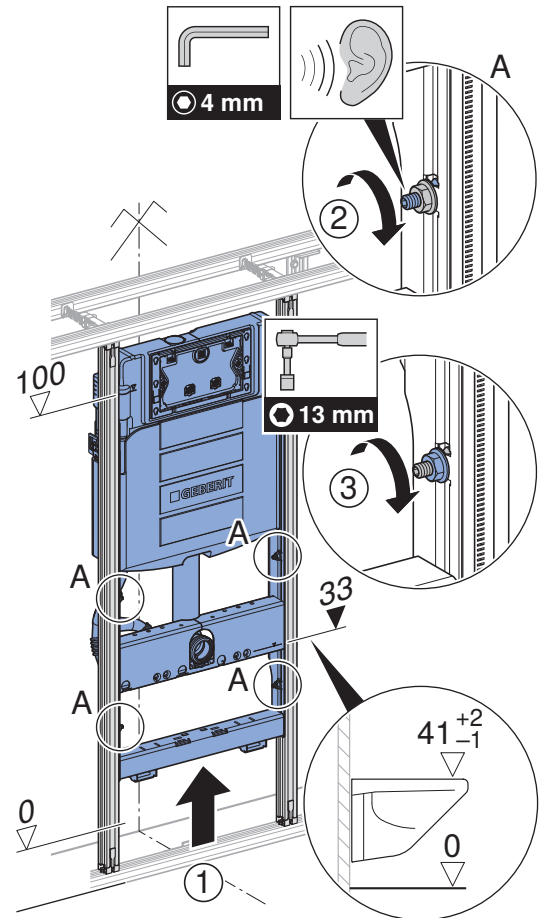
4



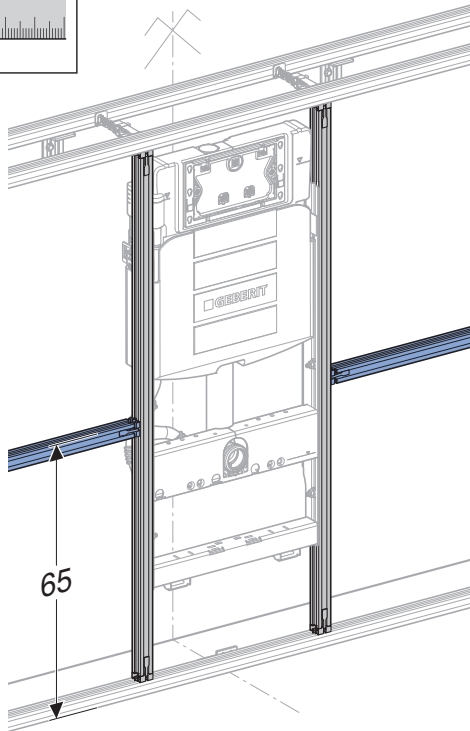
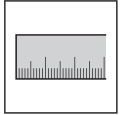
3



5

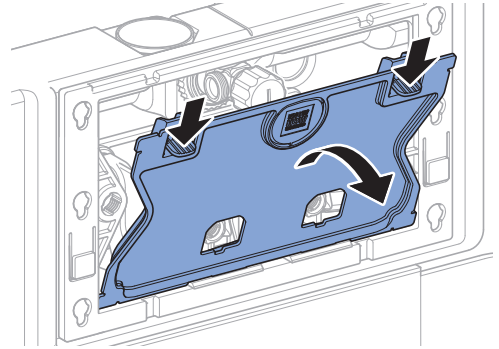


6

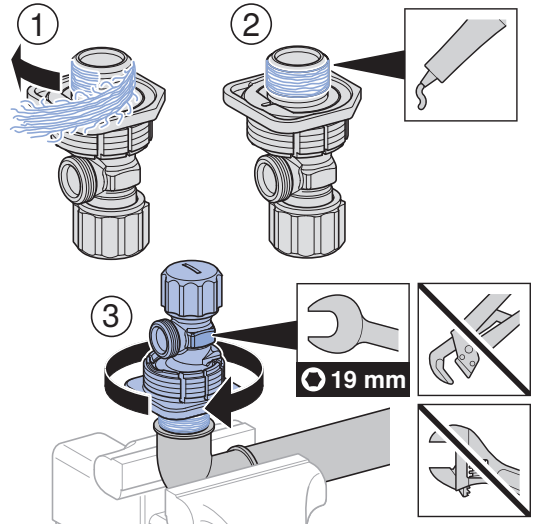


2

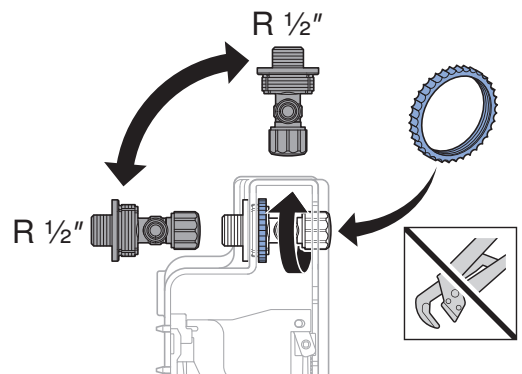
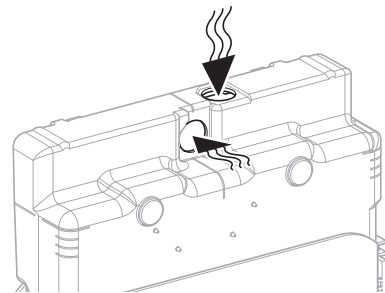
1



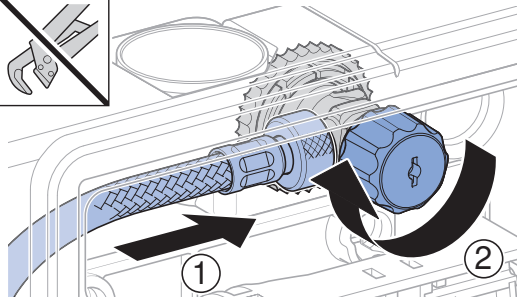
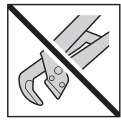
2



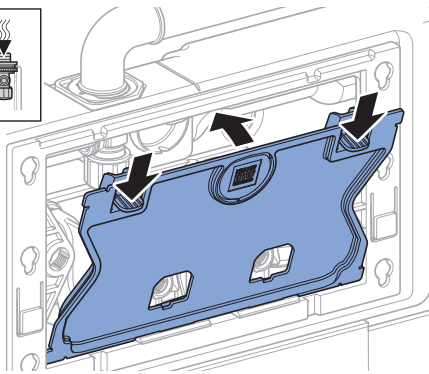
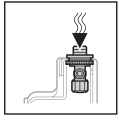
3



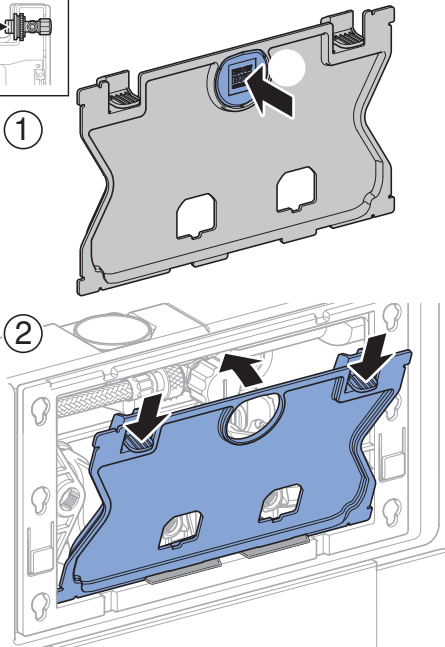
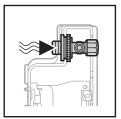
4



5



i

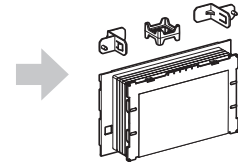
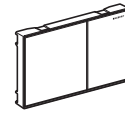


i

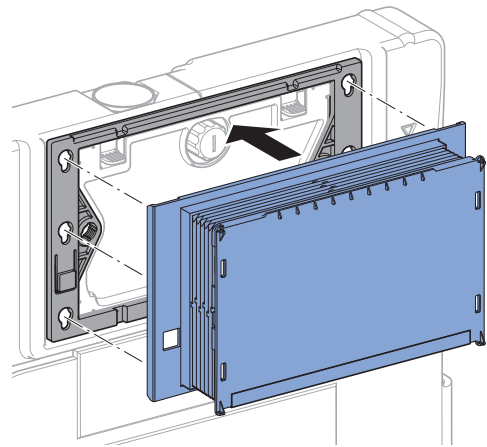


?

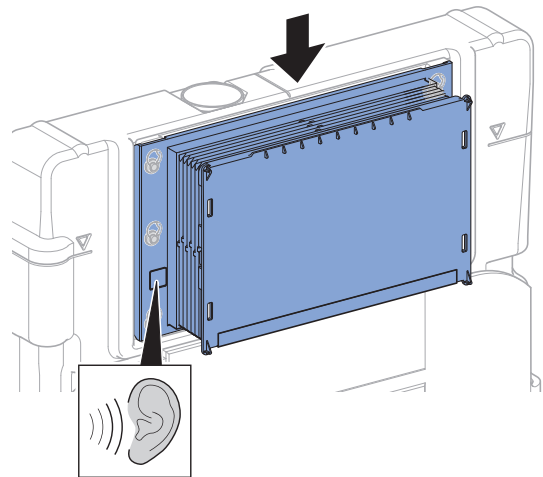
Sigma60



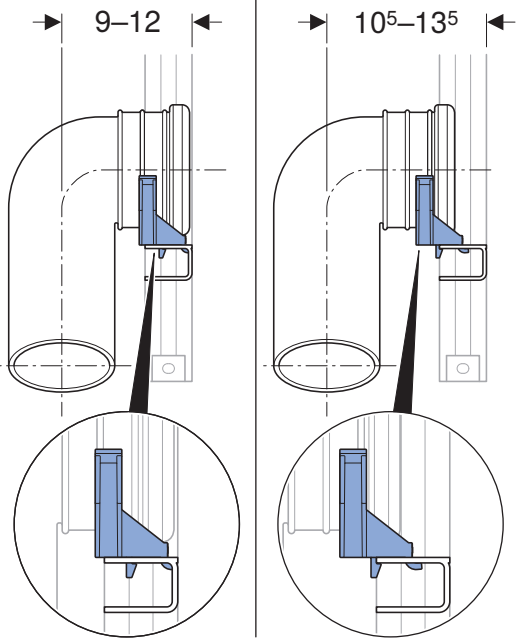
6



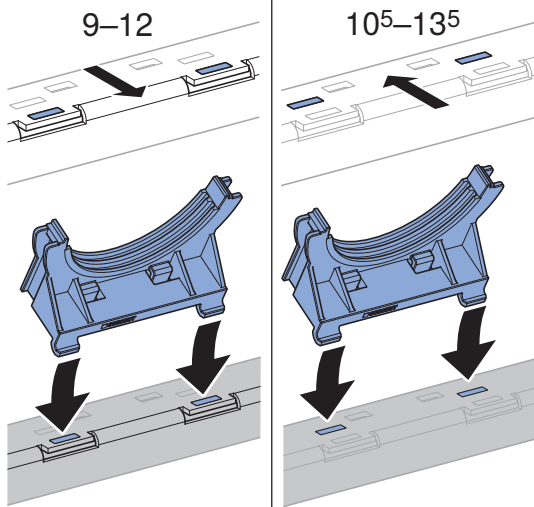
7



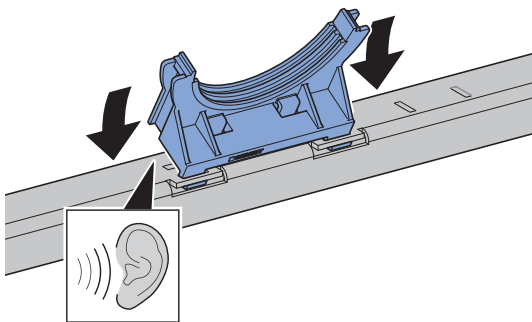
3



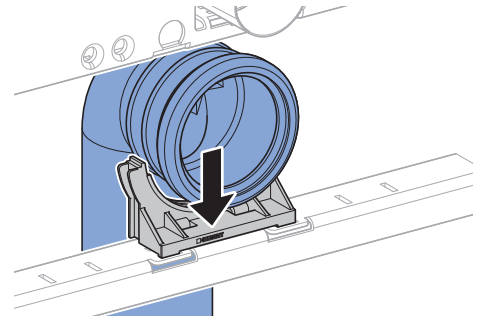
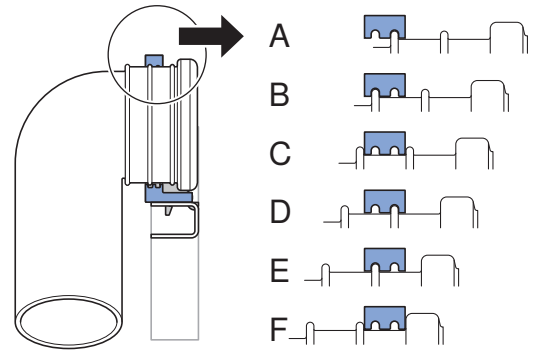
1



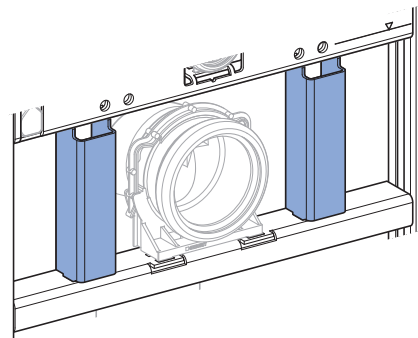
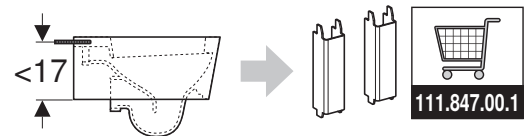
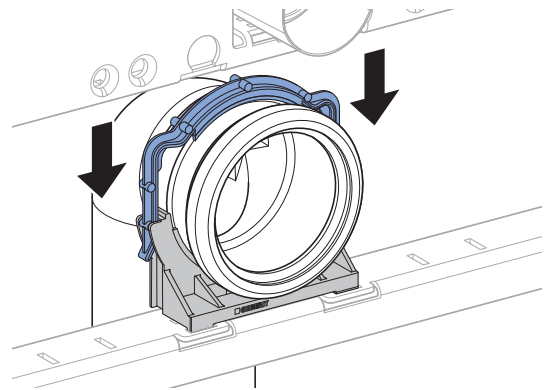
2



3

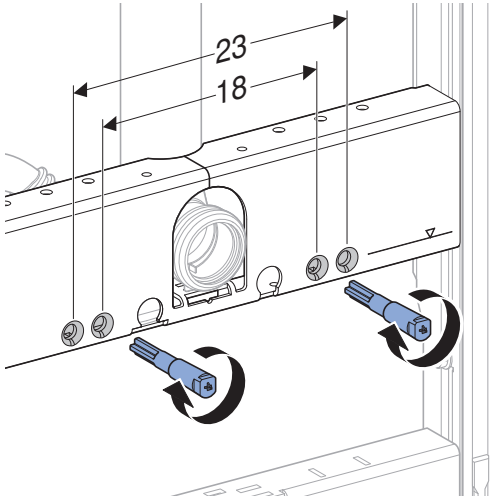


4

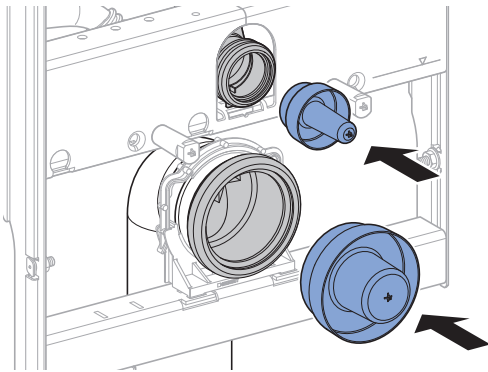


4

1

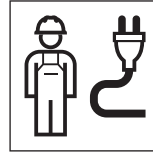


2

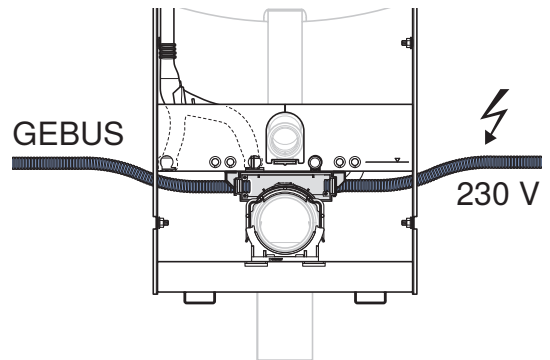
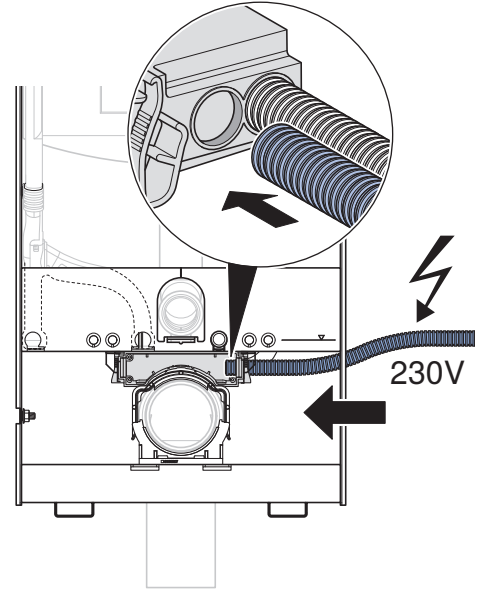


5

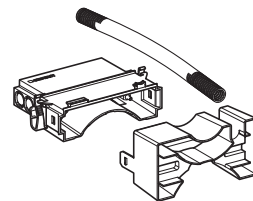
✓



1



i





Geberit International AG
Schachenstrasse 77, CH-8645 Jona
documentation@geberit.com
www.geberit.com