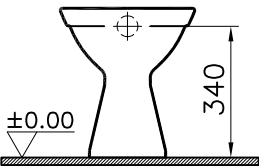
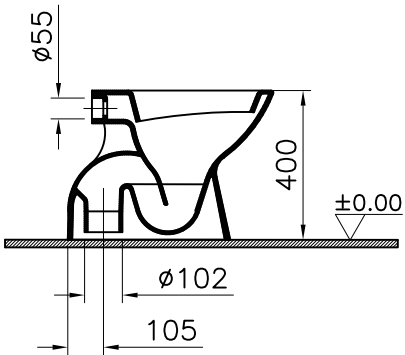
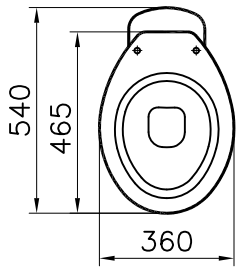


Theoretic Mass(kg)		Revision	
Surface Area(dm ²)		A4	

Thread	Hole	Shaft



04	Replaces drawing dated 03.10.2006	23.09.2009	GOKHAN
R.S	Description	Date	NAME

1	1	WC Pan	6859-1030	Ceramic			
item	Quantity	Part Name	Drawing No	Material	Material Class		
		Series	Ceramic	Material Class			
		NORM	WC Pan				
Drawn By		Controlled By	Approved By	Date	Drawing No	Scale	VitrA® ARTEMA®
U.AYDÖNER		O.KONEZ	B.TOPÇU	03.10.2006	6859	1/20	

This drawing can only be used for the intended purposes. Unauthorized copying is strictly prohibited.