

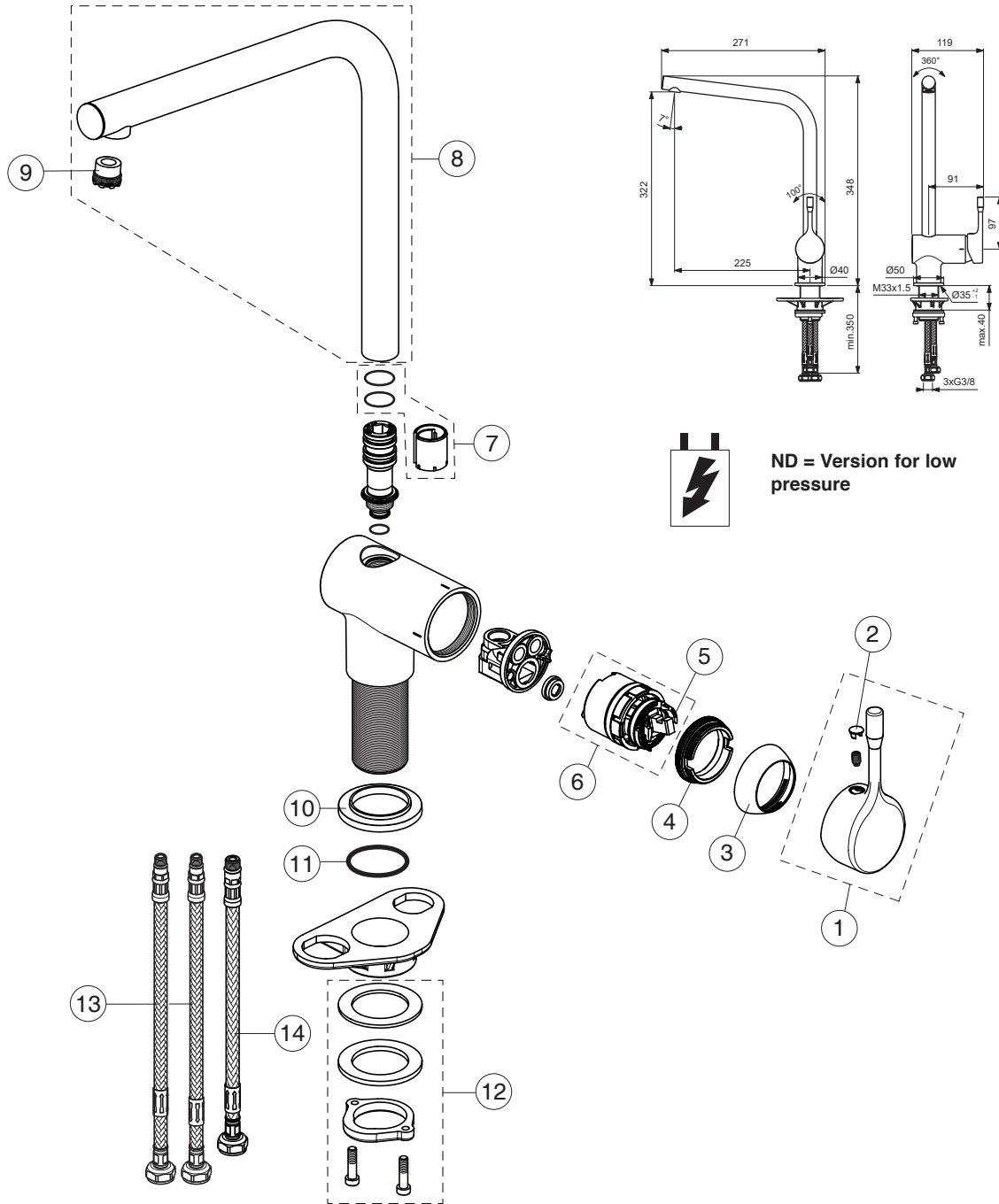


CERALOOK

Ideal Standard

Produced from: Jan.2023

BC175AA



Pos.	Signify	Spare parts-Nr.	Quantity	Pos.	Signify	Spare parts-Nr.	Quantity
1	Lever,w/logo-set	B961580AA	1 Set				
2	Cap decorative	B960473AA	1 Set				
3	Rosette	B961438AA	1 Pcs.				
4	Screw M41x1.5/M38x1.5	B961374NU	1 Pcs.				
5	Hot limit stop	A861181NU	1 Pcs.				
6	Cartridge Ø38mm	A861156NU*	1 Pcs.				
7	Sealing set for tub.spout	B961574NU	1 Set				
8	Tub.spout -compl.	B961590AA	1 Set				
9	Flow liner M16.5x1	B960500NU	1 Pcs.				
10	Rosette decorative	B960712AA	1 Pcs.				
11	O-Ring 37,77 X 2,62	A962574NU	1 Pcs.				
12	Connecting group	B960255NU	1 Set				
13	Fl.hose G3/8/M8x1 /L500	B960221NU	1 Pcs.				
14	Fl.pexhose G3/8,L445mm	B960535NU	1 Pcs.				

*Universal set (not all parts needed)

12.2022

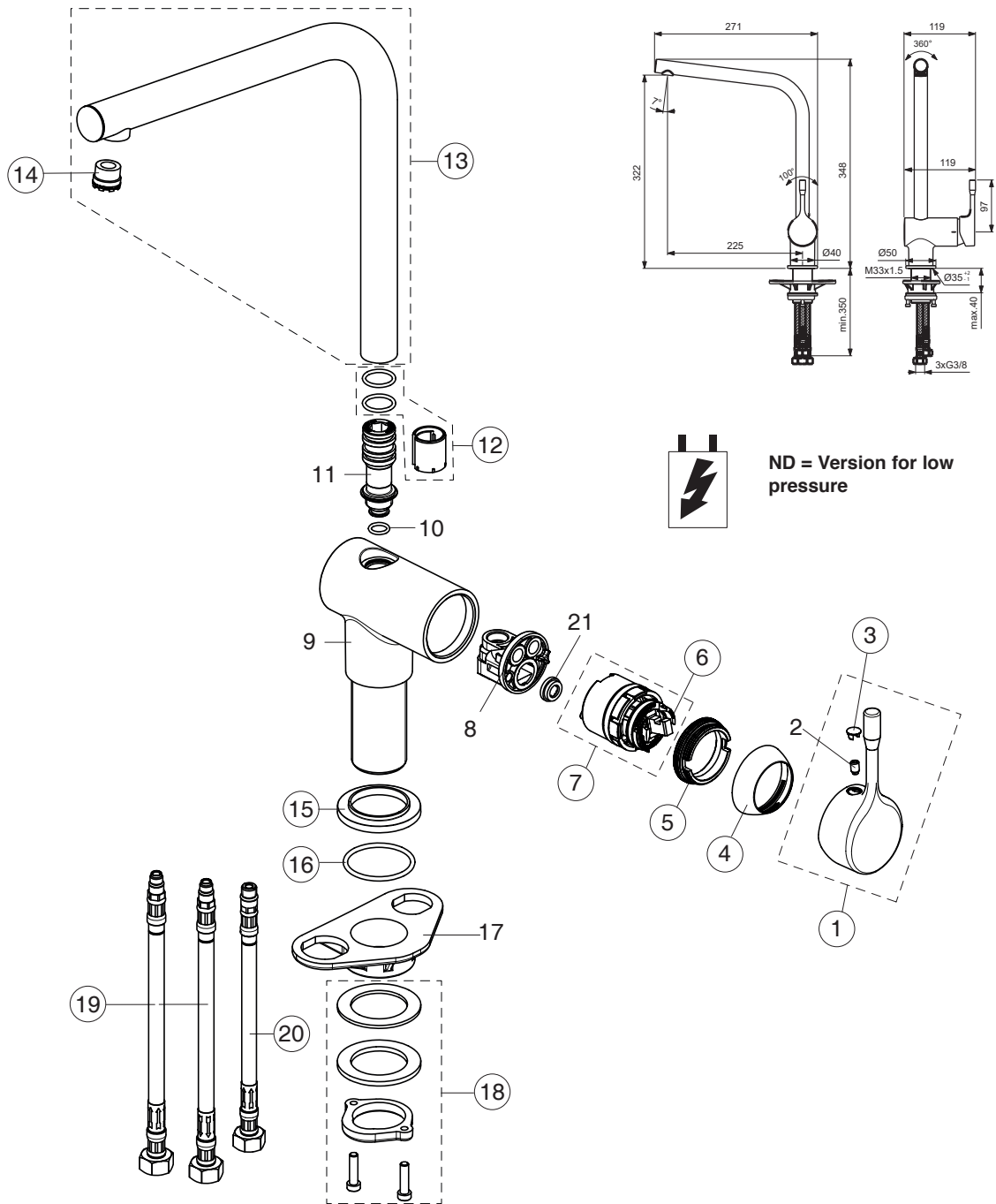


CERALOOK

Ideal Standard

Produced from: Oct.2020

BC175AA



ND = Version for low pressure

Pos.	Signify	Spare parts-Nr.	Quantity	Pos.	Signify	Spare parts-Nr.	Quantity
1	Lever,w/logo-set	B961580AA	1 Pcs.	16	O-Ring 37,77 X 2,62	A962574NU	1 Pcs.
2	Screw M5x8		1 Pcs.	17	U plate support bracket fix.kit		1 Pcs.
3	Cap decorative	B960473AA	1 Pcs.	18	Connecting group	B960255NU	1 Pcs.
4	Rosette	B961438AA	1 Pcs.	19	Flexhose.M8X1-G3/8I	A962005NU	1 Pcs.
5	Screw M41x1.5/M38x1.5	B961374NU	1 Pcs.	20	-D4,7/11,5-DN6X500		
6	Hot limit stop	A861181NU	1 Pcs.	21	Flexhose G3/8-M10X1-445	A963600NU	1 Pcs.
7	Cartridge Ø38mm	A861156NU*	1 Pcs.		Flow limiter,ND		1 Pcs.
8	Manifold		1 Pcs.				
9	Body		1 Pcs.				
10	O-Ring Ø39.1x1.3		1 Pcs.				
11	Nipple		1 Pcs.				
12	Sealing set for tub.spout	B961574NU	1 Set.				
13	Tub.spout -compl.	B961590AA	1 Set.				
14	Flow liner M16.5x1	B960500NU	1 Pcs.				
15	Rosette decorative	B960712AA	1 Pcs.				

*Universal set (not all parts needed)

10.2020