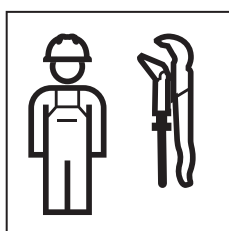


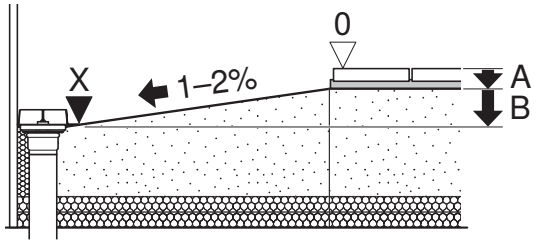
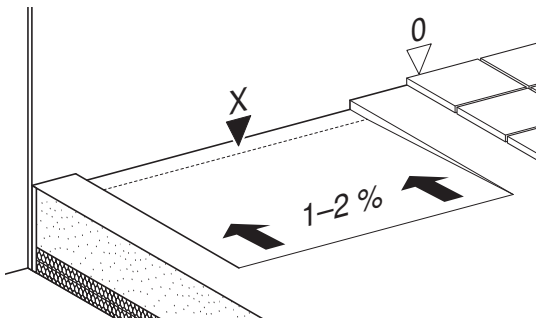
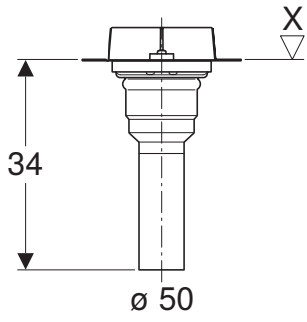
INSTALLATION MANUAL

MONTAGEANLEITUNG
INSTRUCTIONS DE MONTAGE
ISTRUZIONI PER IL MONTAGGIO



966.799.00.0(07)

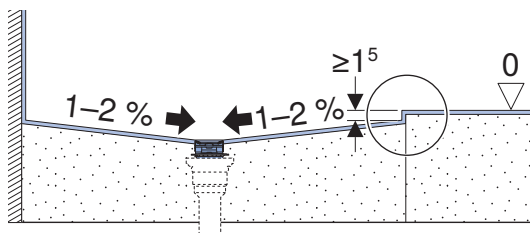
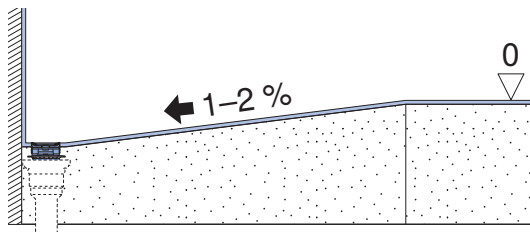




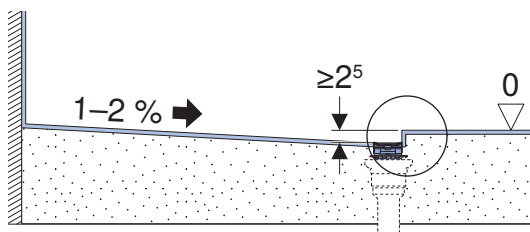
$$X = 0 - A - B$$



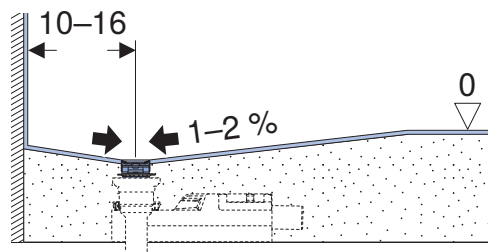
CleanLine20/60/80



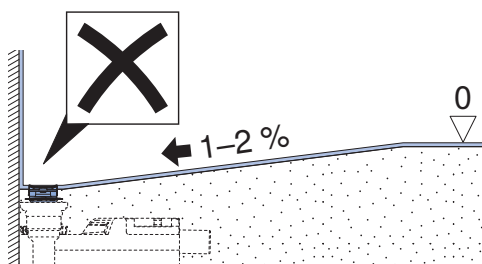
→ **A** 4



CleanLine50

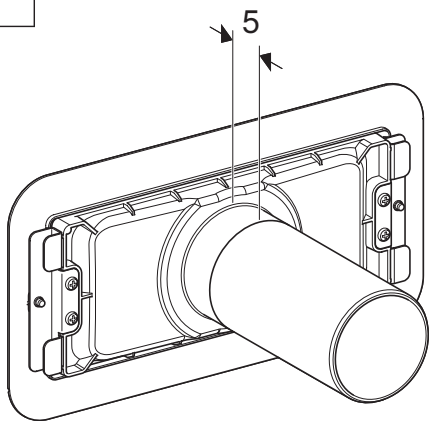


→ **B** 6

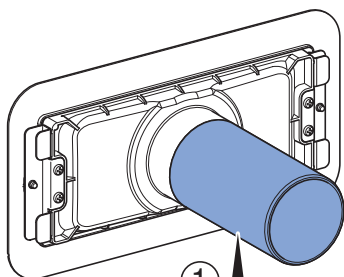


A

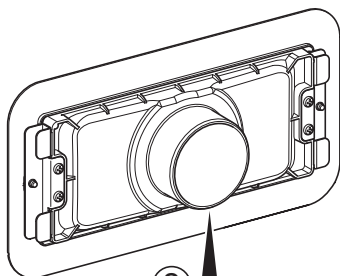
1



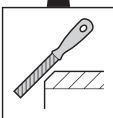
2



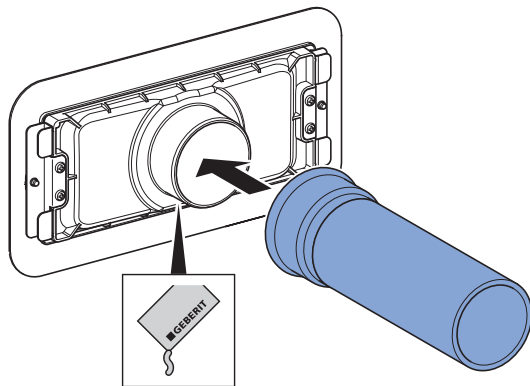
1



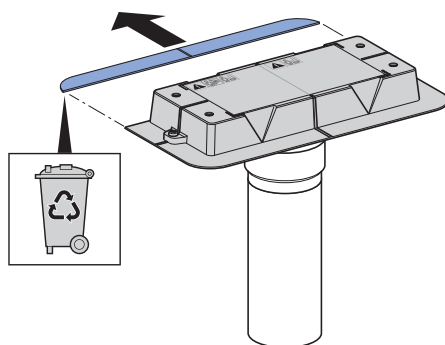
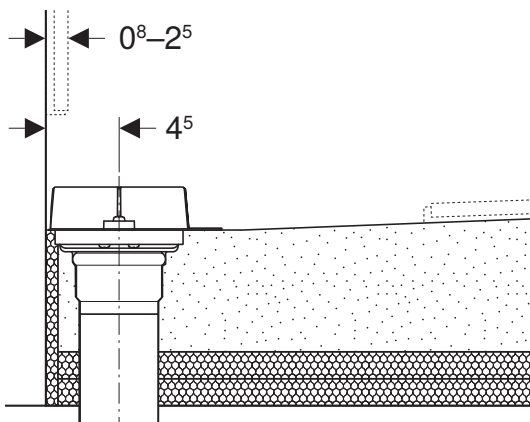
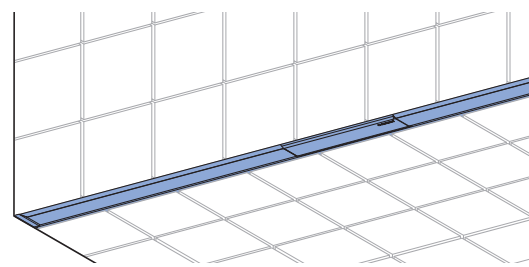
2



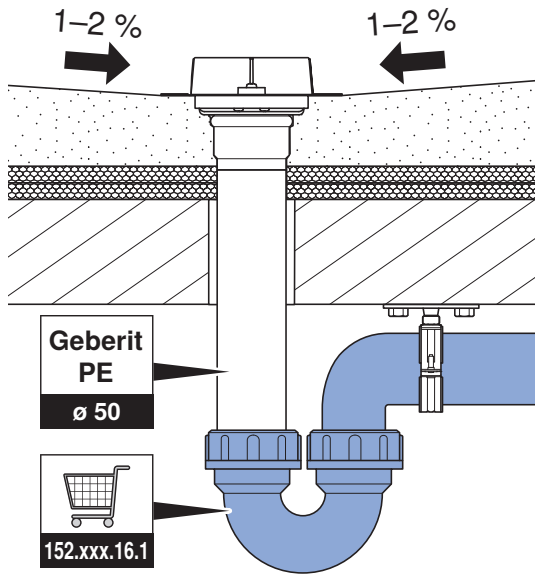
3



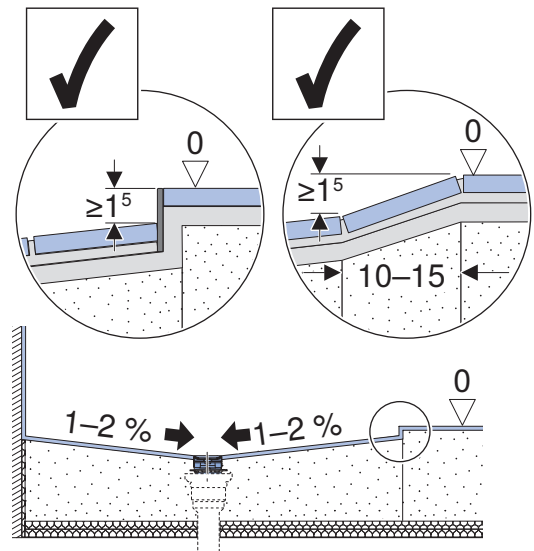
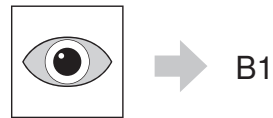
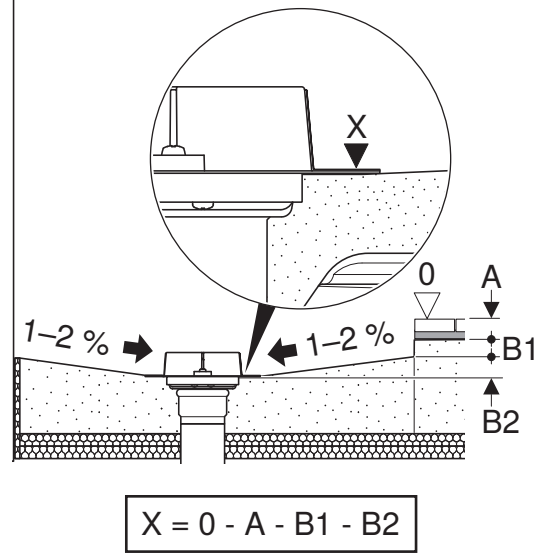
i



4

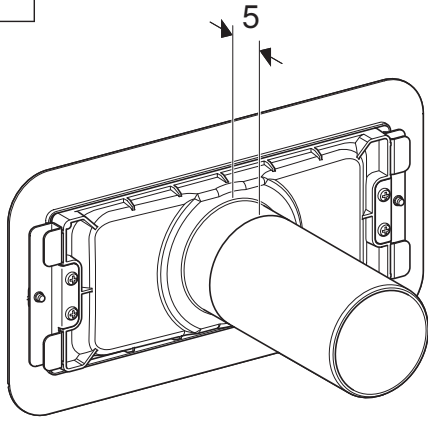


i

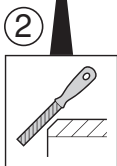
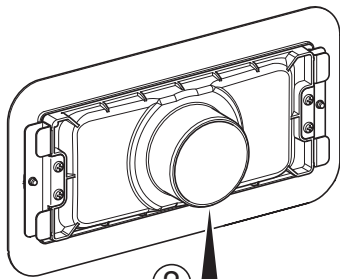
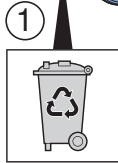
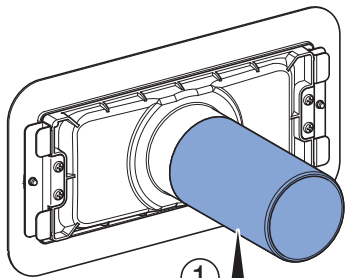


B

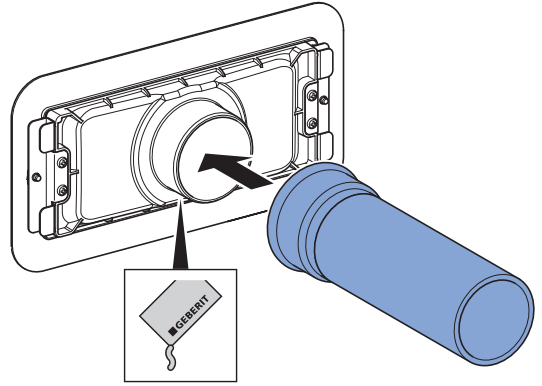
1



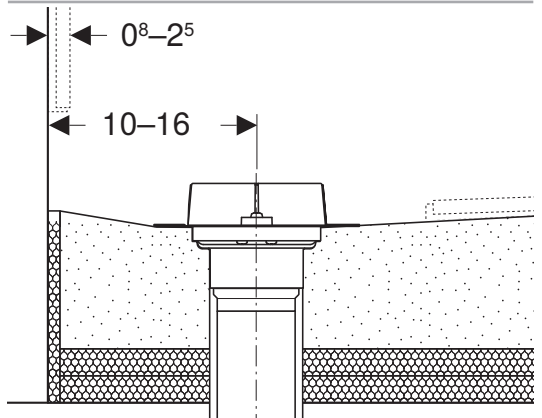
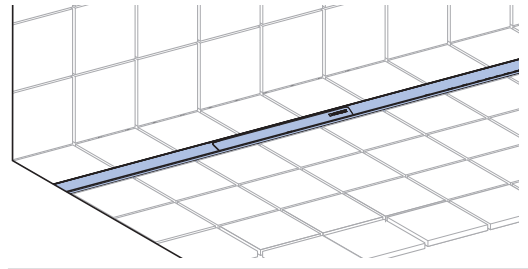
2



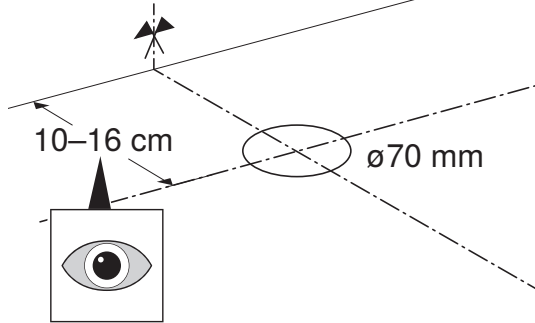
3



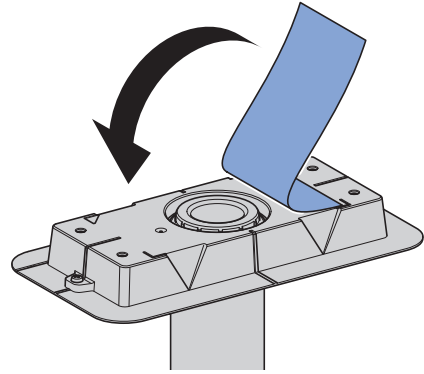
CleanLine50



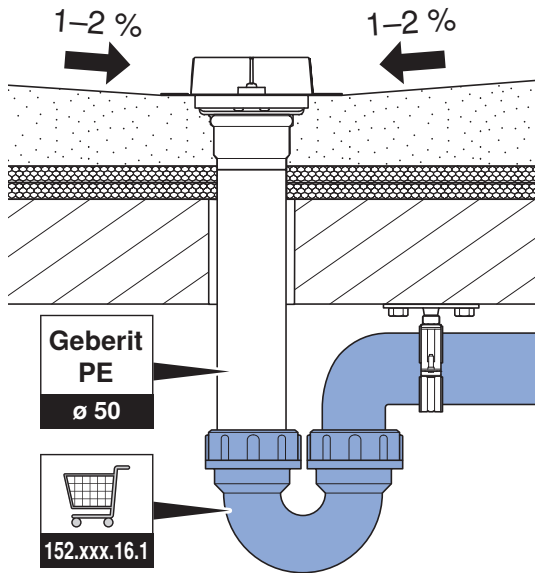
4



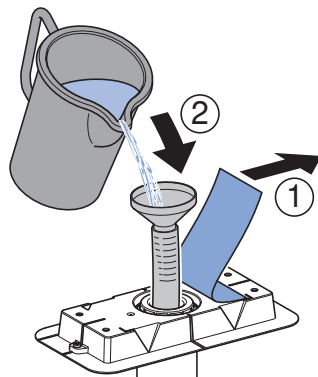
2



5



1



Geberit International AG
Schachenstrasse 77, CH-8645 Jona
documentation@geberit.com
www.geberit.com

