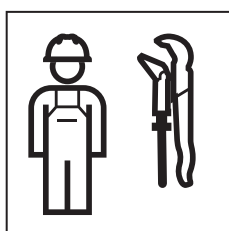


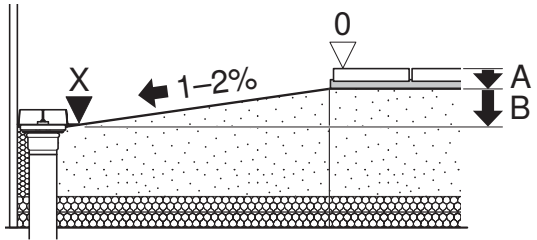
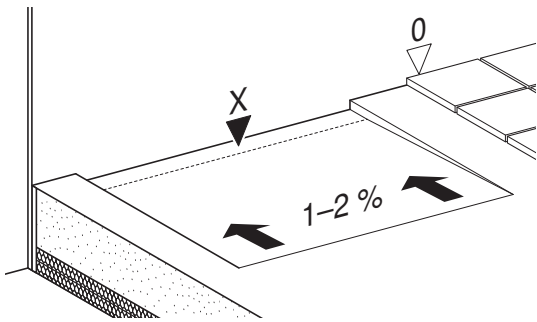
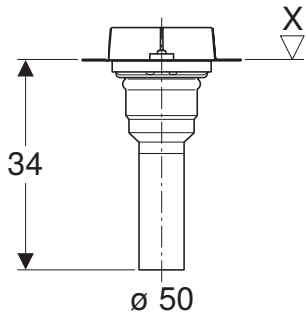
INSTALLATION MANUAL

MONTAGEANLEITUNG
INSTRUCTIONS DE MONTAGE
ISTRUZIONI PER IL MONTAGGIO



966.799.00.0(06)

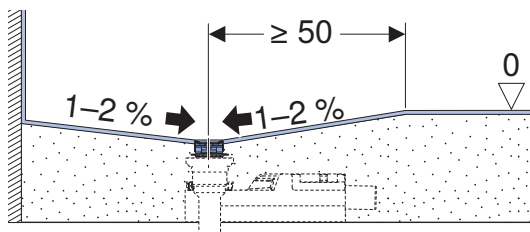
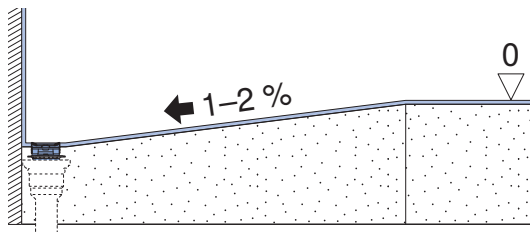




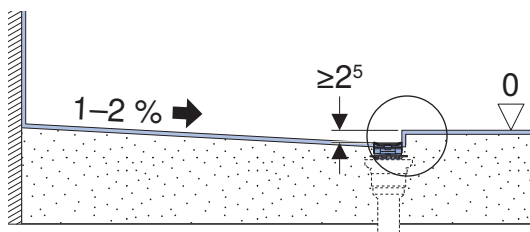
$$X = 0 - A - B$$



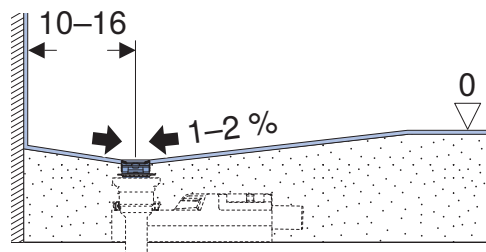
CleanLine20/60/80



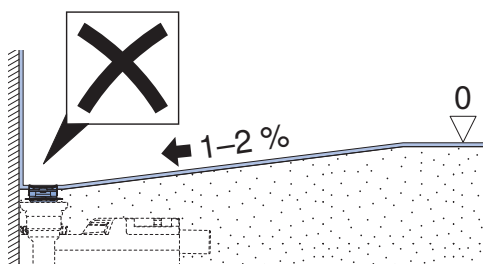
→ **A** 4



CleanLine50

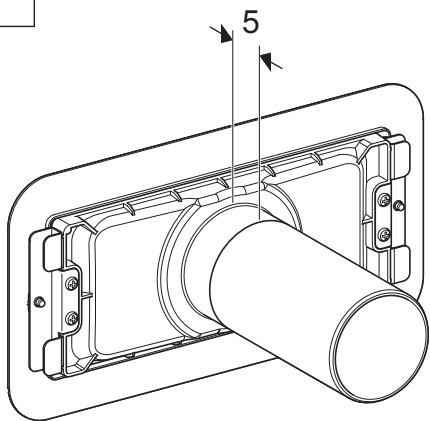


→ **B** 5

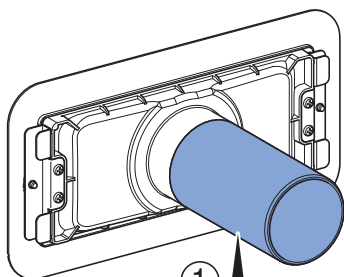


A

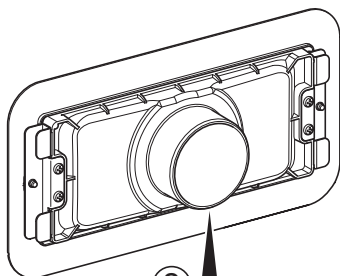
1



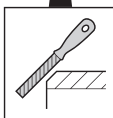
2



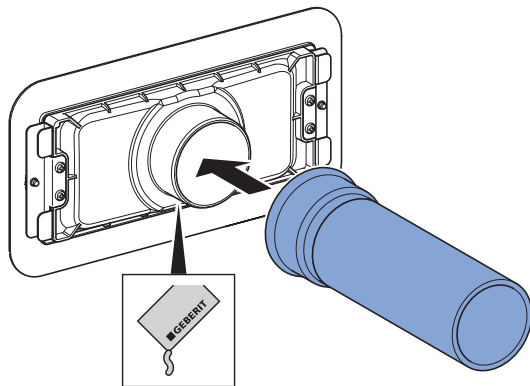
①



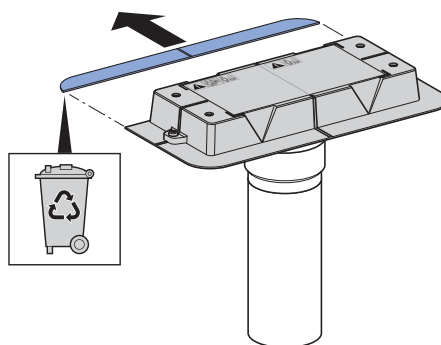
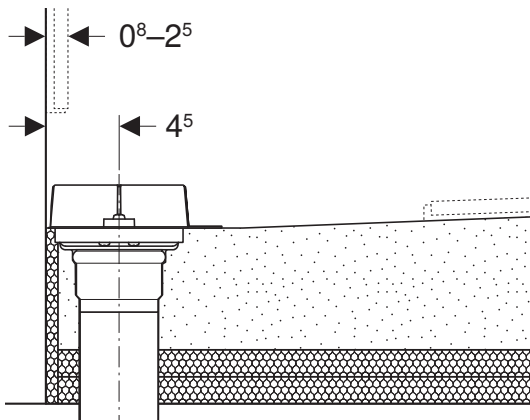
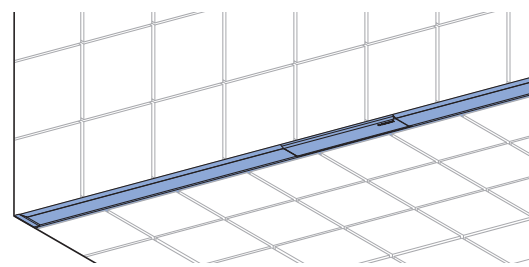
②



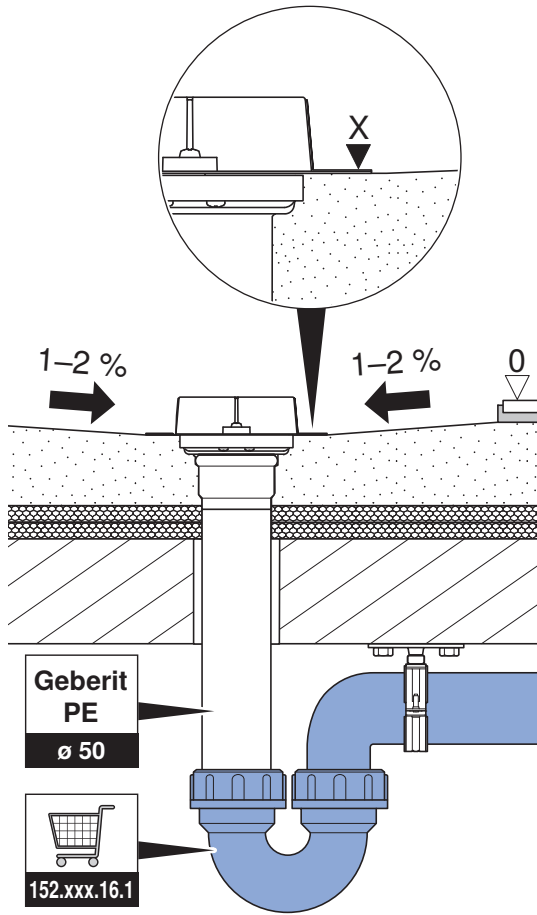
3



i

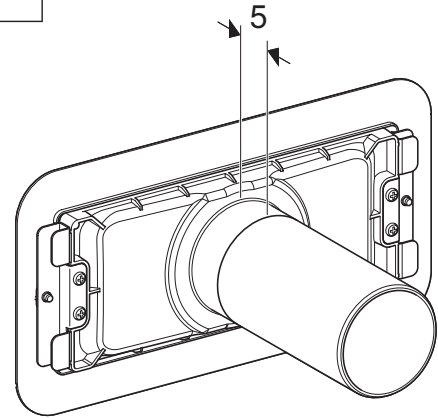
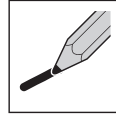


4

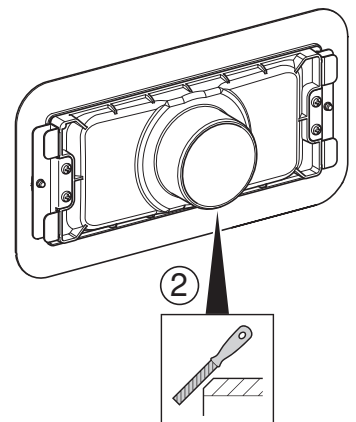
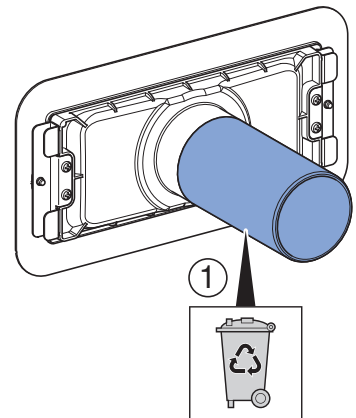
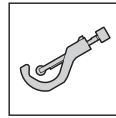


B

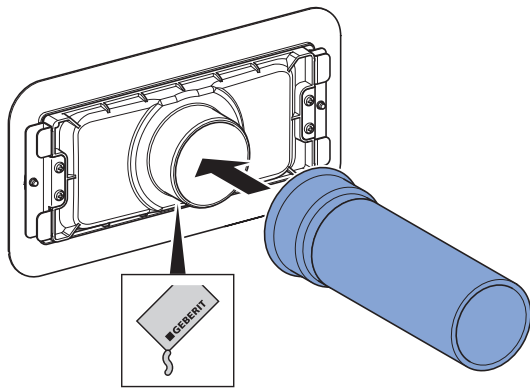
1



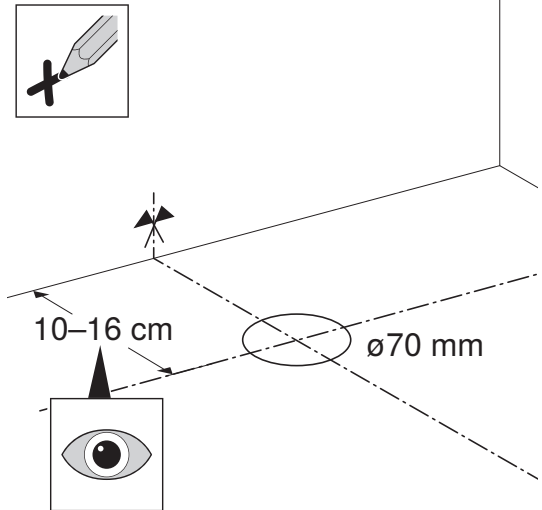
2



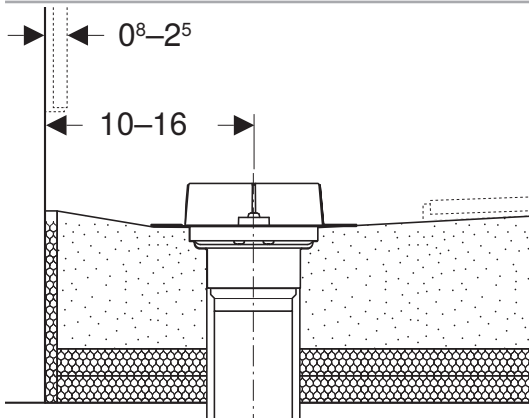
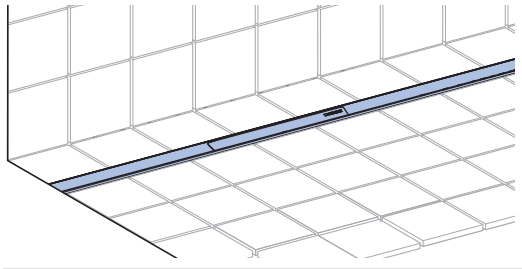
3



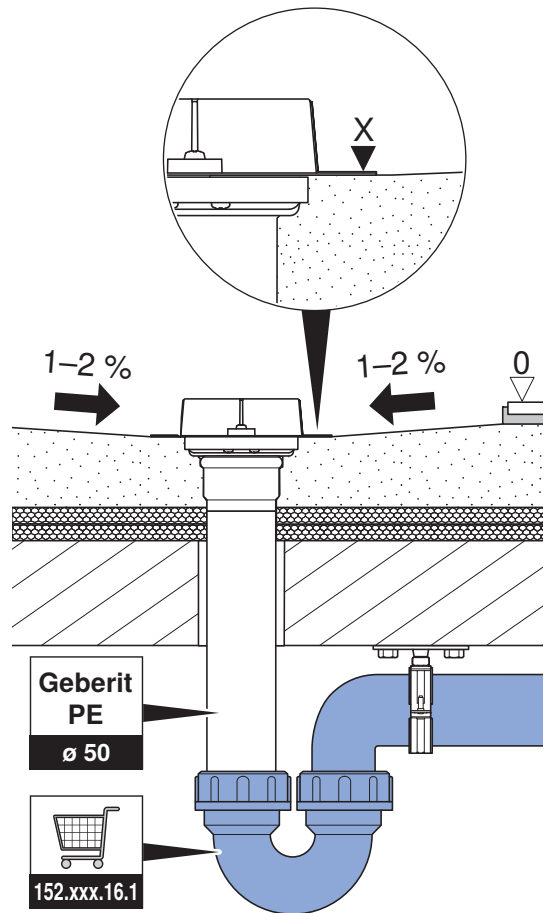
4



CleanLine50

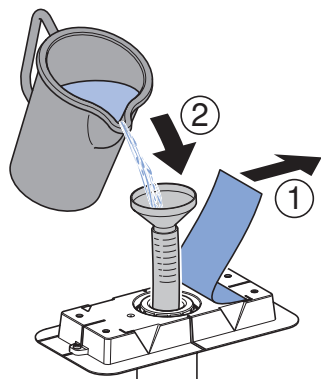


5

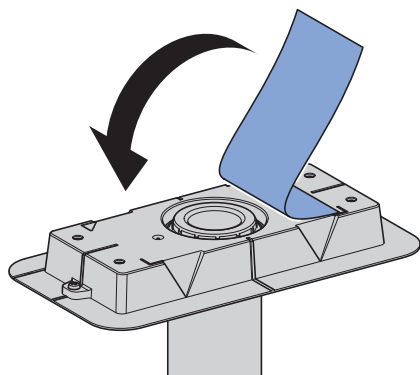




1



2



Geberit International AG
Schachenstrasse 77, CH-8645 Jona
documentation@geberit.com
www.geberit.com

