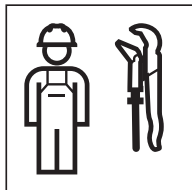


# INSTALLATION MANUAL

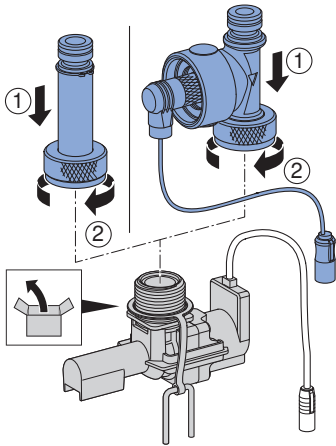
MONTAGEANLEITUNG  
INSTRUCTIONS DE MONTAGE  
ISTRUZIONI PER IL MONTAGGIO

**KNOW  
HOW  
INSTALLED**

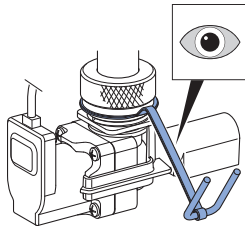




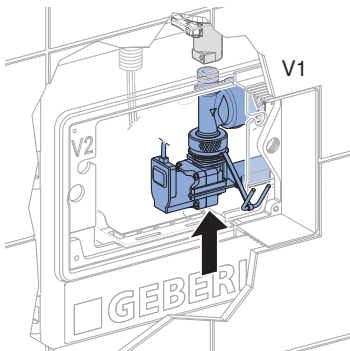
1



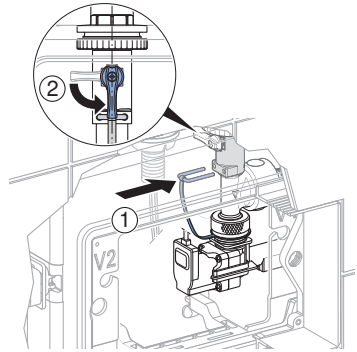
**i**



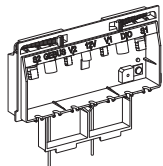
2



3

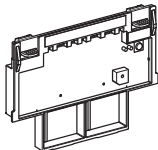


2023–



→ **A** 3

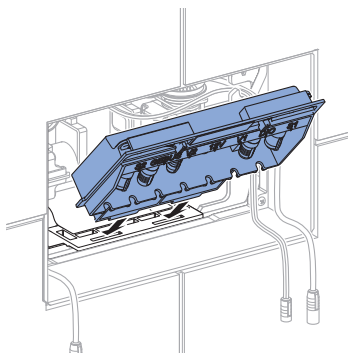
2015–2023



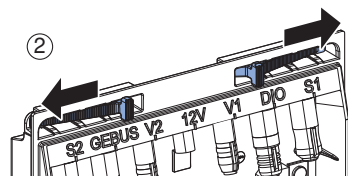
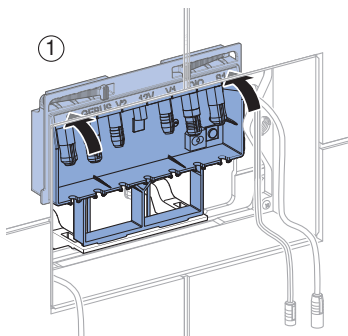
→ **B** 5

# A

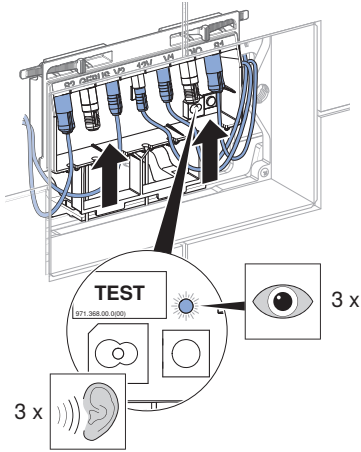
1



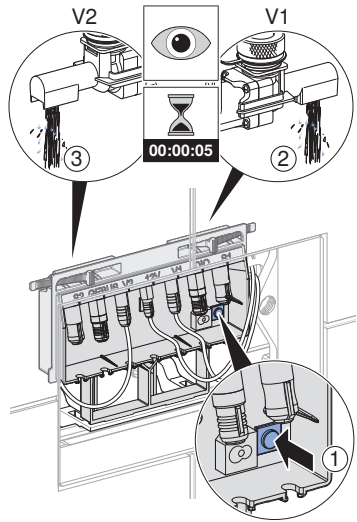
2



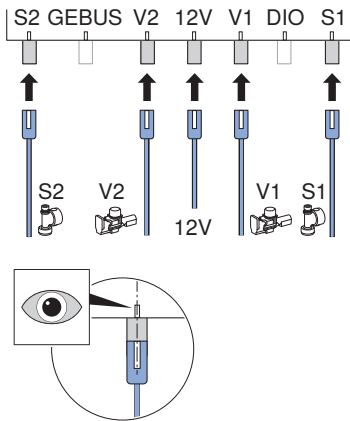
3



4

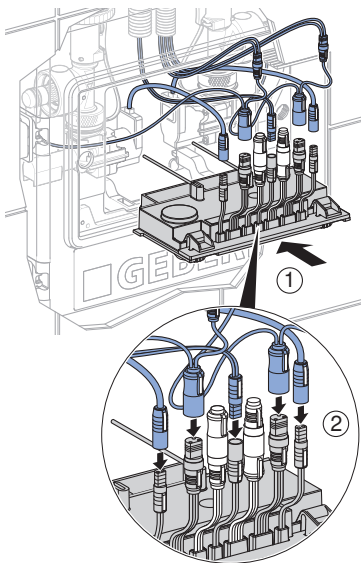


i

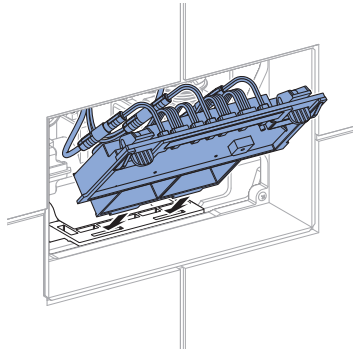


# B

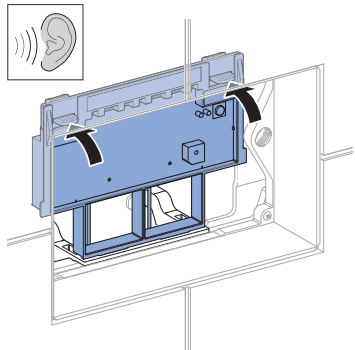
1



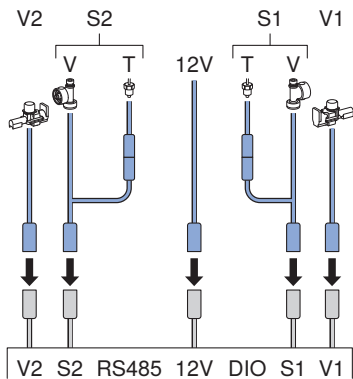
2



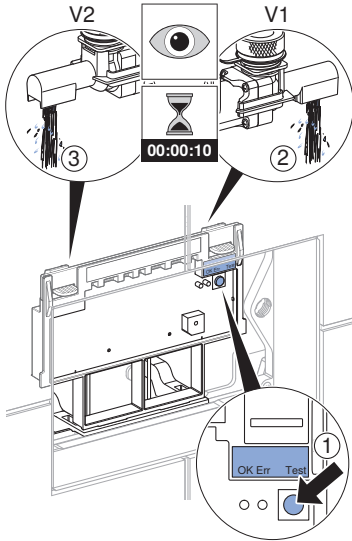
3



i



4





---

**Geberit International AG**  
**Schachenstrasse 77, CH-8645 Jona**  
**documentation@geberit.com**  
**www.geberit.com**

