

HANSAELECTRA

INSTALLATION AND MAINTENANCE GUIDE





4



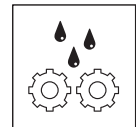
5-6



6



7



8-10



HANSA App



hansa.com/hansa-app

Apple and the Apple logo are trademarks of Apple Inc., registered in the U.S. and other countries. App Store is a service mark of Apple Inc., registered in the U.S. and other countries.

Google Play and the Google Play logo are trademarks of Google Inc.

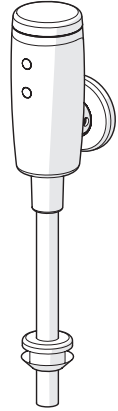
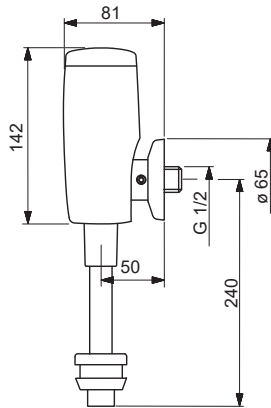
The Bluetooth® word mark and logos are registered trademarks owned by the Bluetooth SIG, Inc. and any use of such marks by Hansa Armaturen GmbH is under license. Other trademarks and trade names are those of their respective owners.



0944 0179

EN 15091
50 - 1000 kPa
0.56 l/s (300 kPa)
40 kPa (0.2 l/s)
max. +70°C
Lithium 2CR5 6 V
IP 55

EMC 2014/30/EU

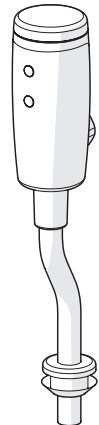
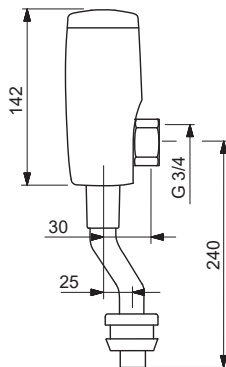


static.hansa.com/09440179

0944 0189

EN 15091
50 - 1000 kPa
0.58 l/s (300 kPa)
40 kPa (0.2 l/s)
max. +70°C
Lithium 2CR5 6 V
IP 55

EMC 2014/30/EU

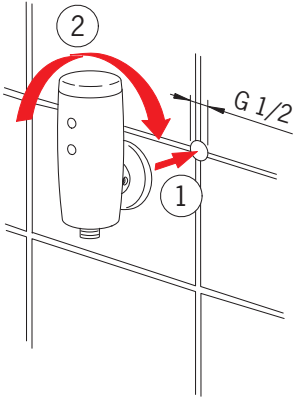


static.hansa.com/09440189

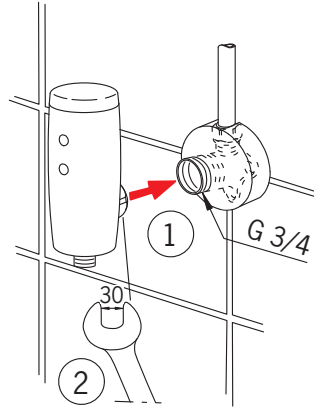


1

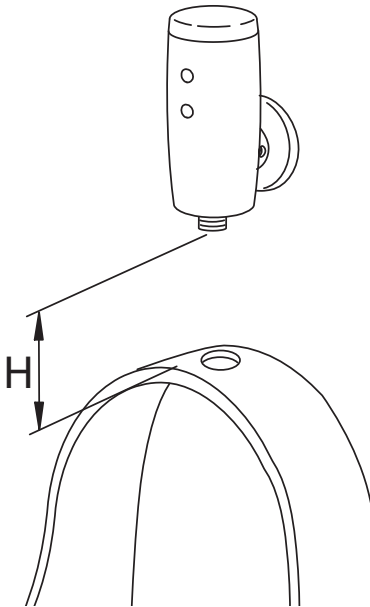
6567Z



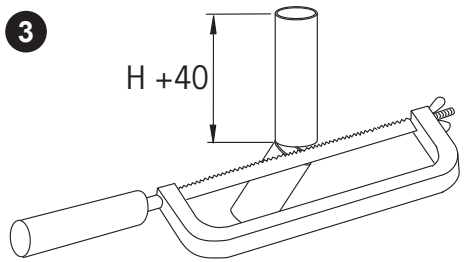
6568Z



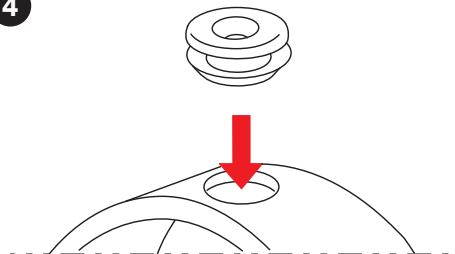
2

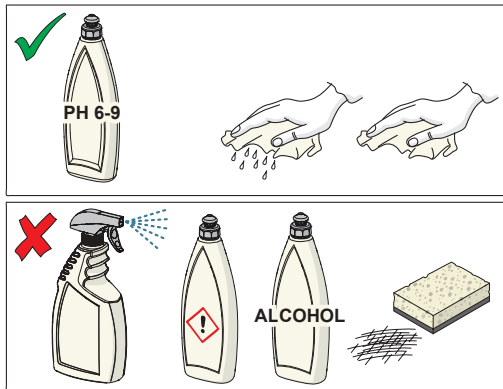
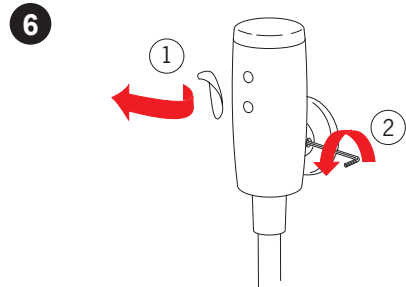
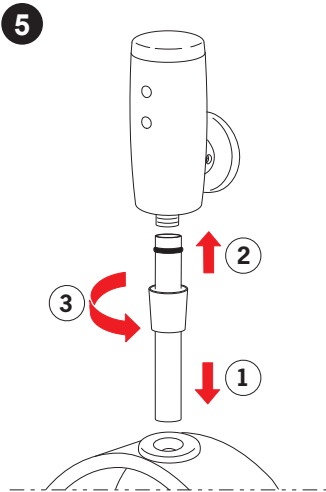


3



4

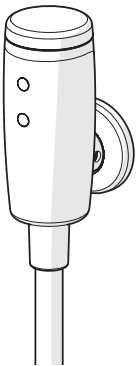
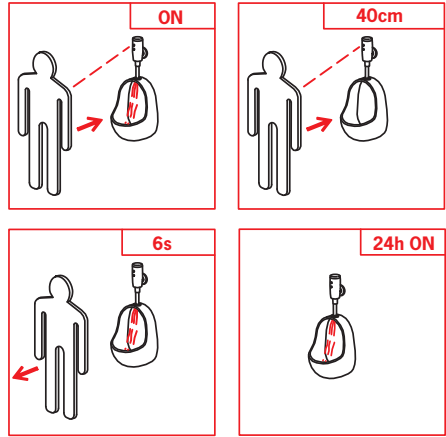
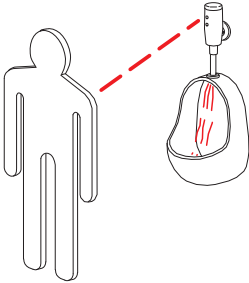




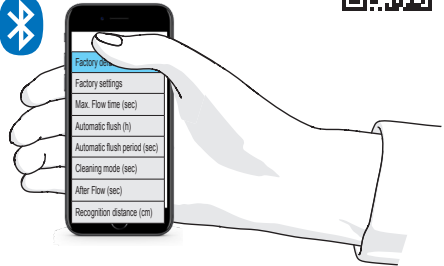
CLEANING.HANSA.COM



Automatic



Bluetooth®

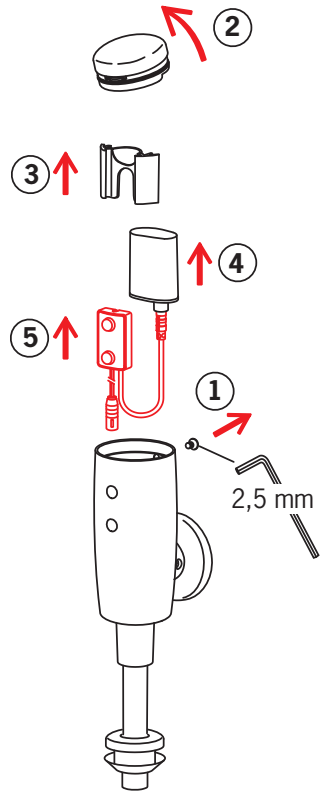
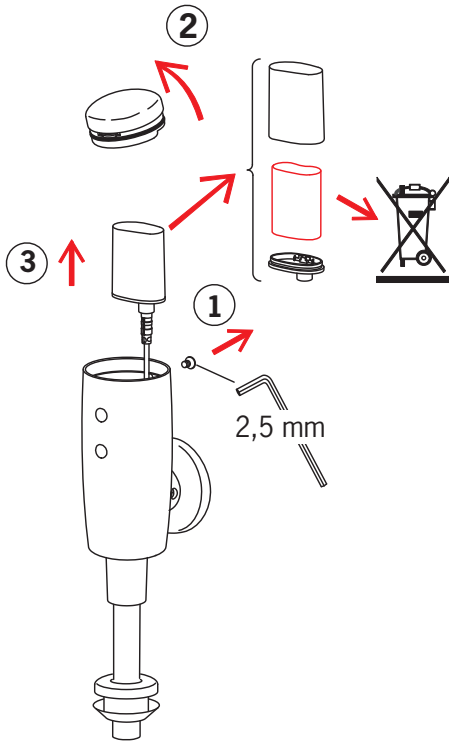
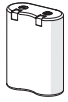


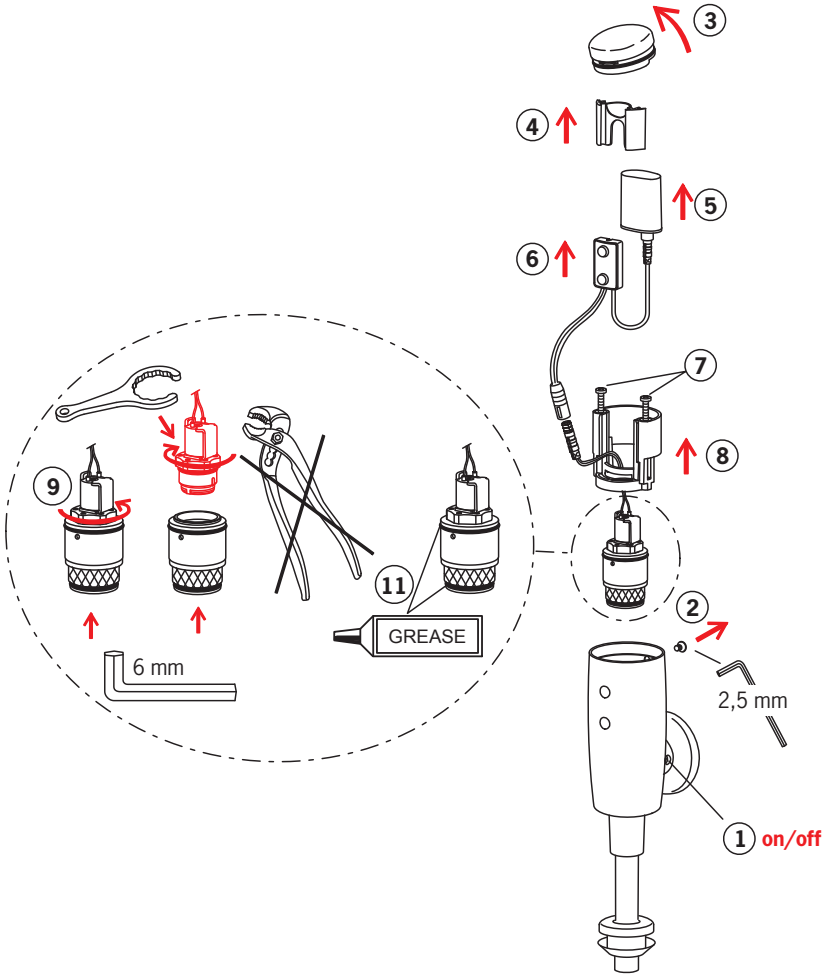
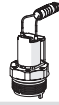
HANSA App

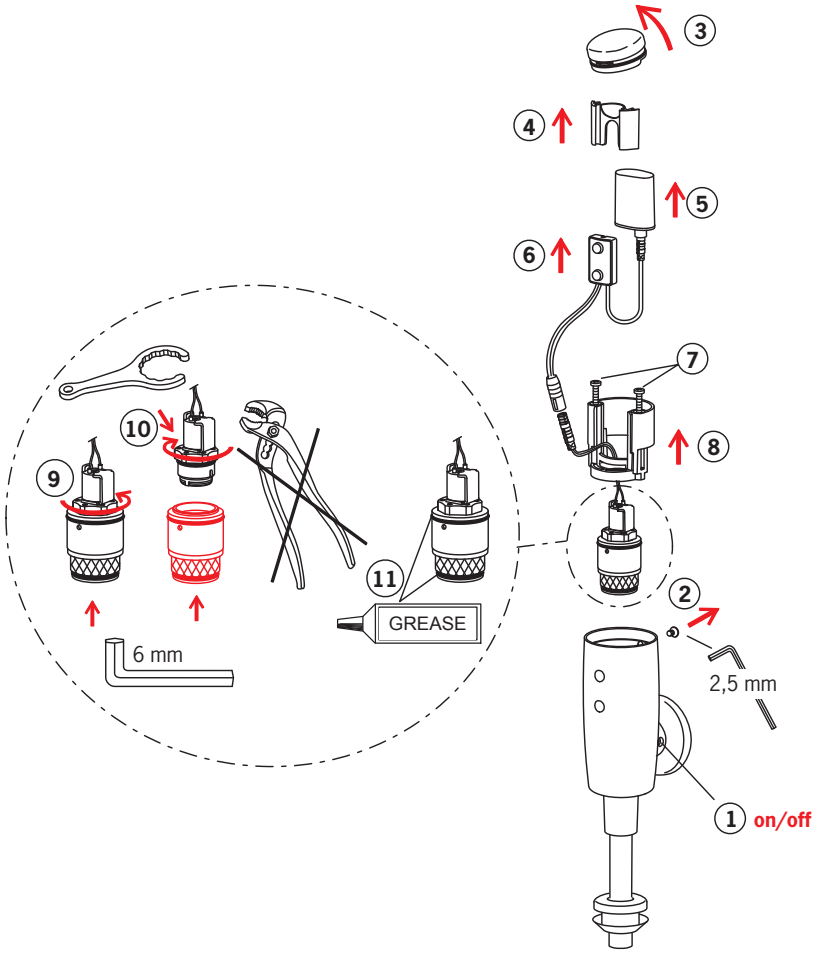


hansa.com/hansa-app









Oras Group is a powerful European provider of sanitary fittings: the market leader in the Nordics and a leading company in Continental Europe. The company's mission is to make the use of water easy and sustainable and its vision is to become the European leader of advanced sanitary fittings. Oras Group has two strong brands, Oras and Hansa.

The head office of the Group is located in Rauma, Finland, and the Group has three manufacturing sites: Kralovice (Czech Republic), Olesno (Poland) and Rauma (Finland). Oras Group employs approximately 1400 people in twenty countries. Oras Group is owned by Oras Invest, a family company and an industrial owner.

HANSA Armaturen GmbH
P. O. BOX 81 02 40
D-70519 Stuttgart

Sigmaringer Strasse 107
D-70567 Stuttgart
Tel.: +49 711 16 14 0
Fax: +49 711 16 14 368
info@hansa.de

www.hansa.com



a member of  Orasgroup