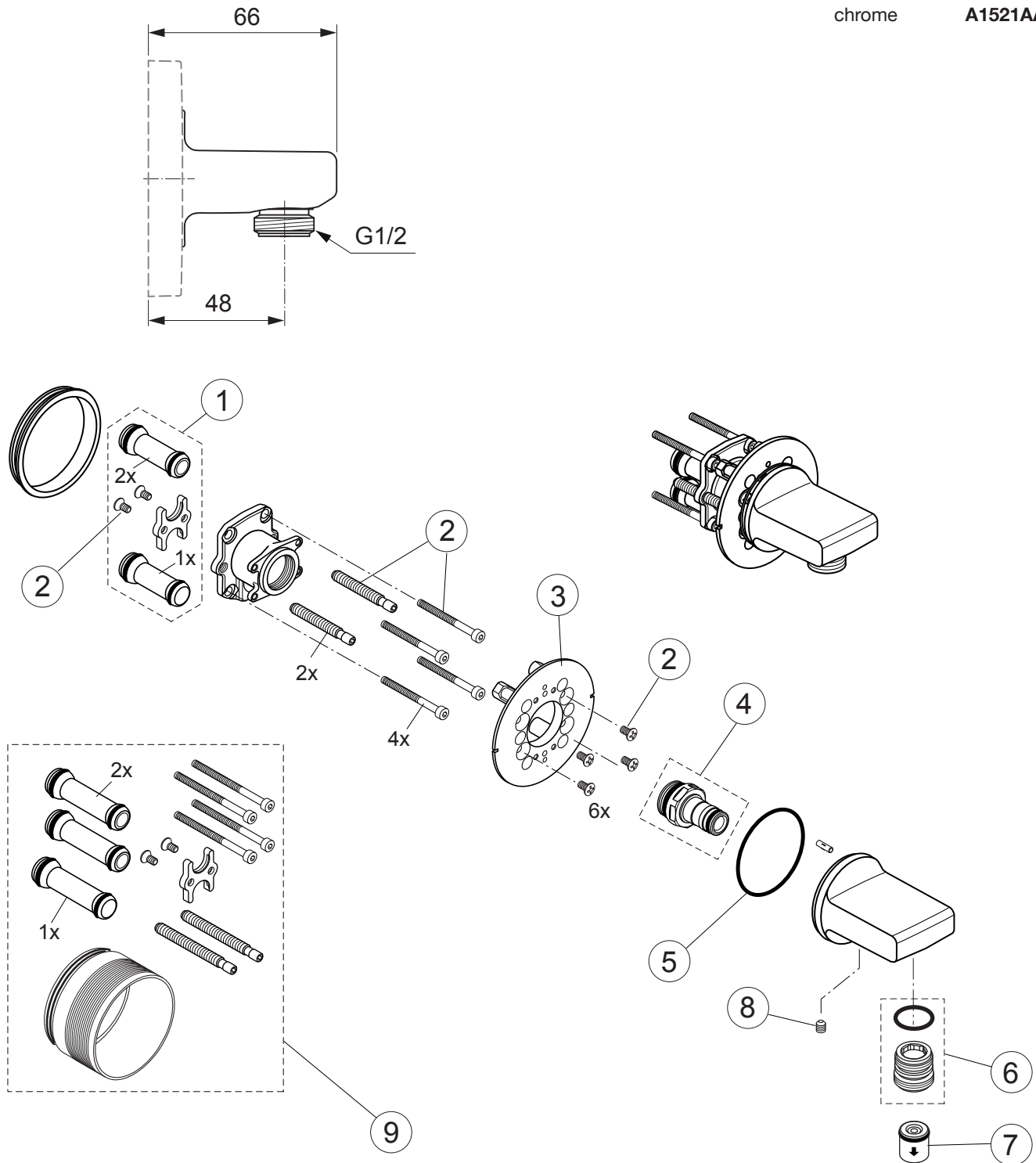


Produced from: Dec. 2020

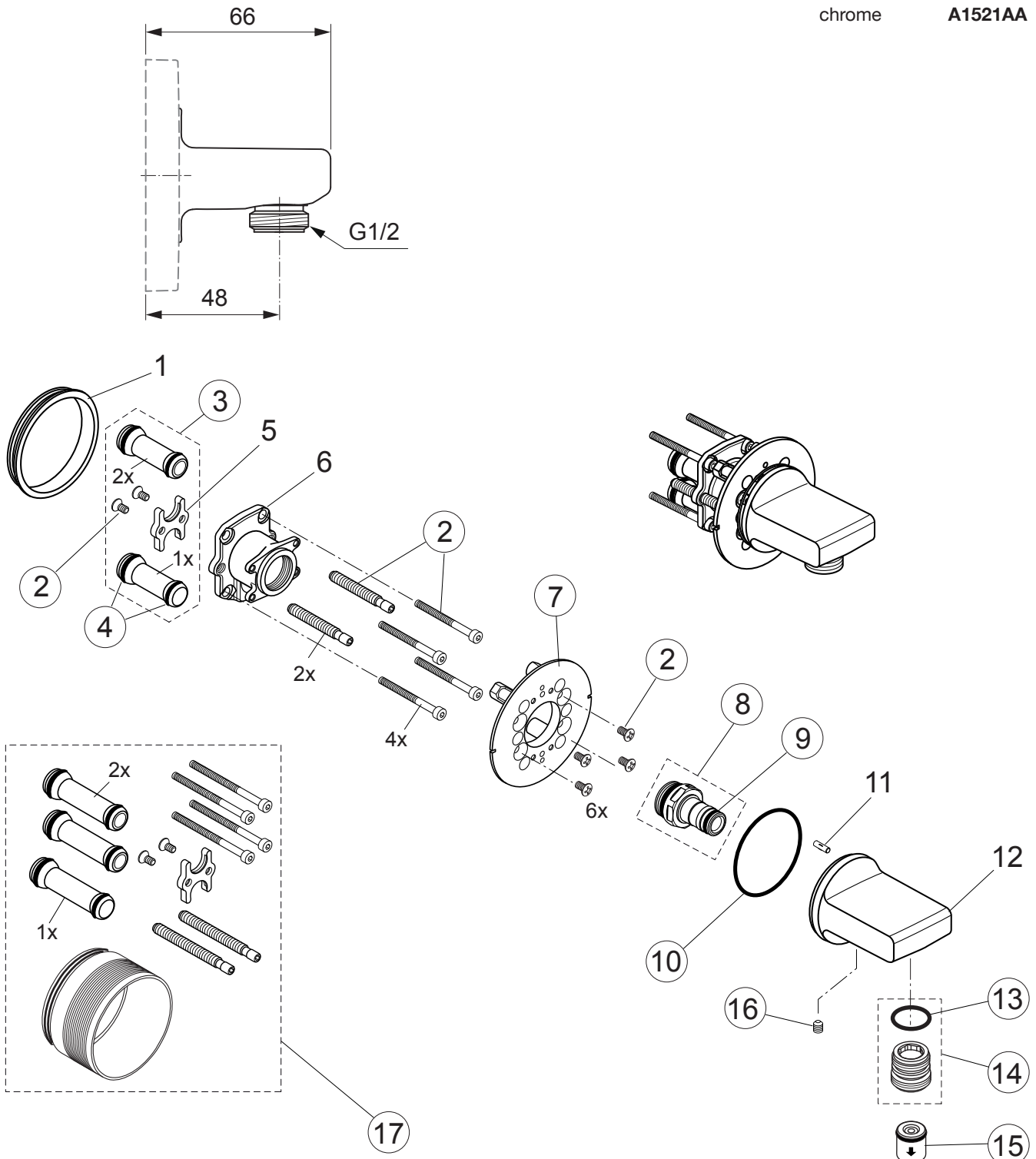
Kit 2 - Shower connector
chrome **A1521AA**



Pos.	Description	Part-Number	Qty.	Pos.	Description	Part-Number	Qty.
1	Ball canal / connector	A 860 847 NU	2 pcs				
2	Screw set vol./conn. valve	A 860 842 NU	1 pcs				
3	Escutcheon holder	A 860 853 NU	1 Set				
4	Connector nipple open	A 860 867 NU	1 pcs				
5	O - ring Ø41 x 1,78	A 961 863 NU	1 pcs				
6	Nipple complete	A 963 651 NU	1 pcs				
7	Non-return valve DW15	A 962 594 NU	2 pcs				
8	Thread pin M5x5	A 962 625 NU	1 Set				
9	Extension kit 15mm longer	A 963 738 NU	1 Set				

Produced from: Nov. 2011 - Nov. 2020

Kit 2 - Shower connector
chrome **A1521AA**



Pos.	Description	Part-Number	Qty.	Pos.	Description	Part-Number	Qty.
1	Seal ring			11	Groove pin 3x10 DIN1474		
2	Screw set vol./conn. valve	A 860 842 NU	1 pcs	12	Shower connector		
3	Ball canal / connector	A 860 847 NU	2 pcs	13	O - ring Ø17 x 2	A 961 810 NU	2 pcs
4	O-ring set Ø10 + Ø13x2,5	A 860 852 NU	1 Set	14	Nipple complete	A 963 651 NU	1 pcs
5	Flange / fixation / holder			15	Non-return valve DW15	A 962 594 NU	2 pcs
6	Body for vol. valve & accessories			16	Thread pin M5x5	A 962 625 NU	1 Set
7	Escutcheon holder	A 860 853 NU	1 Set	17	Extension kit 15mm longer	A 963 738 NU	1 Set
8	Connector nipple open	A 860 867 NU	1 pcs				
9	O - ring Ø10 x 2	A 963 495 NU	2 pcs				
10	O - ring Ø41 x 1,78	A 961 863 NU	1 pcs				