

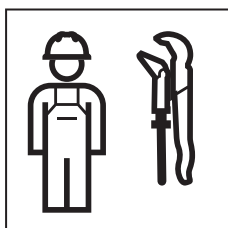
# MAINTENANCE MANUAL

INSTANDHALTUNGSANLEITUNG

MANUEL D'ENTRETIEN

ISTRUZIONI PER LA MANUTENZIONE

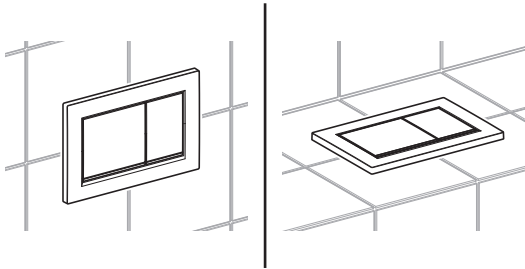
**KNOW  
HOW**  
INSTALLED



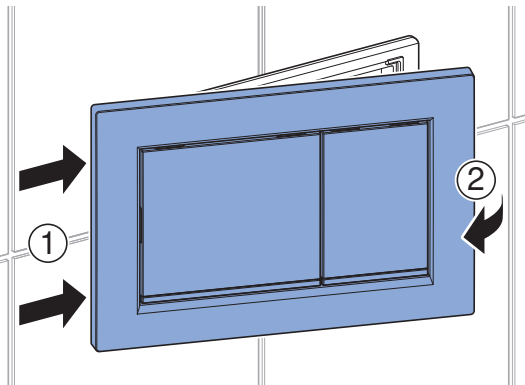


1

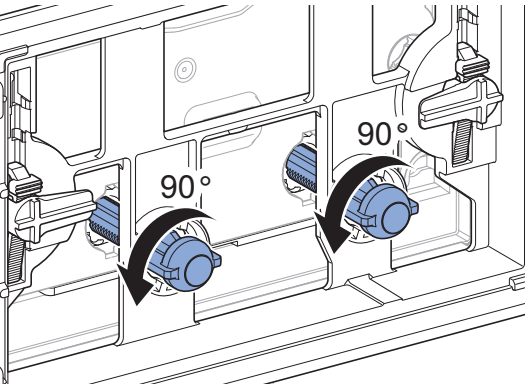
✓



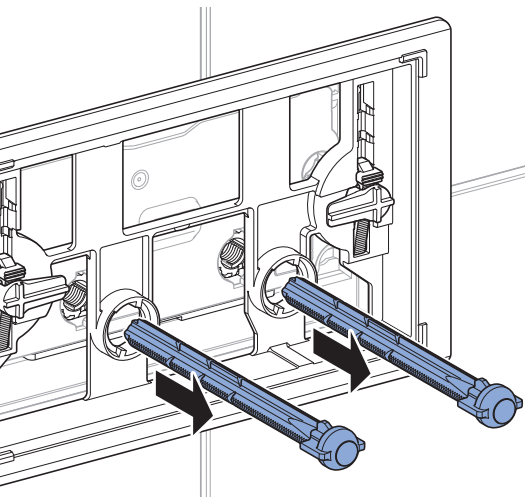
1



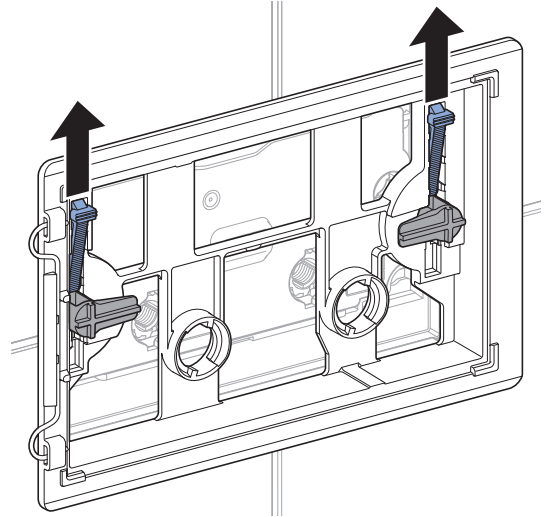
2



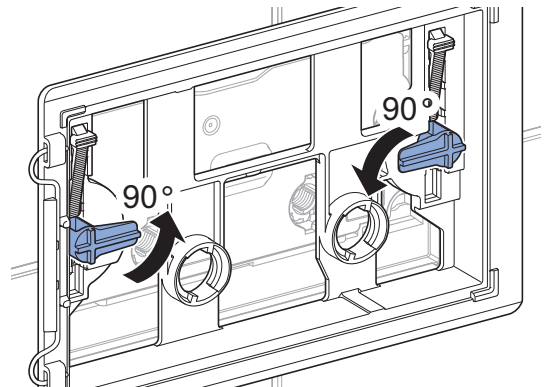
3



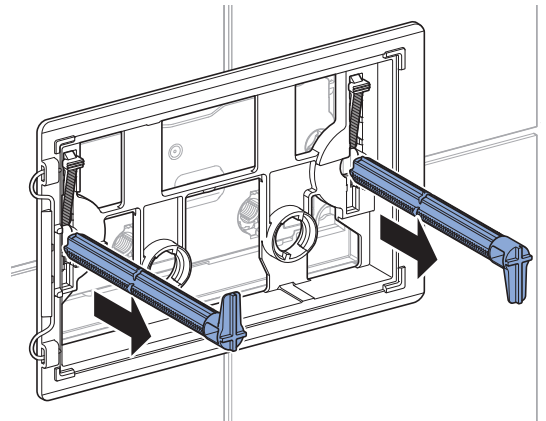
4



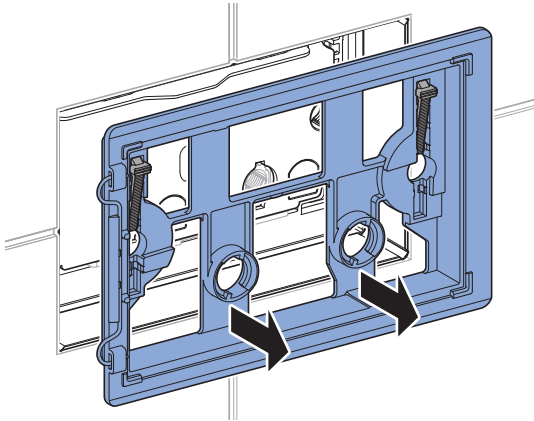
5



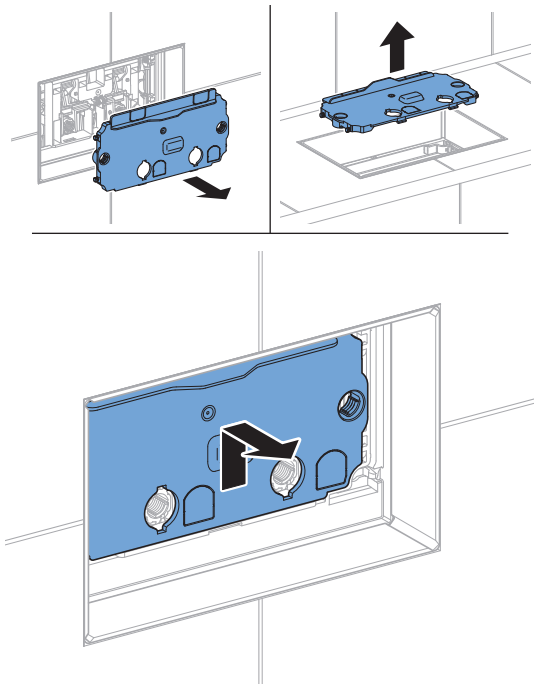
6



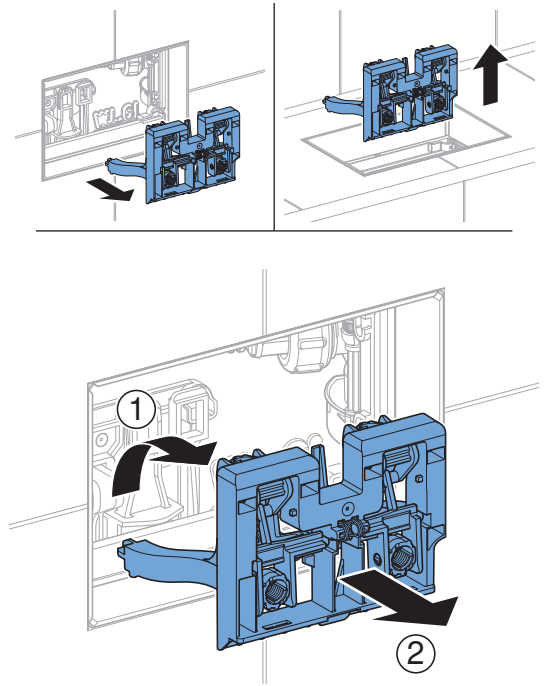
7



8

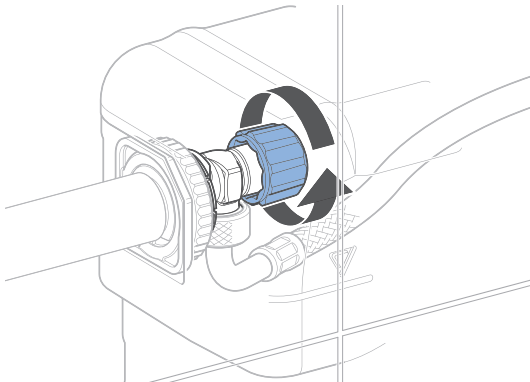


9

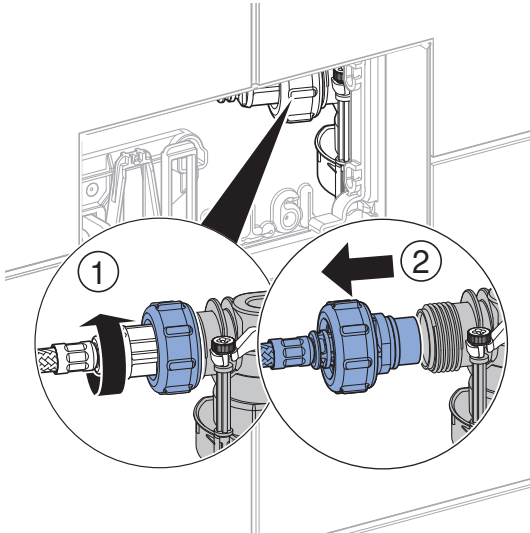


# 2

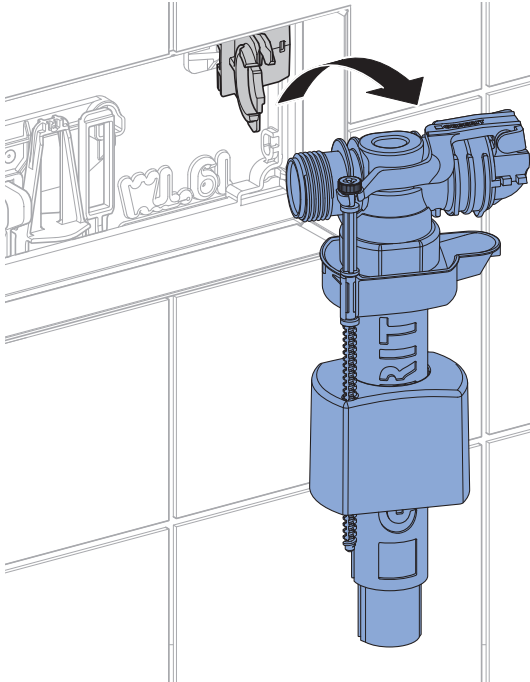
**i**



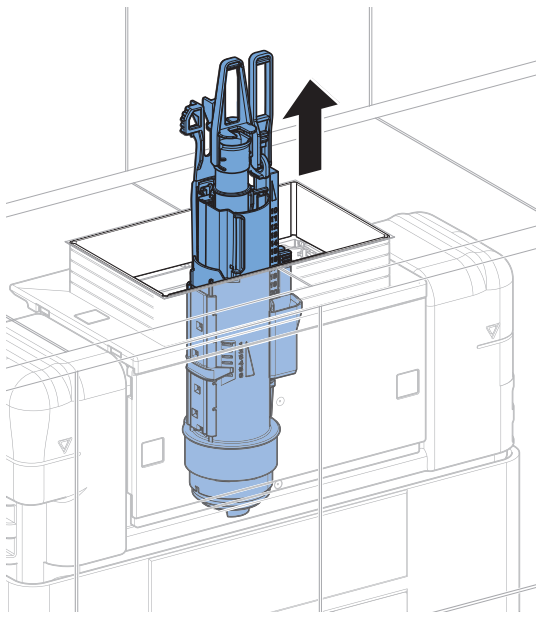
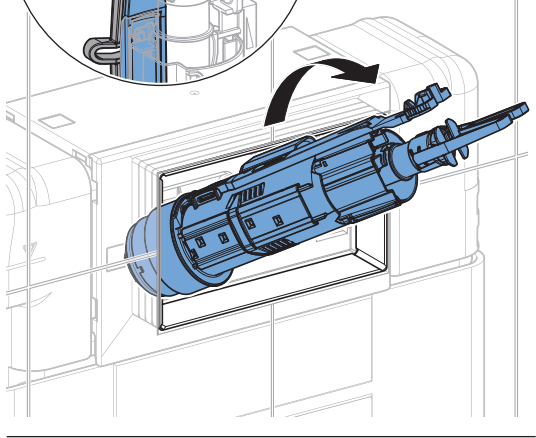
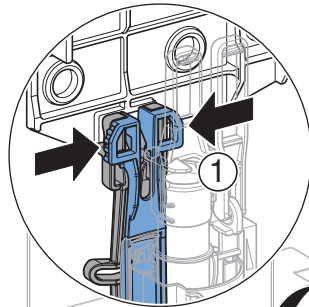
# 1

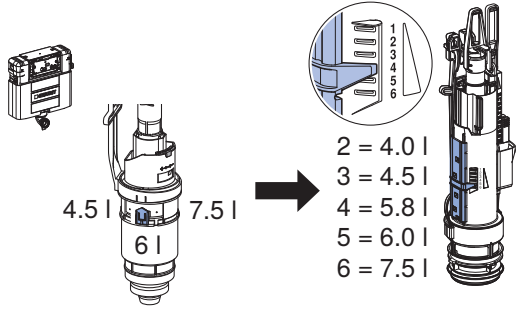


# 2

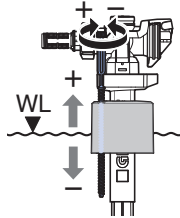


# 3

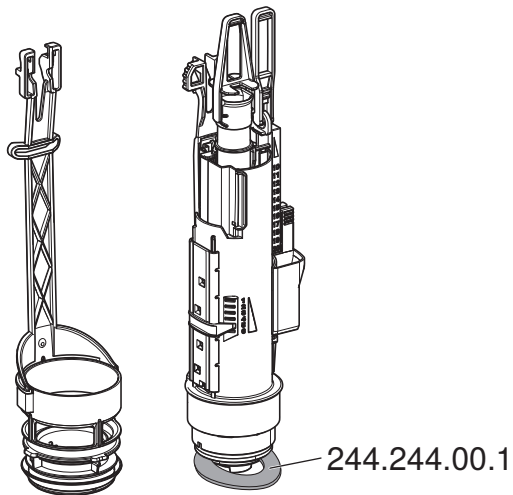




**NOTE:**  
Not applicable for US  
installations. Flush  
volume modifications shown  
are a violation of US law.  
**DO NOT ATTEMPT!**

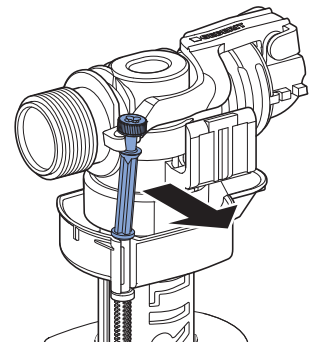


4

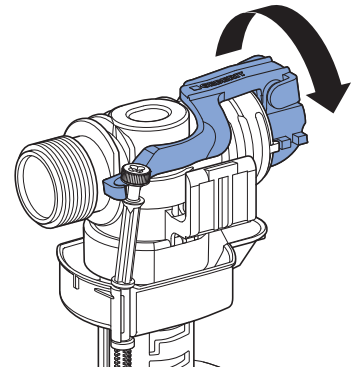


3

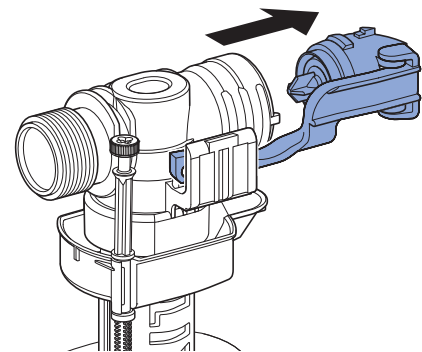
1



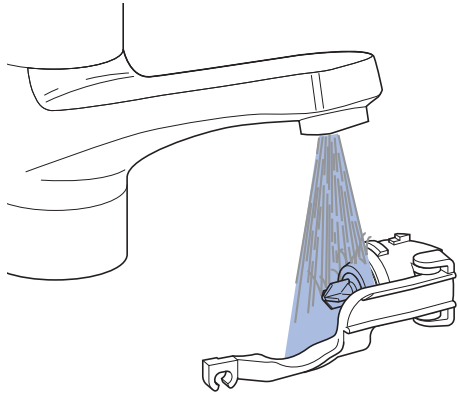
2



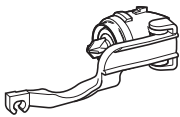
3

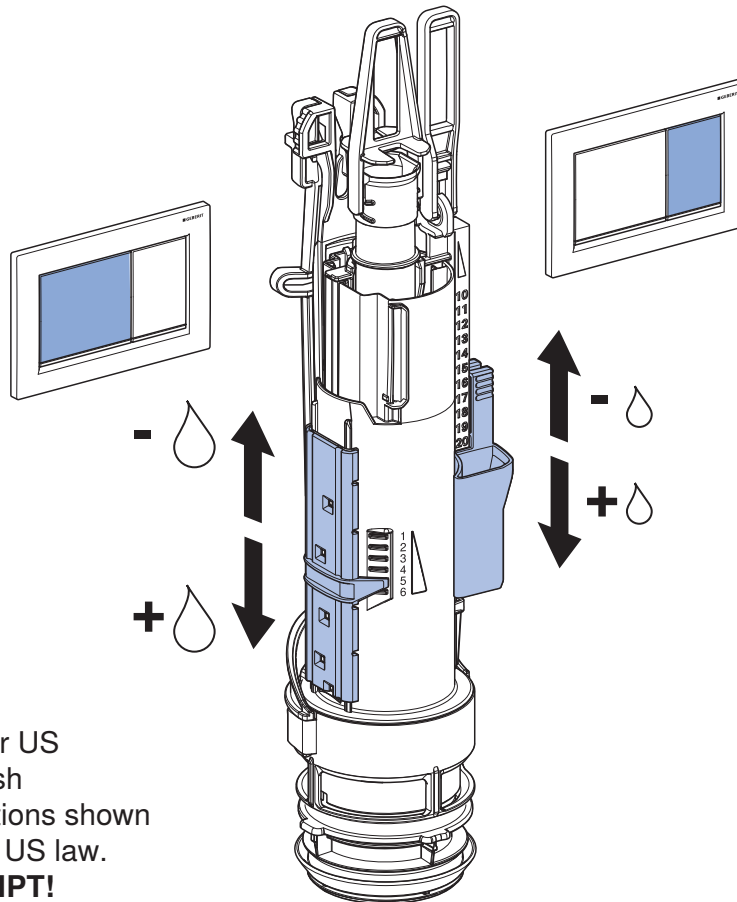


4

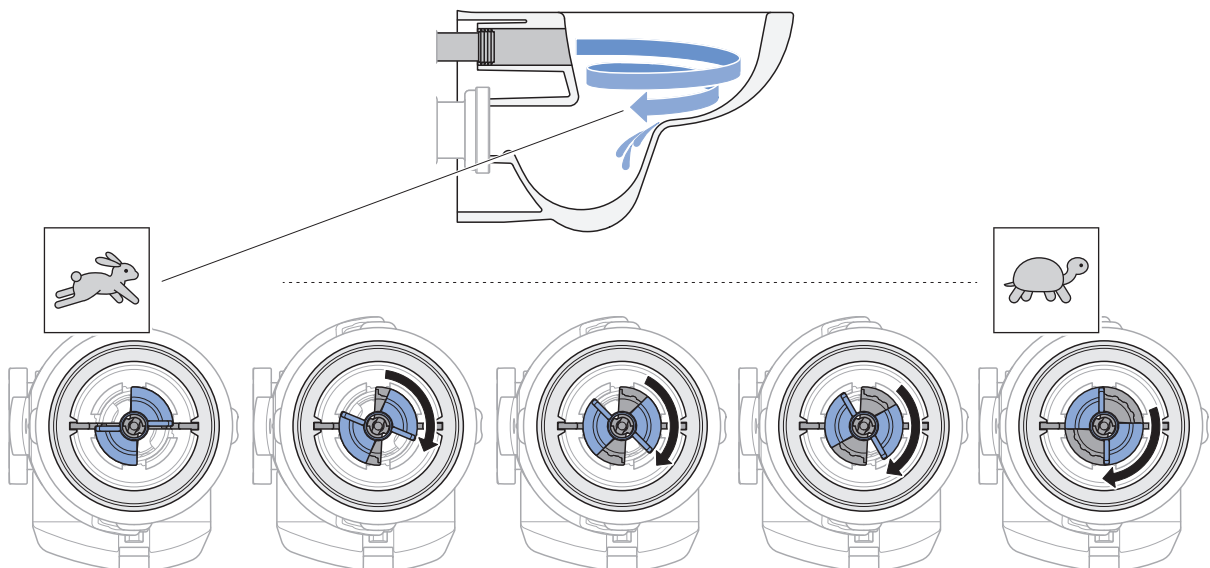


i





**NOTE:**  
Not applicable for US  
installations. Flush  
volume modifications shown  
are a violation of US law.  
**DO NOT ATTEMPT!**





---

**Geberit International AG**  
**Schachenstrasse 77, CH-8645 Jona**  
**documentation@geberit.com**  
**www.geberit.com**