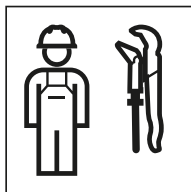


# INSTALLATION MANUAL

MONTAGEANLEITUNG  
INSTRUCTIONS DE MONTAGE  
ISTRUZIONI PER IL MONTAGGIO

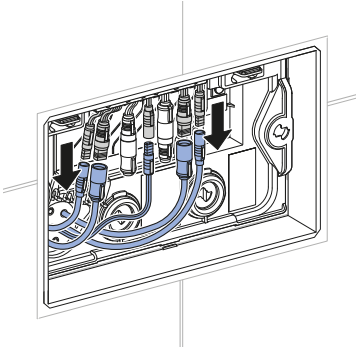
**KNOW  
HOW  
INSTALLED**



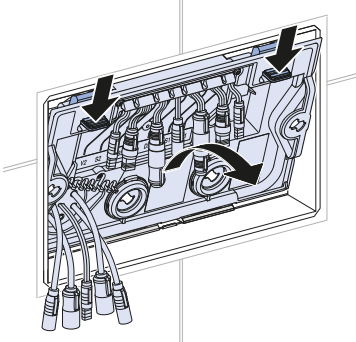


1

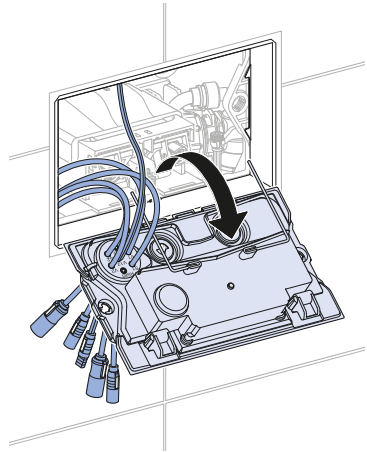
1



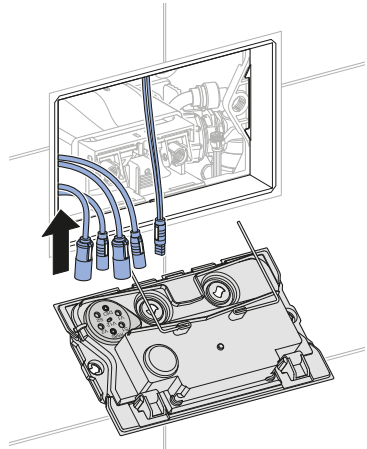
2



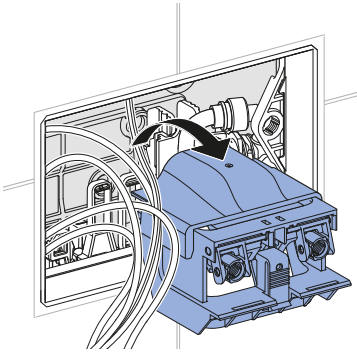
3



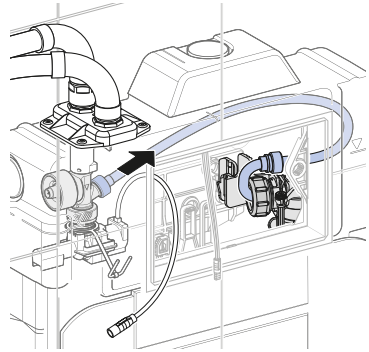
4



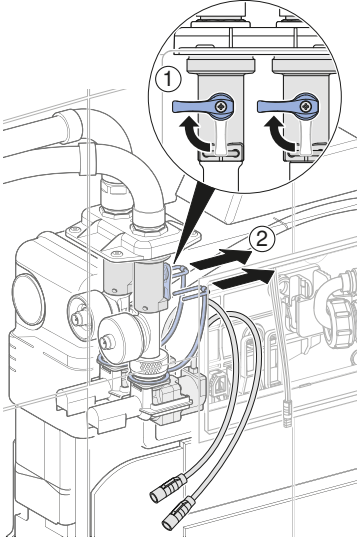
5



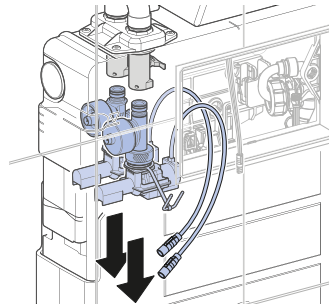
7



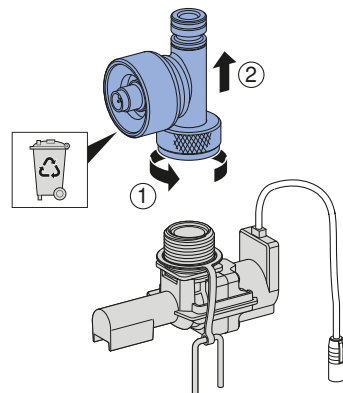
6



8

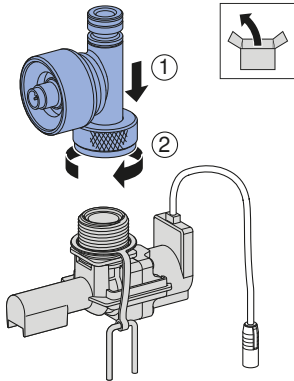


9

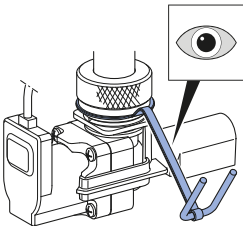


# 2

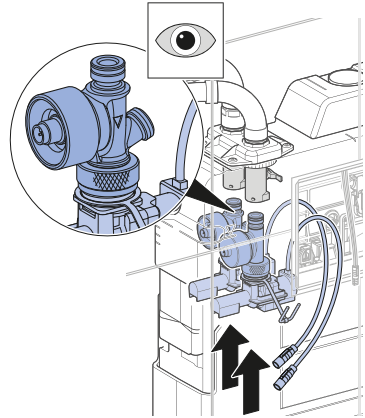
## 1



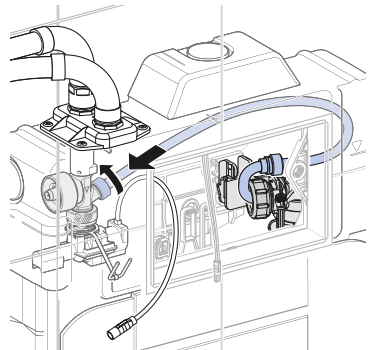
**i**



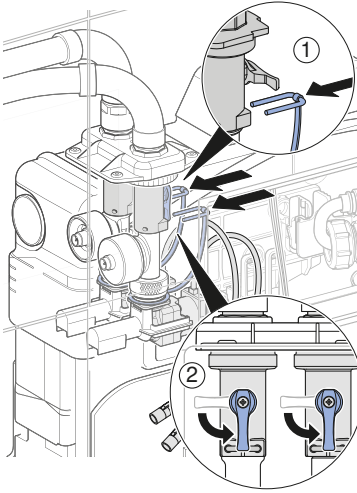
## 2



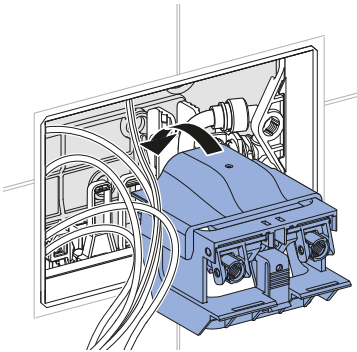
## 3



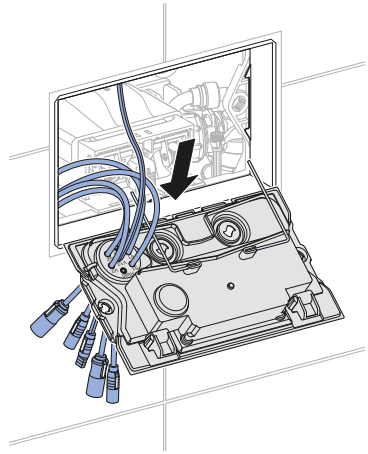
4



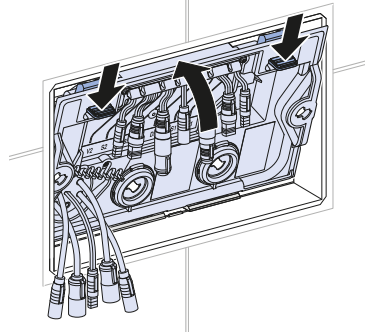
5



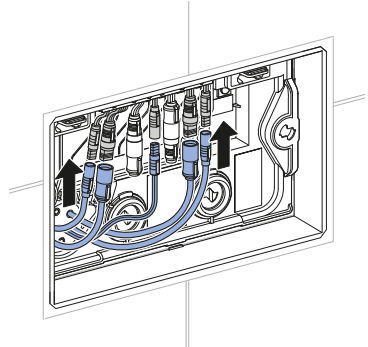
6



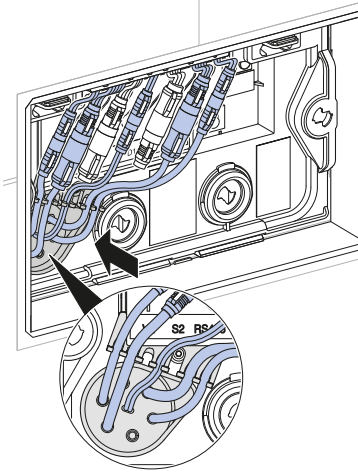
7



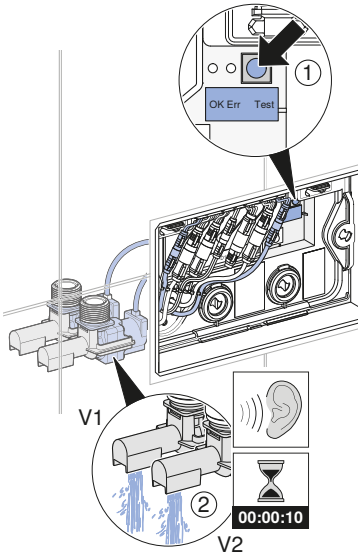
8



9



10







---

**Geberit International AG**  
**Schachenstrasse 77, CH-8645 Jona**  
**documentation@geberit.com**  
**www.geberit.com**