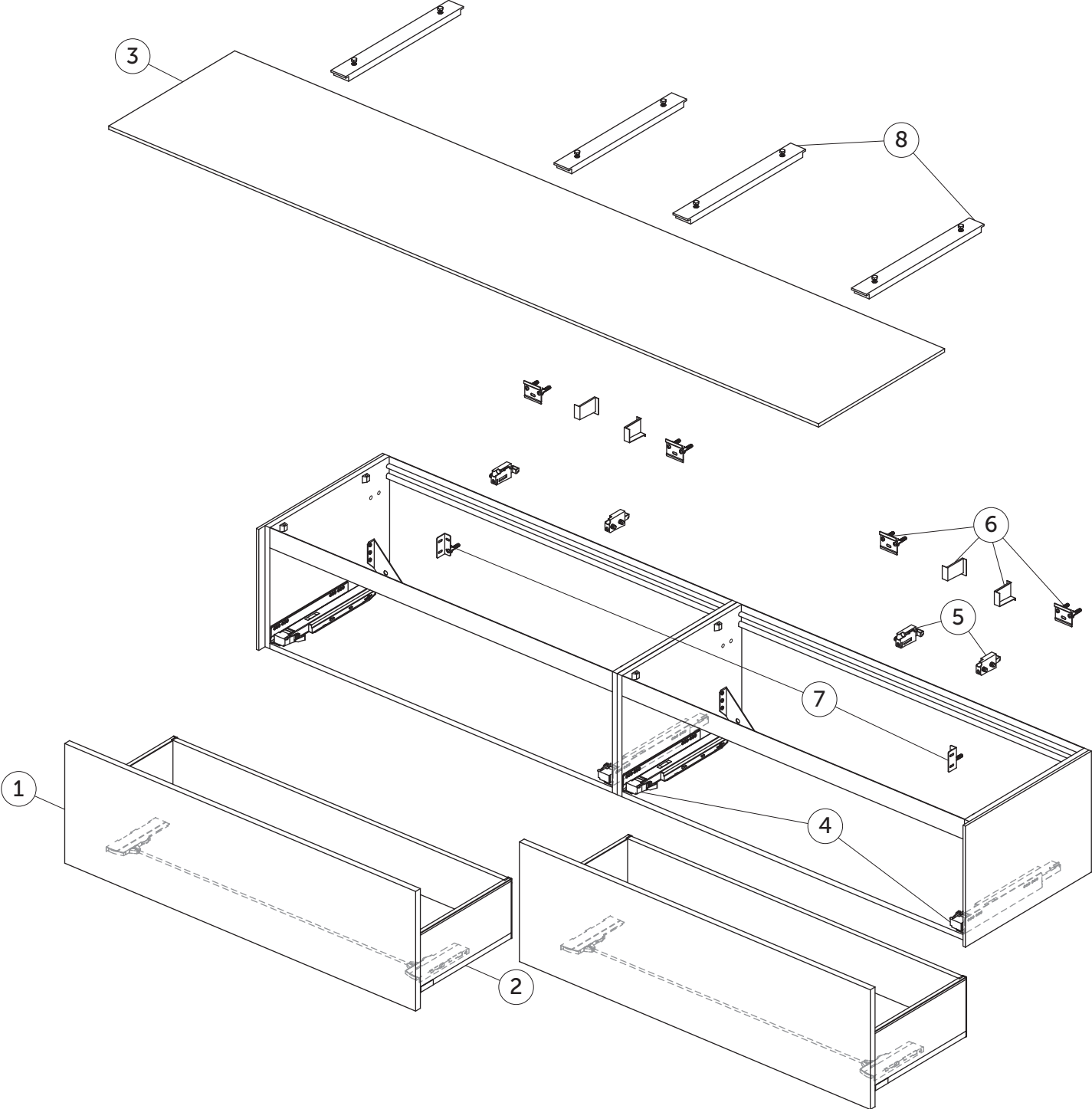


# SPARE PARTS

Basin Unit 2400  
2 drawers



# SPARE PARTS

Basin Unit 2400  
2 drawers

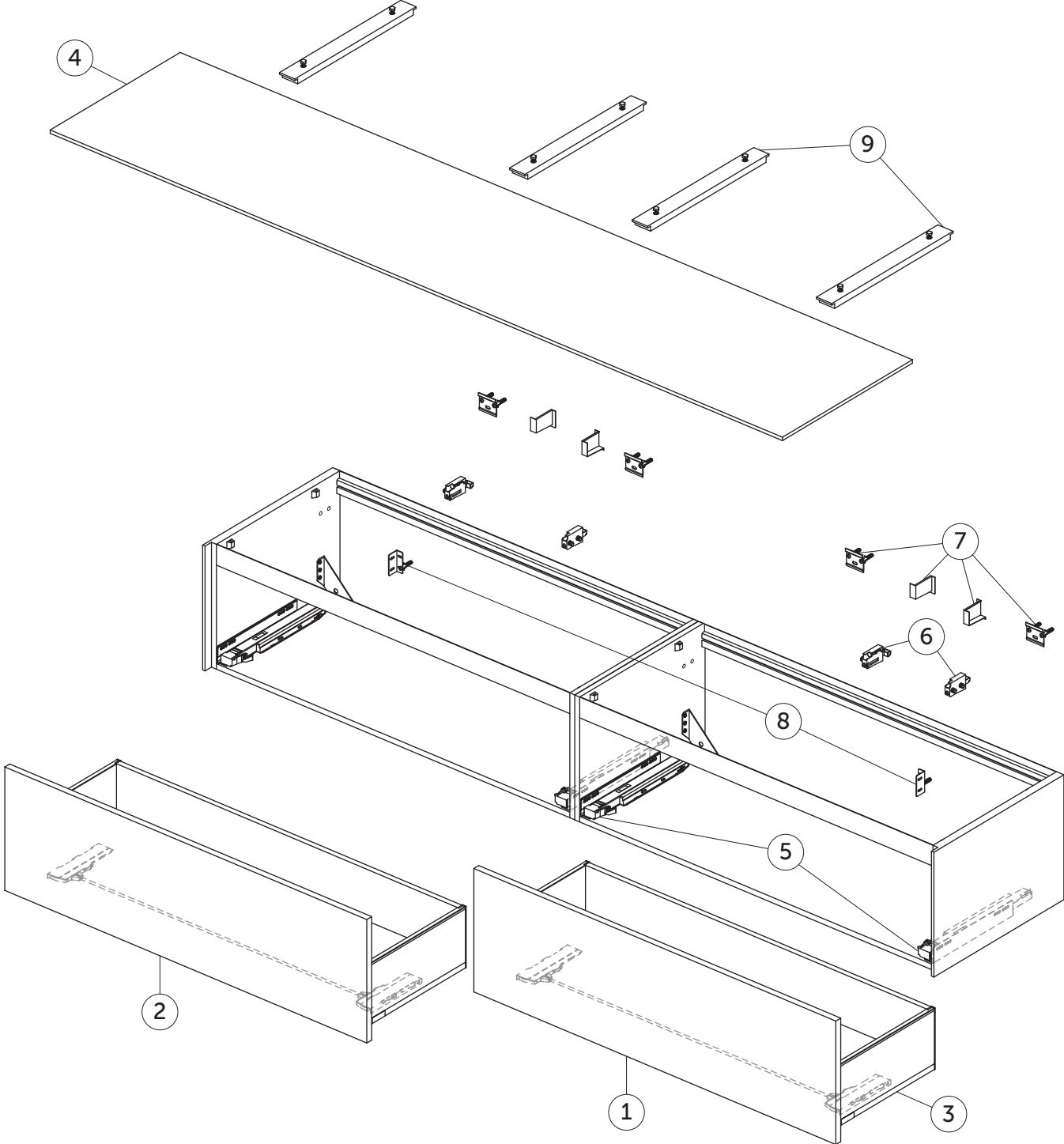
Page 2 of 4

Item	Description	Colour/Finish	Code No.	Quantity
1	Drawer front panel 1180 x 356	Y1 - Matt White Y2 - Matt Anthracite Y3 - Matt Sunset Y4 - Smoked Oak Y5 - Dark Walnut Y6 - Light Oak	TV782Y1 TV782Y2 TV782Y3 TV782Y4 TV782Y5 TV782Y6	1
2	Drawer structure box 120 x 50.5	Y2 - Matt Anthracite	TV783Y2	1
3	Worktop 2387 x 505 no cut	Y1 - Matt White Y2 - Matt Anthracite Y3 - Matt Sunset Y4 - Smoked Oak Y5 - Dark Walnut Y6 - Light Oak	TV787Y1 TV787Y2 TV787Y3 TV787Y4 TV787Y5 TV787Y6	1
4	Runners 400 Push KIT		TV76967	pair
5	Hanging brackets KIT 1		RV08267	pair
6	Wall fixation KIT 1 new		TV72667	14
7	Safety KIT (brackets, screws & plugs)		TV38767	12
8	Worktop adjustable support KIT		UV24067	pair

Manufactured pre June 2021.  
Manufacturer traceability code 9999.

# SPARE PARTS

Basin Unit 2400  
2 drawers



# SPARE PARTS

Basin Unit 2400  
2 drawers

Page 4 of 4

Item	Description	Colour/Finish	Code No.	Quantity
1	Drawer front panel ns rh 1180 x 356	Y1 - Matt White Y2 - Matt Anthracite Y3 - Matt Sunset Y4 - Smoked Oak Y5 - Dark Walnut Y6 - Light Oak	TF076Y1 TF076Y2 TF076Y3 TF076Y4 TF076Y5 TF076Y6	1
2	Drawer front panel ns lh 1180 x 356	Y1 - Matt White Y2 - Matt Anthracite Y3 - Matt Sunset Y4 - Smoked Oak Y5 - Dark Walnut Y6 - Light Oak	TF077Y1 TF077Y2 TF077Y3 TF077Y4 TF077Y5 TF077Y6	1
3	Drawer structure box ns l/r 120 x 50.5	Y2 - Matt Anthracite	TF078Y2	1
4	Worktop ns 2387 x 505 no cut	Y1 - Matt White Y2 - Matt Anthracite Y3 - Matt Sunset Y4 - Smoked Oak Y5 - Dark Walnut Y6 - Light Oak	TF079Y1 TF079Y2 TF079Y3 TF079Y4 TF079Y5 TF079Y6	1
5	Runners 400 Push KIT		TV76967	pair
6	Hanging brackets KIT 1		RV08267	pair
7	Wall fixation KIT 1 new		TV72667	14
8	Safety KIT (brackets, screws & plugs)		TV38767	12
9	Worktop adjustable support KIT		UV24067	pair

Manufactured post May 2021.  
Manufacturer traceability code 9999.

Ideal Standard International NV  
Corporate Village – Gent Building  
Da Vincilaan 2  
B1935 – Zaventem  
Belgium

**BE** +32 (0)2 325 66 33  
**BG** +359 675 30362  
**DE** +49 (0)228 521 580  
**EG** +202 26969700  
**FR** +33 (0)1 49 38 28 00  
**GB** 01482 496 318  
**GR** +30 210 67 90 810  
**HR** +38591 22 99 304

**HU** +36 30 6991 594  
**IT** 800 652 290  
**ME** +971 4 804 2400  
**NL** +31 (0)77 355 08 08  
**PL** +48 71 7868 301/302  
**RO** +40 21 3223 201/202  
**SI** 00386 59 919040  
**TR** +90 216 314 87 87

**UA** +359 675 30 468  
**AL/XK/BA** +359 887 709 696  
**CZ/SK** +420 417 592 179  
**DK/NO/SE** +45 75 84 10 10  
**ES/PT** +34 93 561 80 00  
**LV/LT/EE** +371 673 57 792  
**RS/MK/ME** +381 11 713 80 58  
**RU/MD** +7 495 669 23 11

