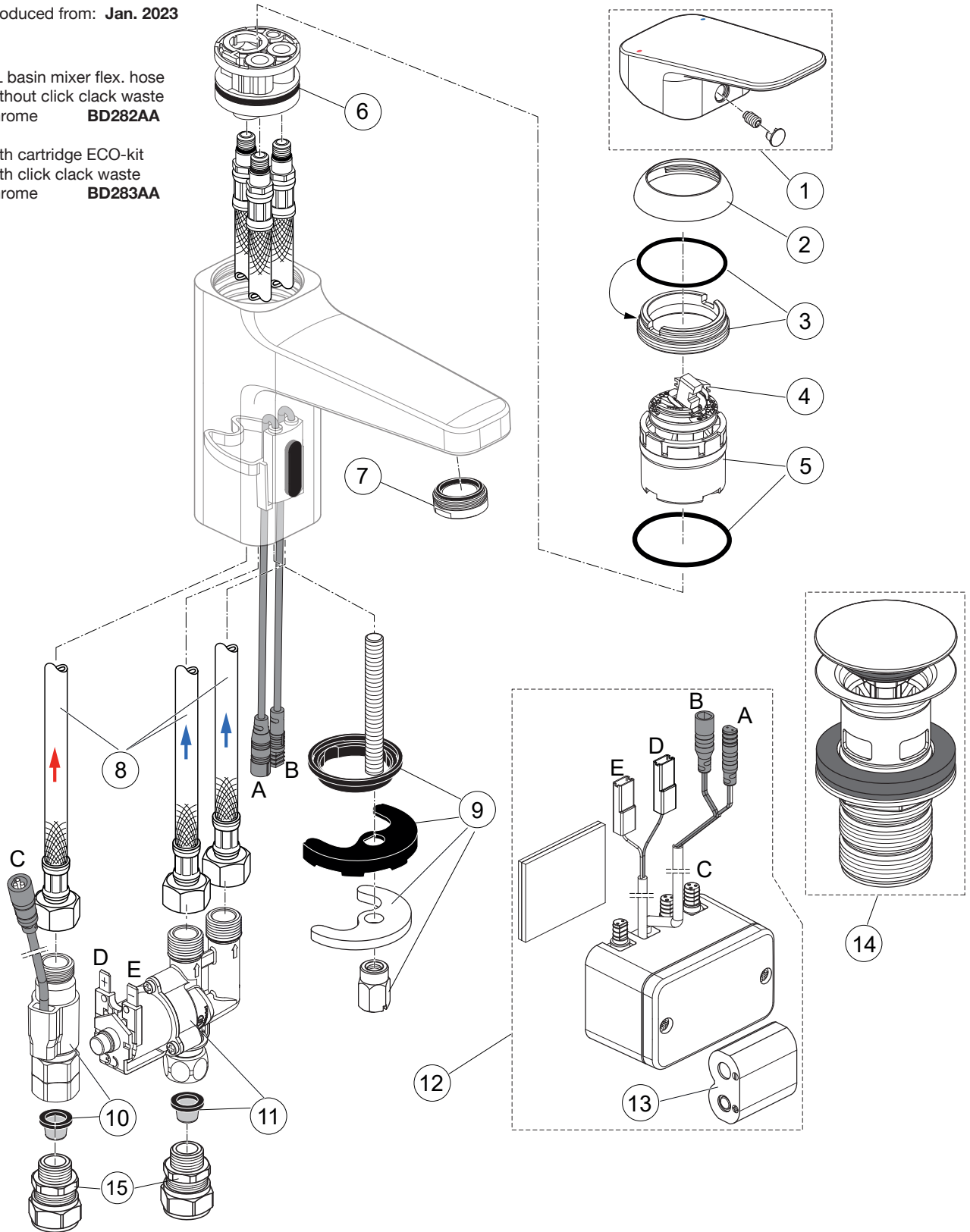


Produced from: Jan. 2023

SL basin mixer flex. hose  
without click clack waste  
chrome **BD282AA**

with cartridge ECO-kit  
with click clack waste  
chrome **BD283AA**



Replace **XX** with the appropriate finish code

Chrome = AA    Silk black = XG

Example spare part order:

**B 961 716 AA** in Chrome

Pos.	Description	Part-Number	Qty.	Pos.	Description	Part-Number	Qty.
1	Handle cpl. with Logo	<b>B 961 716 XX</b>	1 Set	10	Flow sensor	<b>A 861 636 NU</b>	1 Set
2	Cover cap	<b>B 961 438 XX</b>	1 pcs	11	G3/8 Solenoidvalve w. bypass	<b>A 861 637 NU</b>	1 Set
3	Thread ring + O-Ring + Key	<b>B 961 374 NU</b>	1 Set	12	Control box	<b>A 861 638 NU</b>	1 Set
4	Hot limit stop	<b>A 861 181 NU</b>	1 pcs	13	Battery 6V CR-P2	<b>A 960 161 NU</b>	1 pcs
5	Cartridge Ø38 + Key	<b>A 861 156 NU*</b>	1 Set	14	Klick waste silk black	<b>E 1482 XG</b>	1 Set
6	O - Ring Ø 34 x 2	<b>A 960 183 NU</b>	1 pcs	15	Klick waste chrome	<b>B 961 705 AA</b>	1 Set
7	Aerator M24x1 - 5ltr/min	<b>B 961 383 XX</b>	1 pcs		Connector G3/8 D15	<b>B 960 845 NU</b>	2 pcs
8	Flex. hose M8x1-G3/8-425	<b>A 962 370 NU</b>	1 pcs				
9	Fixation kit	<b>A 964 520 NU*</b>	1 Set				

\*Universal set (not all parts needed)