



# HANSA

Installation and maintenance guide





4-6



7-14



15-18

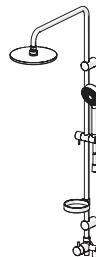
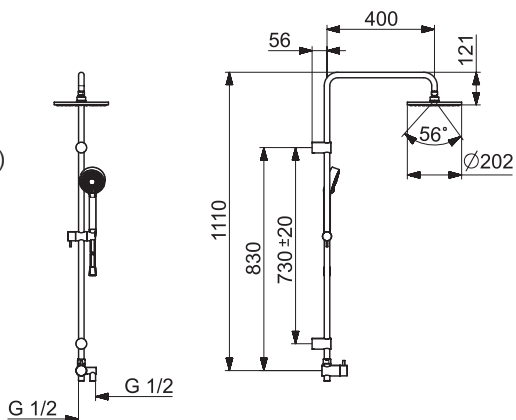


19



## 4418 0200

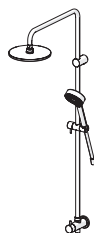
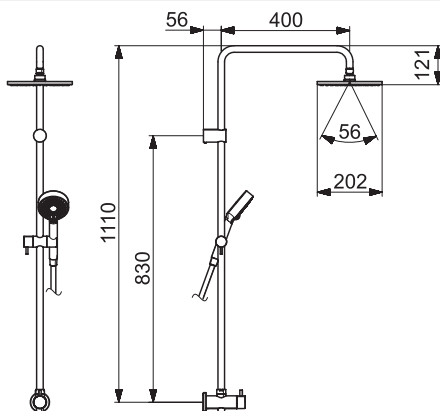
EN 1112, EN 1113  
50 - 1000 kPa  
0.20 l/s (300 kPa)  
0.20 l/s (300 kPa w/Controller)  
max. +65°C



[mpi.hansa.com/44180200](http://mpi.hansa.com/44180200)

## 4419 0200

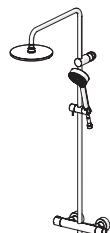
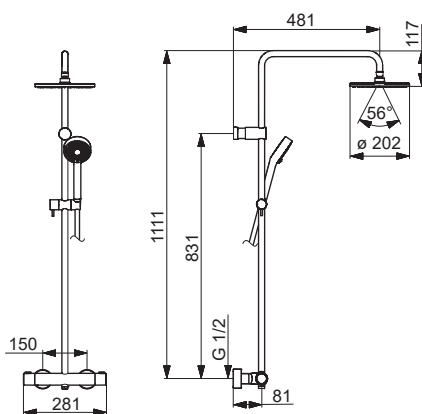
EN 1112, EN 1113  
50 - 1000 kPa  
0.20 l/s (300 kPa)  
0.20 l/s (300 kPa w/Controller)  
max. +65°C



[mpi.hansa.com/44190200](http://mpi.hansa.com/44190200)

## 5809 9103

EN 1111, EN 1112, EN 1113  
100 - 1000 kPa  
0.20 / 0.20 l/s (300 kPa)  
300 kPa (0.2 l/s)  
max. +80°C

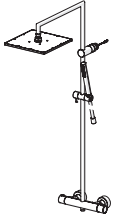
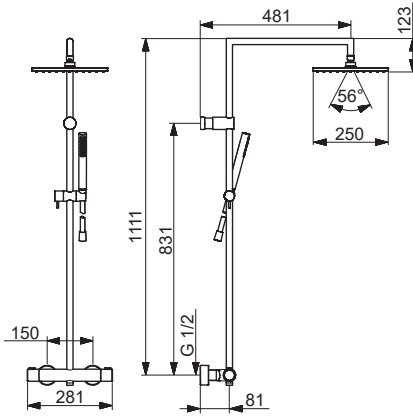


[mpi.hansa.com/58099103](http://mpi.hansa.com/58099103)



**5809 9113**

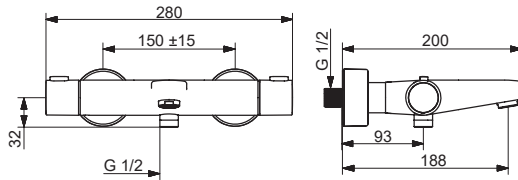
EN 1111, EN 1112, EN 1113  
 100 - 1000 kPa  
 0.22 l/s (300 kPa)  
 0.20 l/s (300 kPa w/Controller)  
 300 kPa (0.2 l/s)  
 max. +80°C



[mpi.hansa.com/58099113](http://mpi.hansa.com/58099113)

**5810 2101**

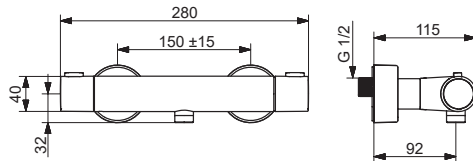
EN 1111  
 100 - 1000 kPa  
 0.29 / 0.24 l/s (300 kPa)  
 210 kPa (0.3 l/s)  
 max. +80°C



[mpi.hansa.com/58102101](http://mpi.hansa.com/58102101)

**5808 0101**

I (ISO 3822)  
 EN 1111  
 100 - 1000 kPa  
 0.32 l/s (300 kPa)  
 130 kPa (0.2 l/s)  
 max. +80°C

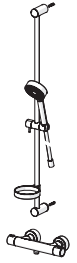
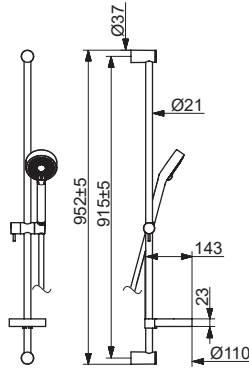
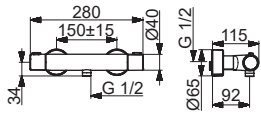


[mpi.hansa.com/58080101](http://mpi.hansa.com/58080101)



### 4808 0131

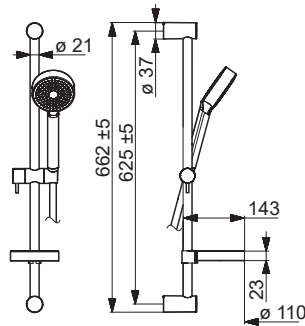
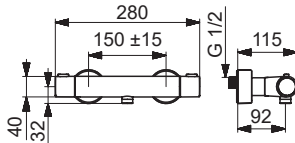
EN 1111, EN 1112, EN 1113  
 100 - 1000 kPa  
 0.20 l/s (300 kPa)  
 max. +80°C



[mpi.hansa.com/48080131](http://mpi.hansa.com/48080131)

### 4808 0121

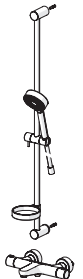
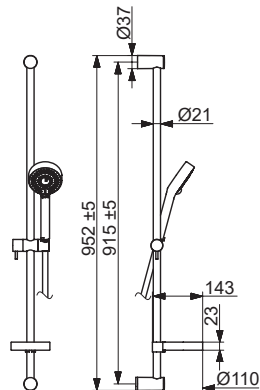
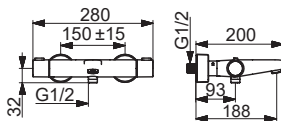
EN 1111, EN 1112, EN 1113  
 100 - 1000 kPa  
 0.20 l/s (300 kPa)  
 max. +80°C



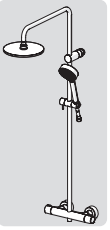
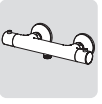
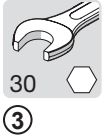
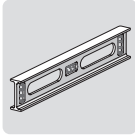
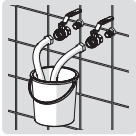
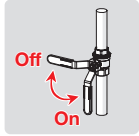
[mpi.hansa.com/48080121](http://mpi.hansa.com/48080121)

### 4810 2131

EN 1111, EN 1112, EN 1113  
 100 - 1000 kPa  
 max. +80°C

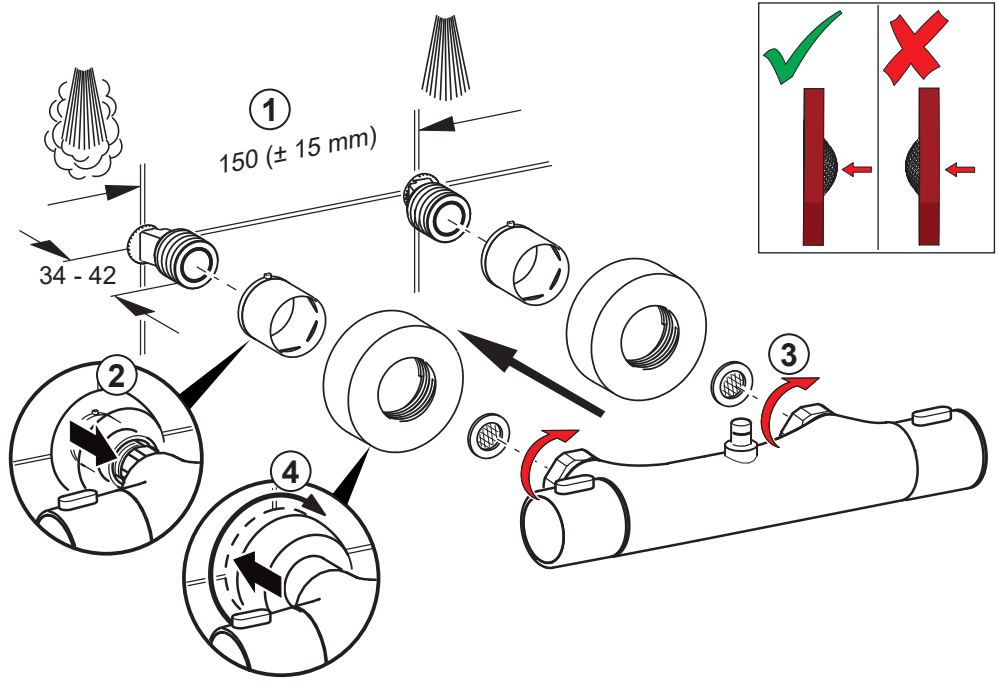


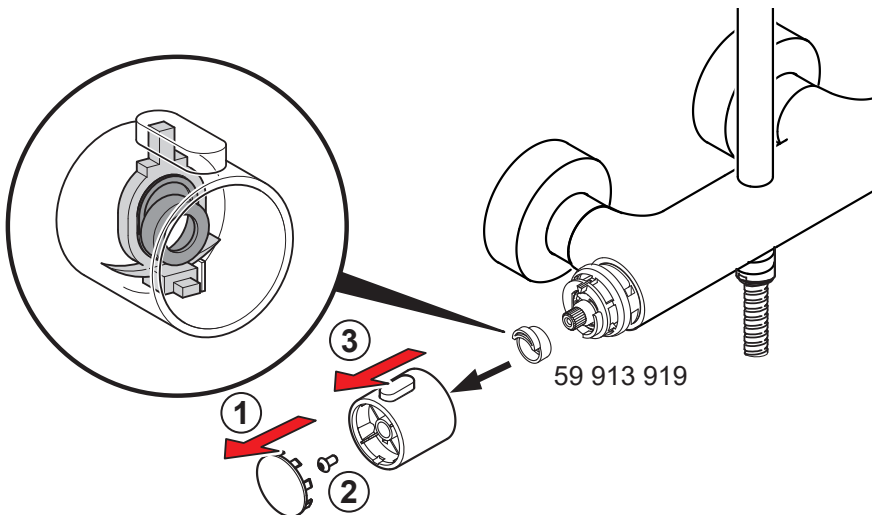
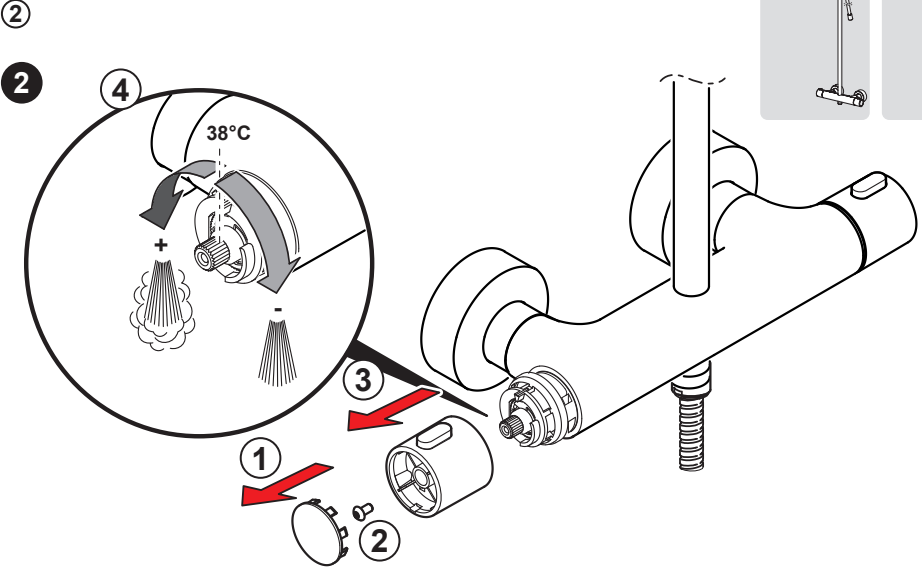
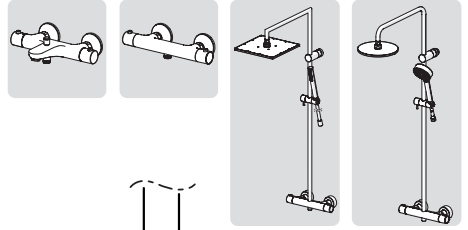
[mpi.hansa.com/48102131](http://mpi.hansa.com/48102131)



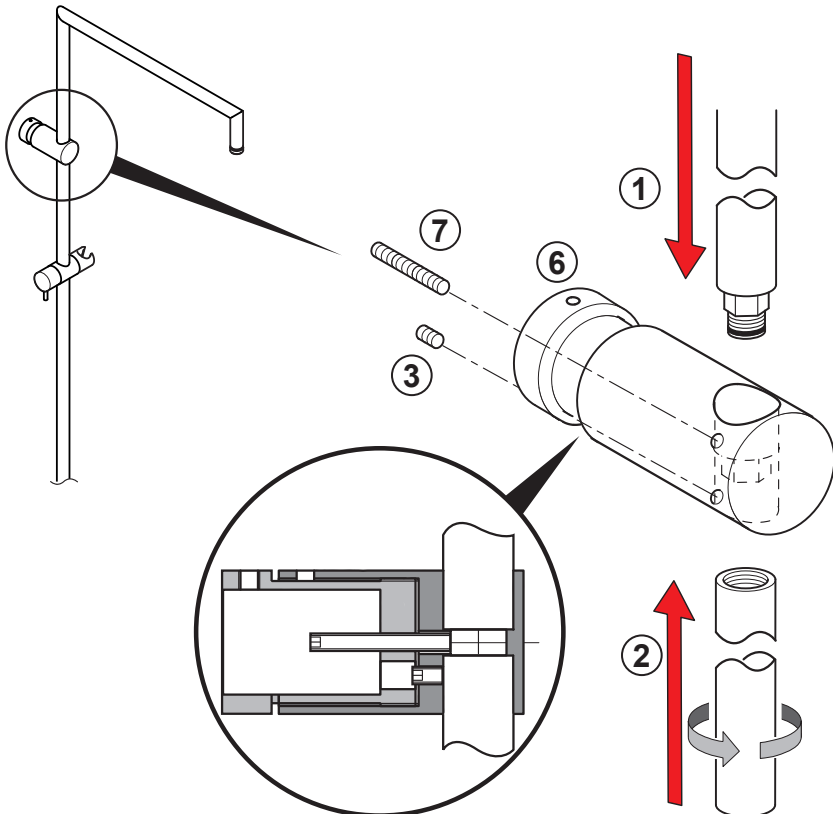
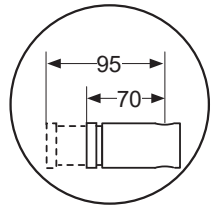
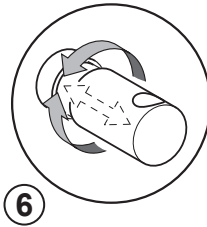
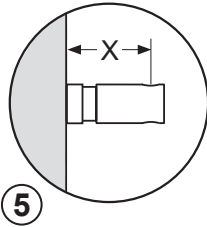
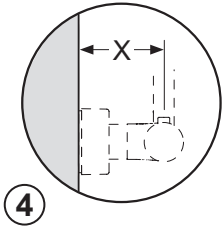
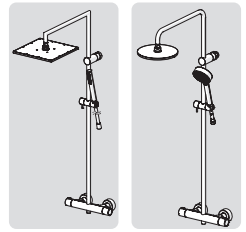
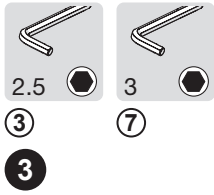
**1**

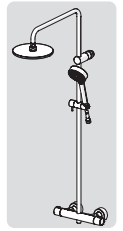
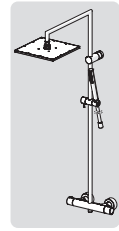
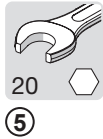
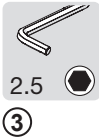
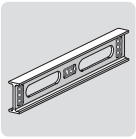
max.  
1600 kPa



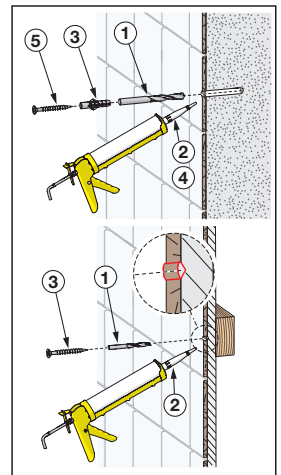
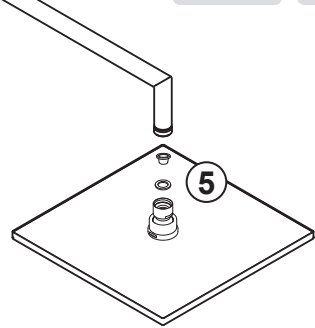
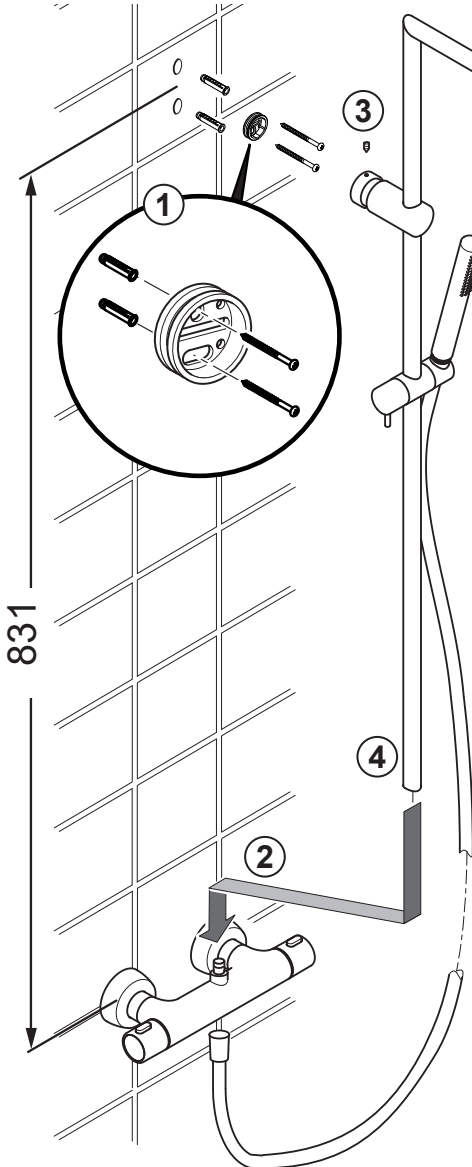


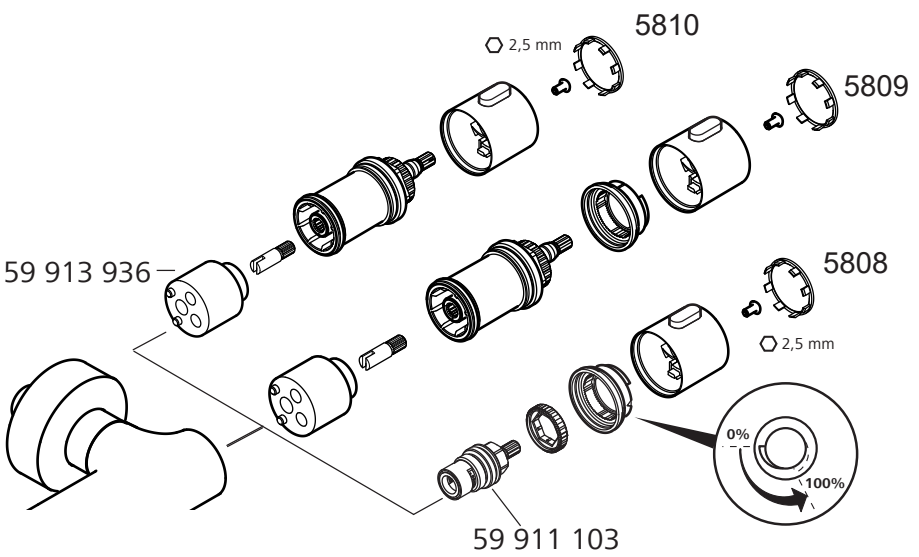
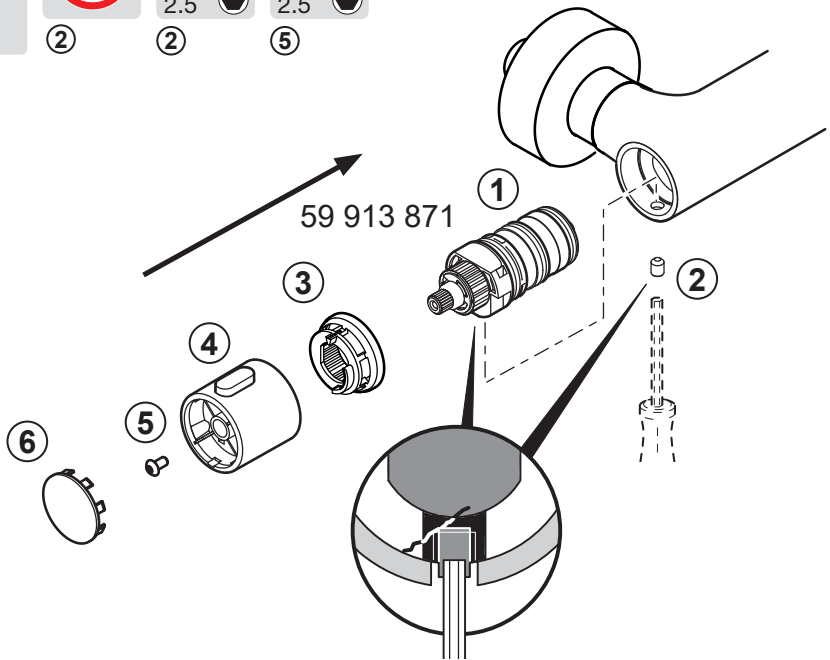
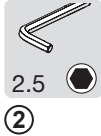
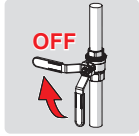






4



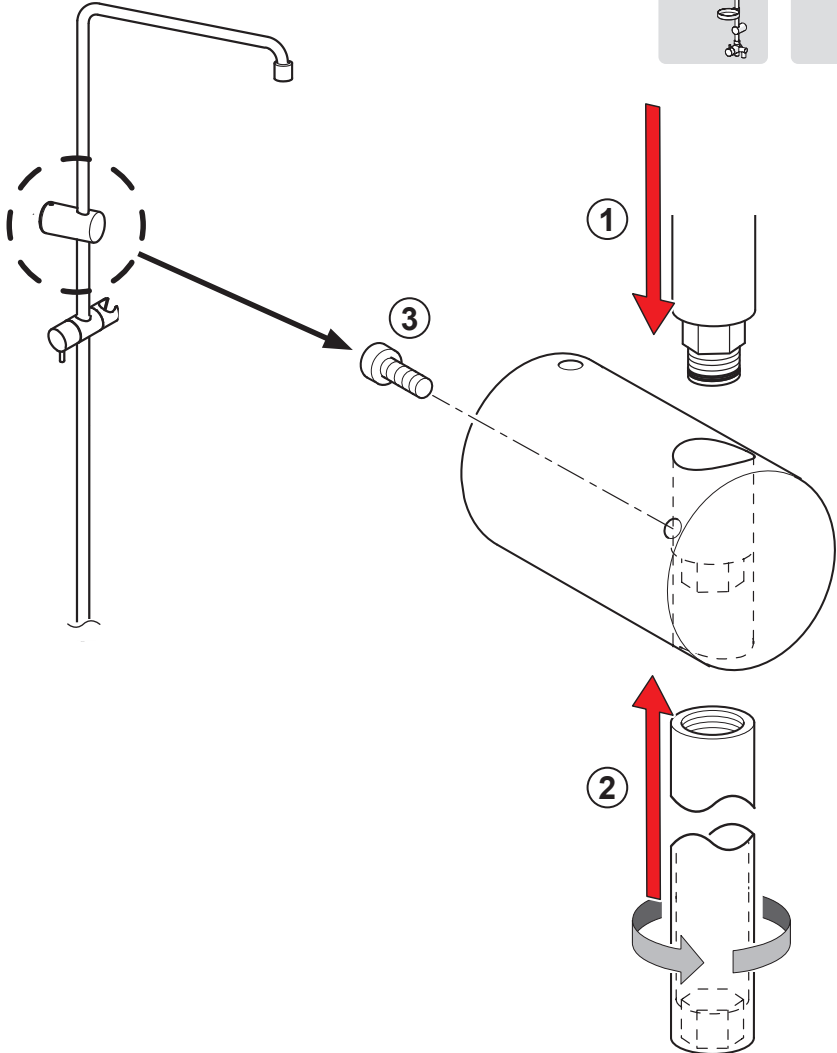
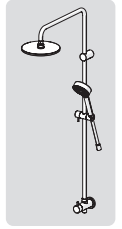
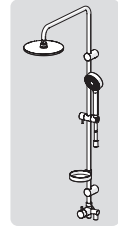


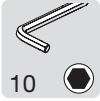


8

②

①





①

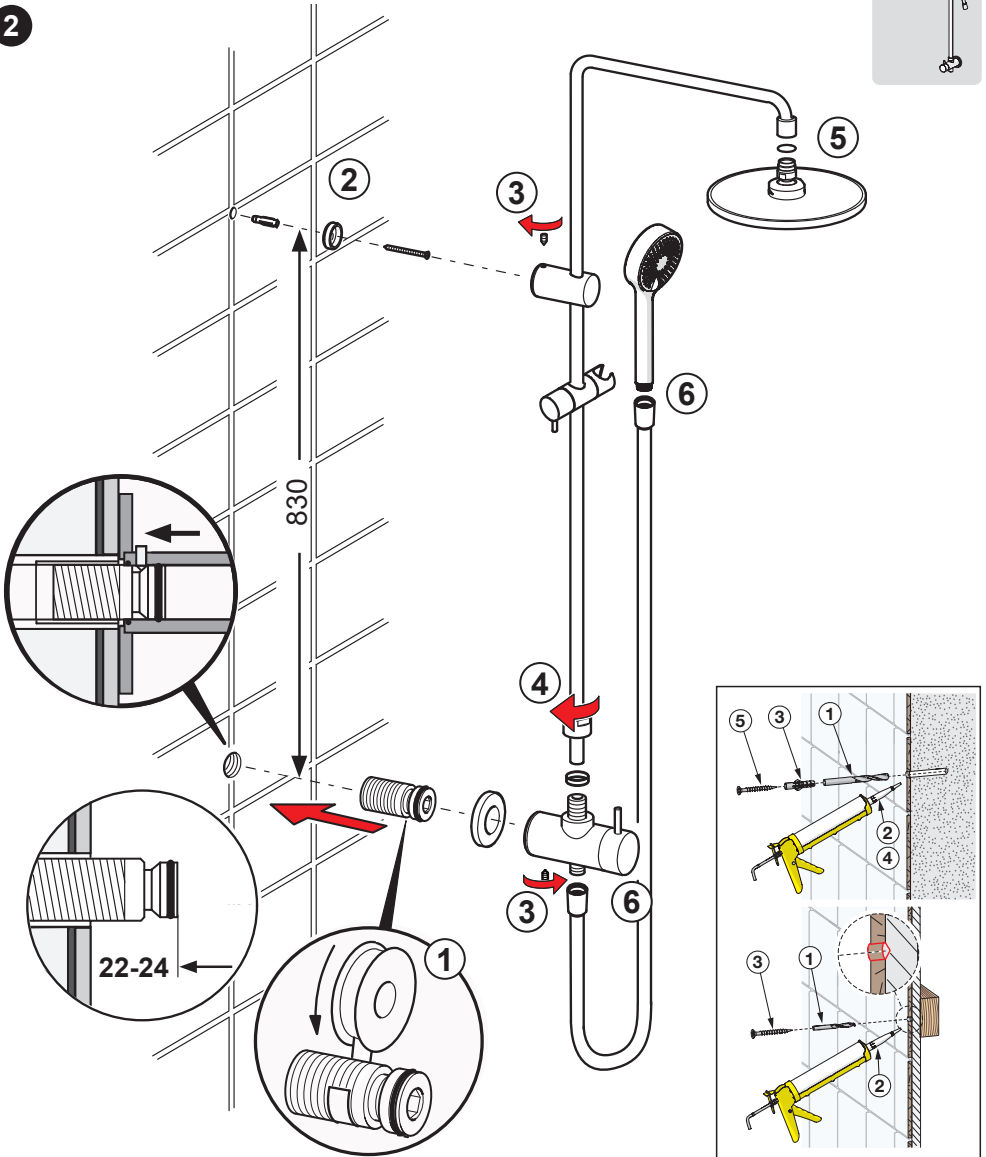
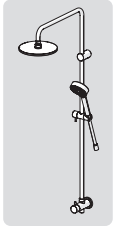


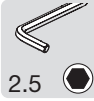
③



⑤

②





2.5

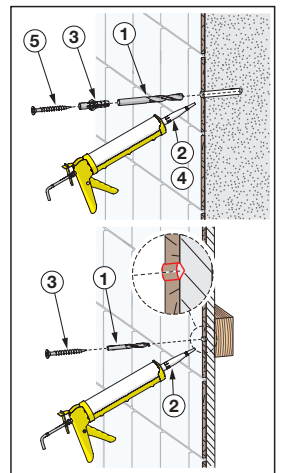
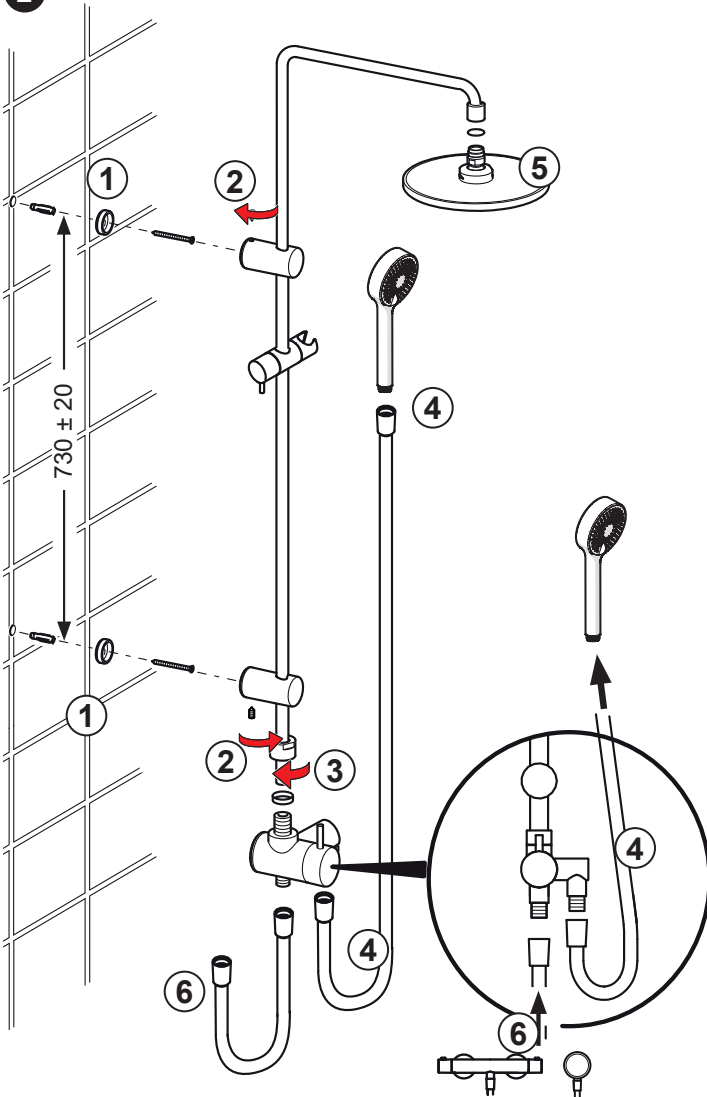
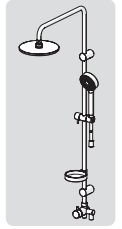


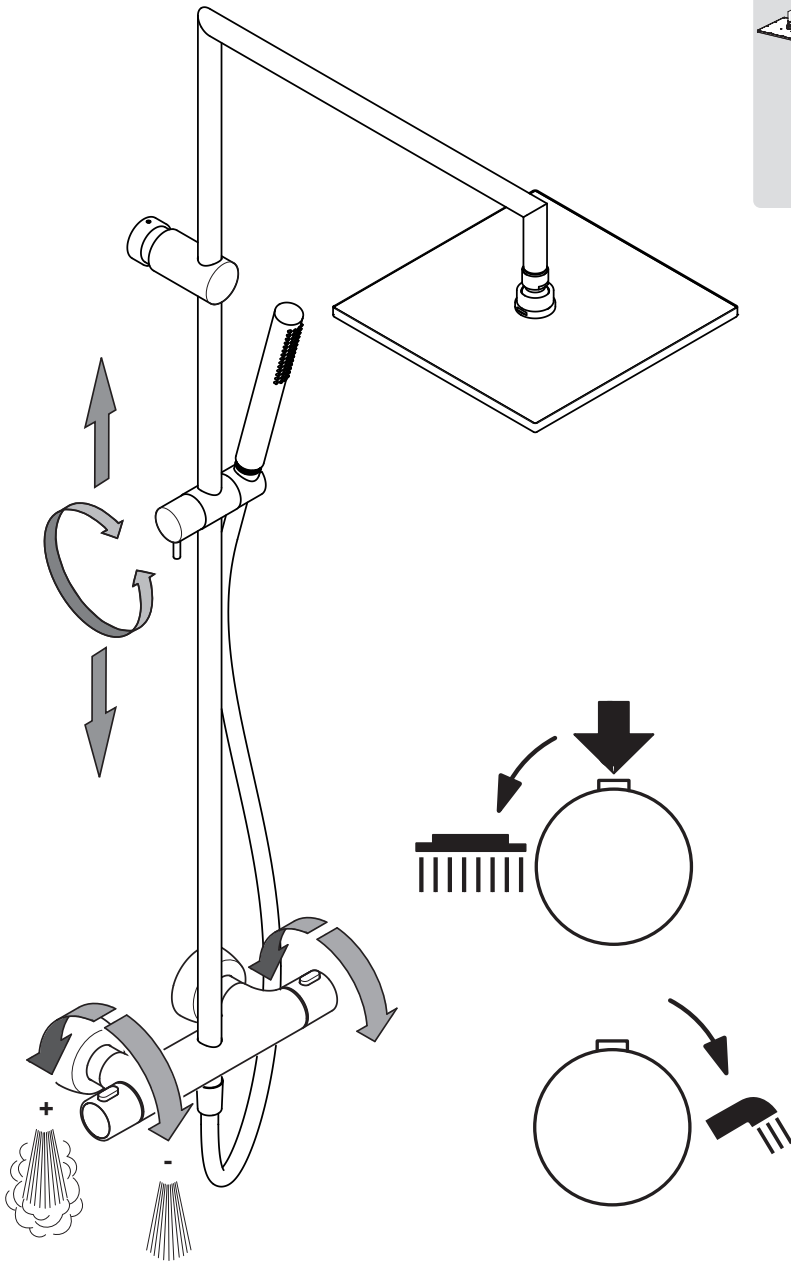
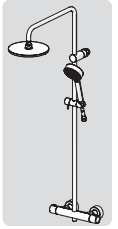
24

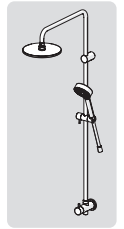
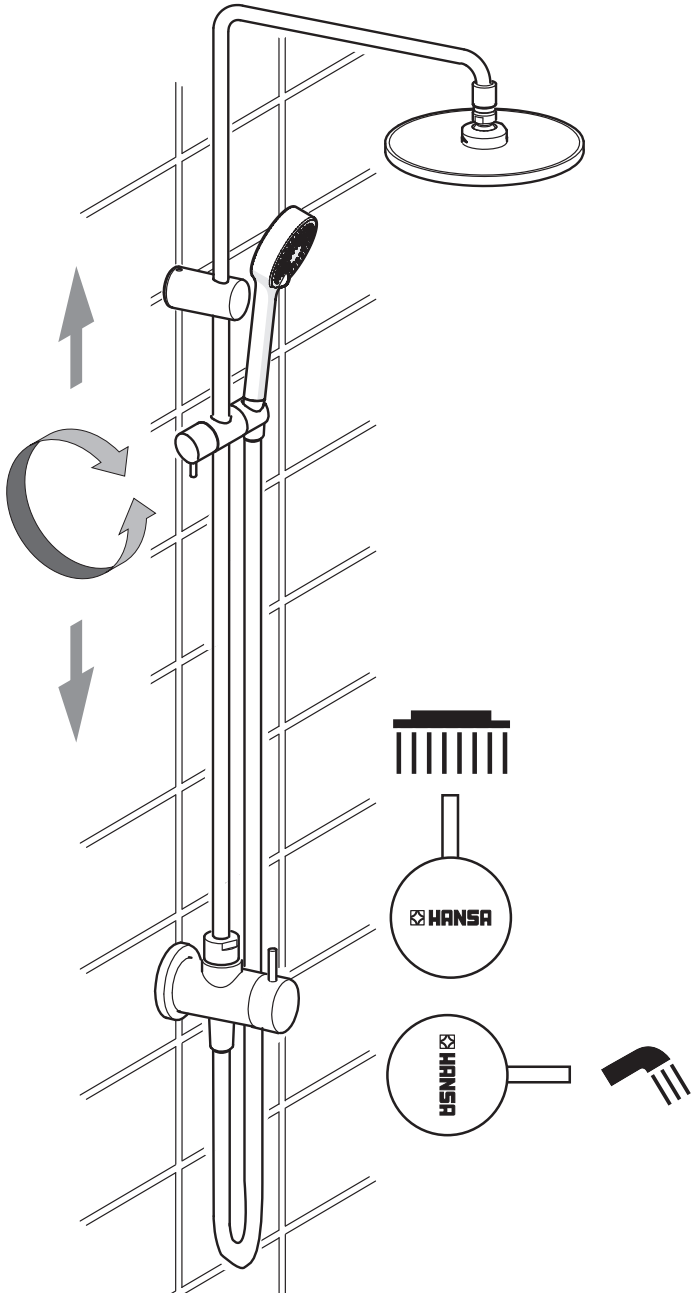
②

⑤

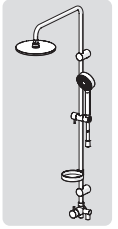
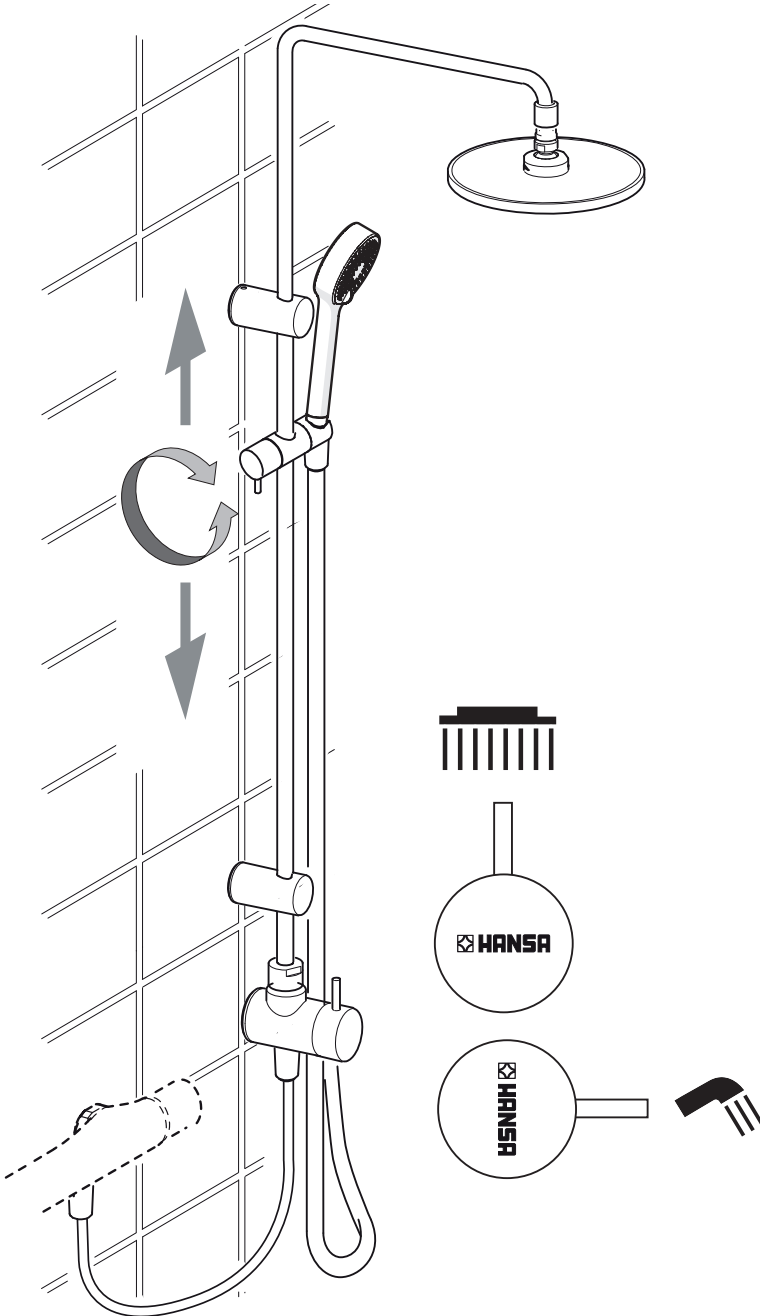
**2**

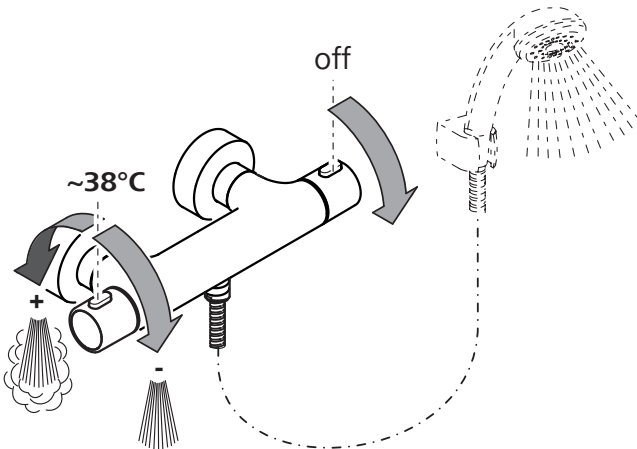
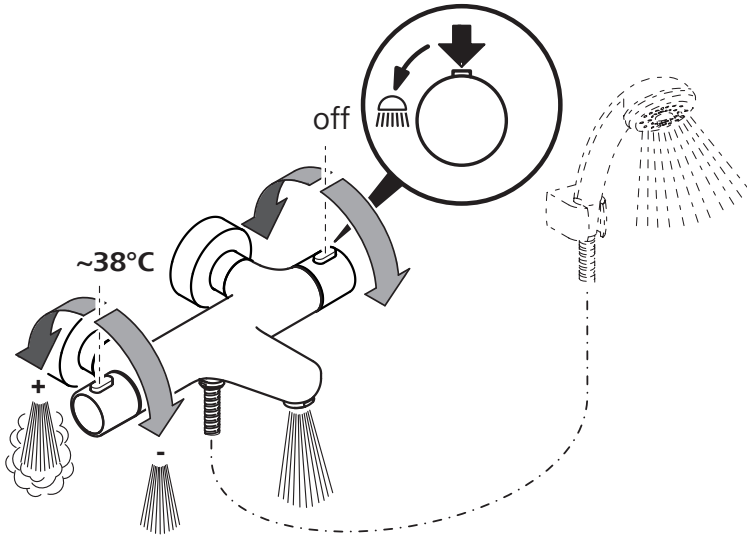






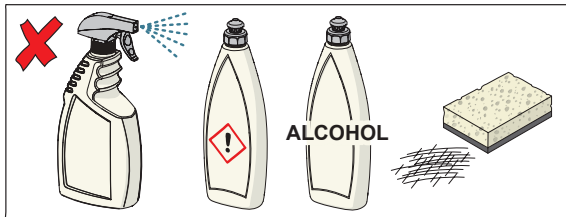
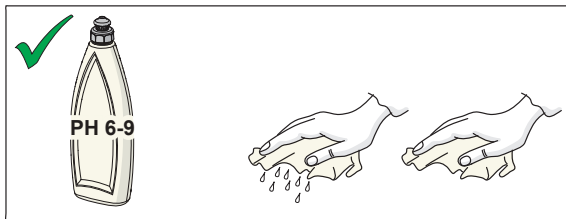
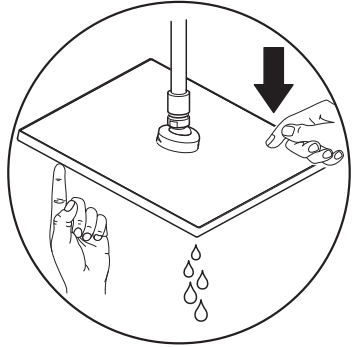
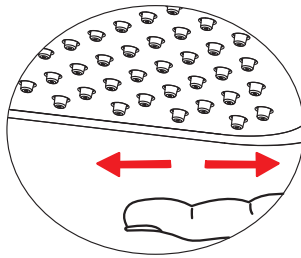
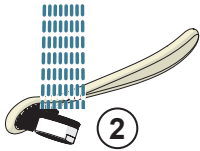








②



[cleaning.hansa.com](http://cleaning.hansa.com)

Oras Group is a powerful European provider of sanitary fittings: the market leader in the Nordics and a leading company in Continental Europe. The company's mission is to make the use of water easy and sustainable and its vision is to become the European leader of advanced sanitary fittings. Oras Group has two strong brands: Oras and Hansa.

The Group's head office is located in Rauma, Finland, and the Group has three manufacturing sites: Kralovice (Czech Republic), Olesno (Poland) and Rauma (Finland). Oras Group employs approximately 1,200 people in twenty countries. Oras Group is owned by Oras Invest, a family company and an industrial owner.

HANSA Armaturen GmbH  
P. O. BOX 81 02 40  
D-70519 Stuttgart  
Sigmaringer Strasse 107  
D-70567 Stuttgart  
Tel.: +49 711 16 14 0  
Fax: +49 711 16 14 368  
info@hansa.de  
www.hansa.com



943452D-03-21