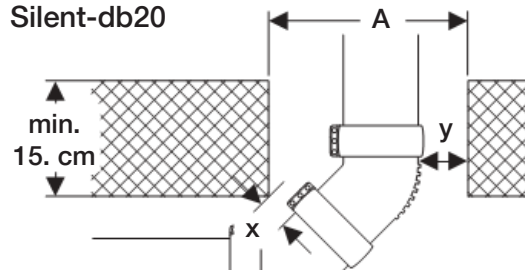
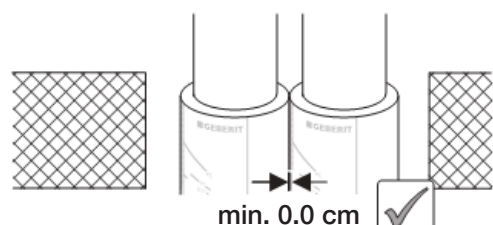


i Silent-db20




\varnothing / DN	$A \geq$	$y \geq$	$x \geq$
160 / 150	37.5 cm	6.0 cm	3.0 cm

i

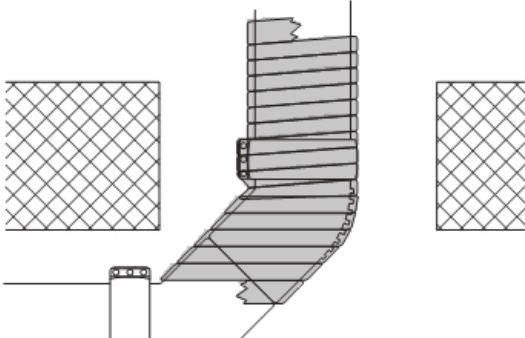


min. 0.0 cm

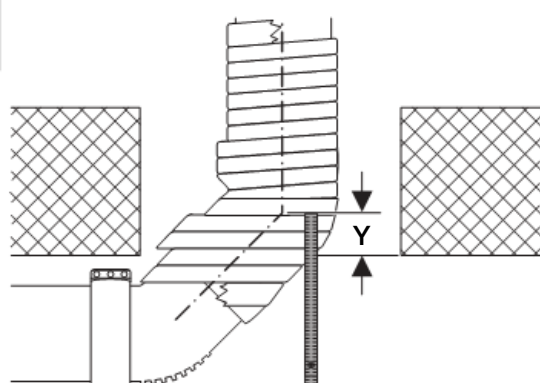
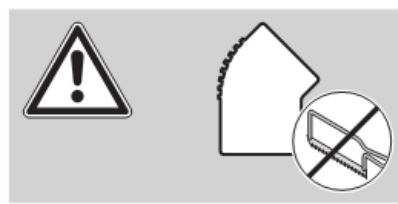
1



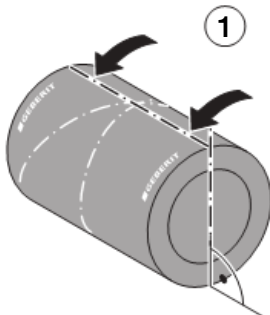
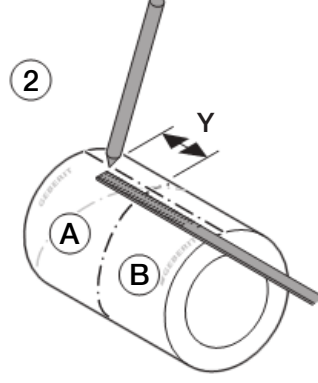
300.007.00.2

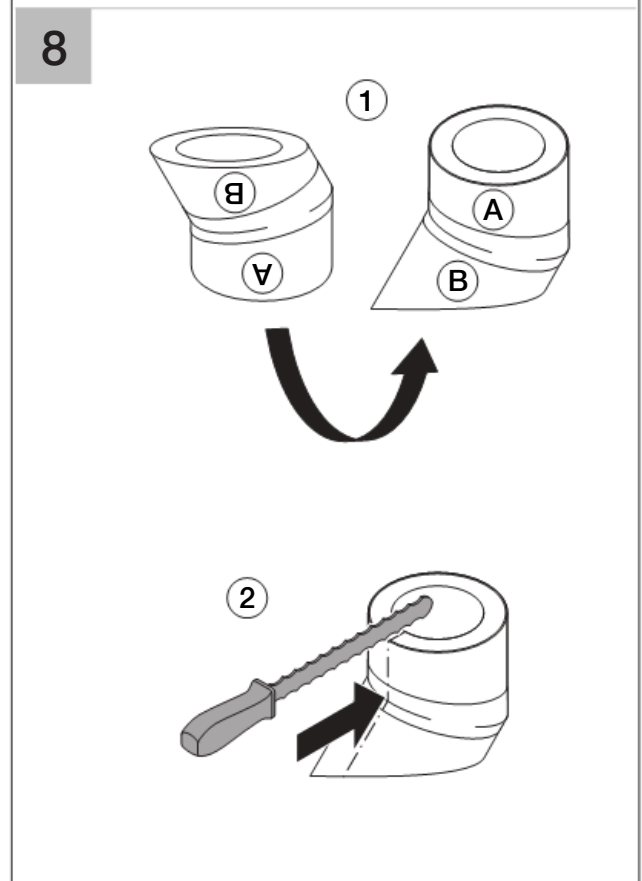
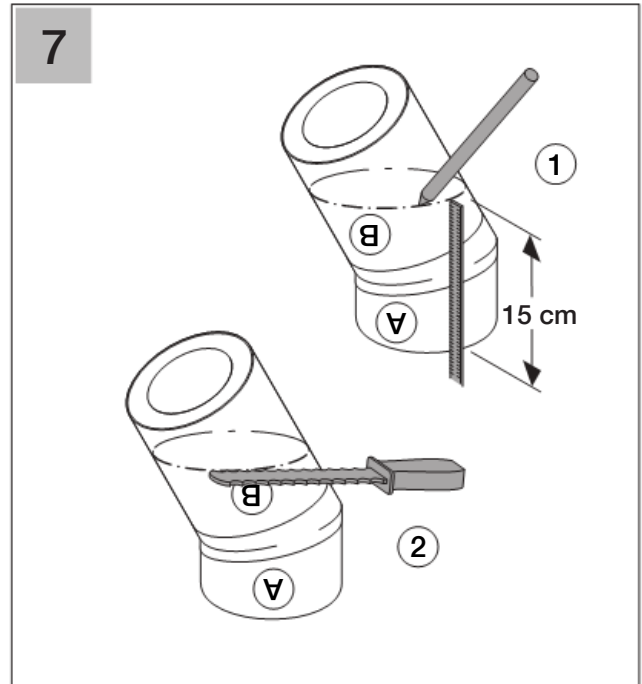
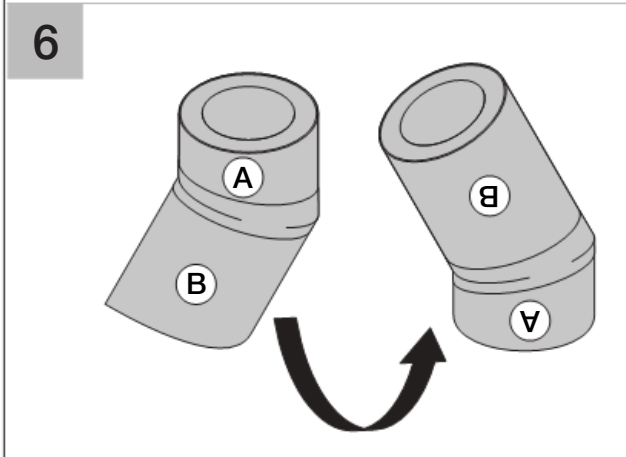
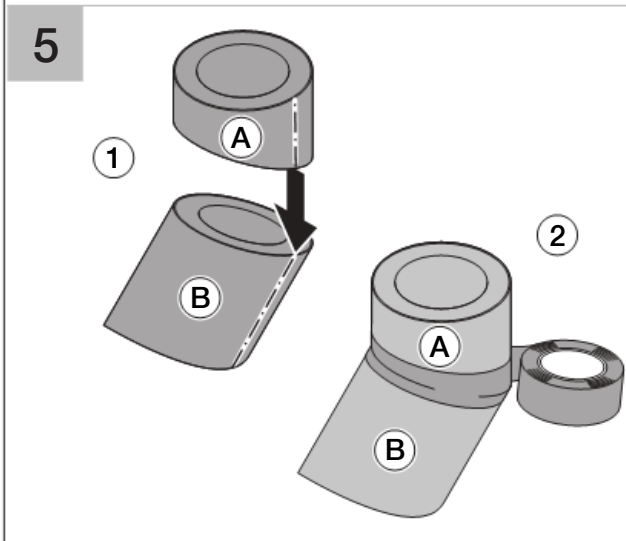
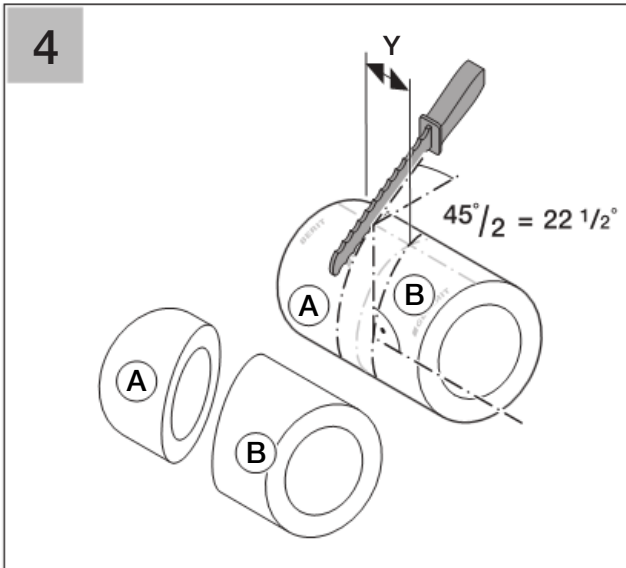


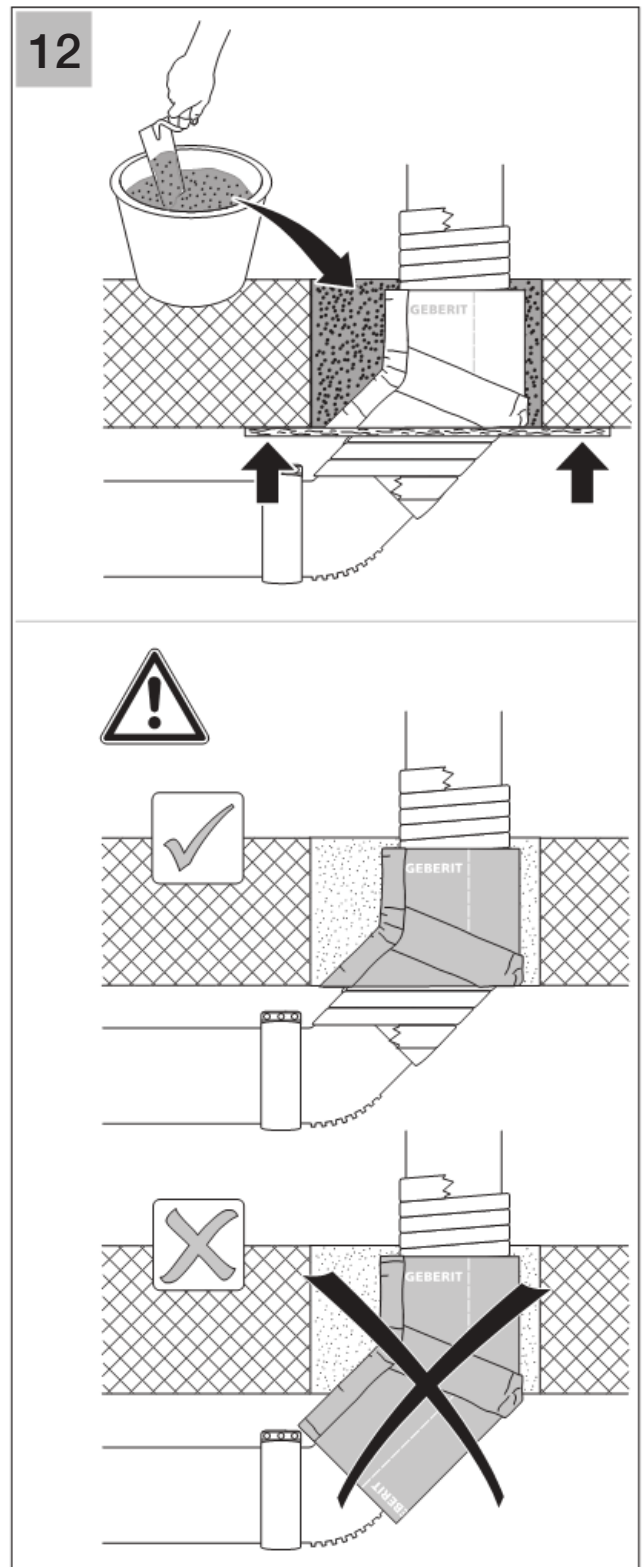
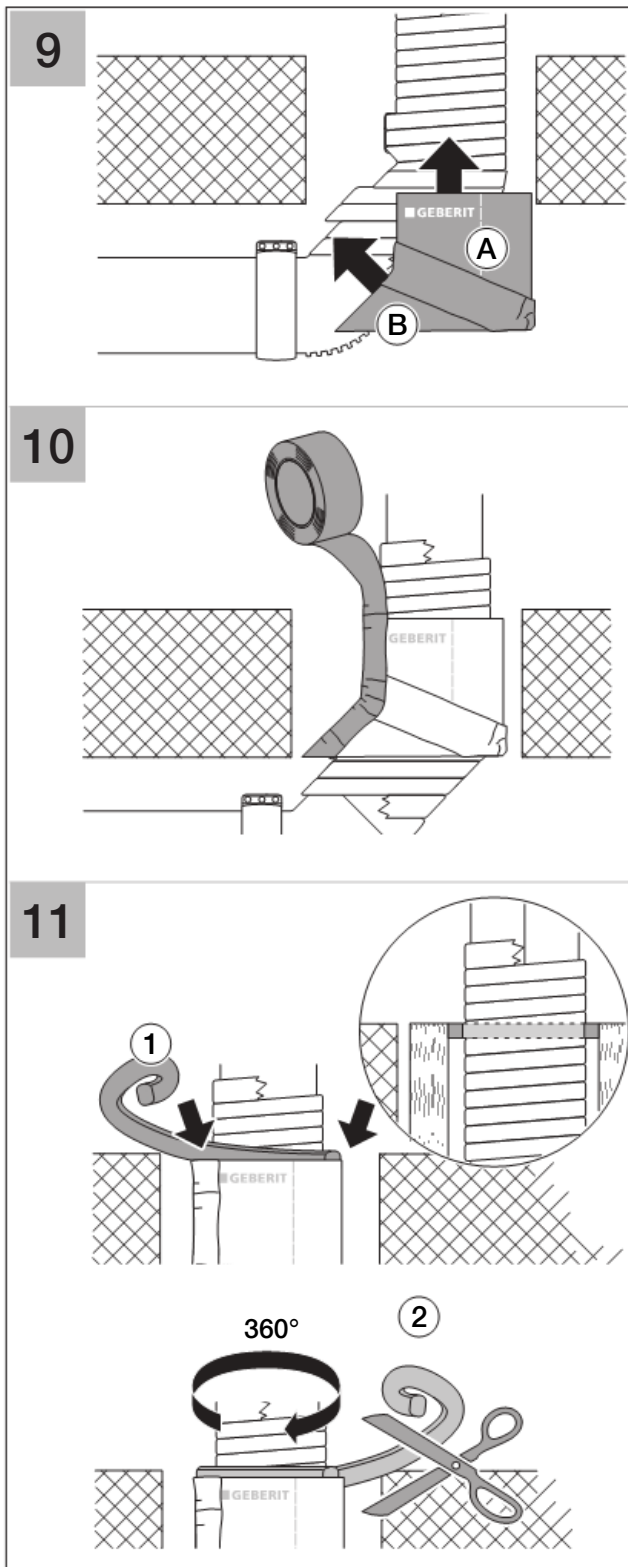
2

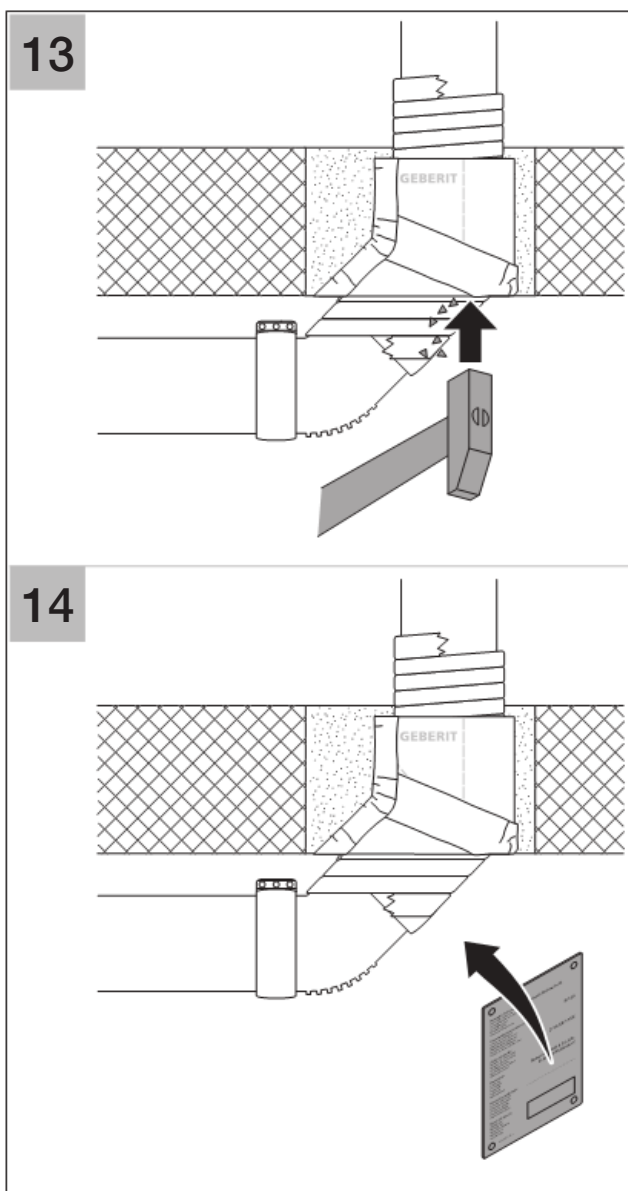



3







i

Silent-db20

\varnothing / DN	$A \geq$	$y \geq$
160 / 150	28.0 cm	6.0 cm

i

min. 0.0 cm

1

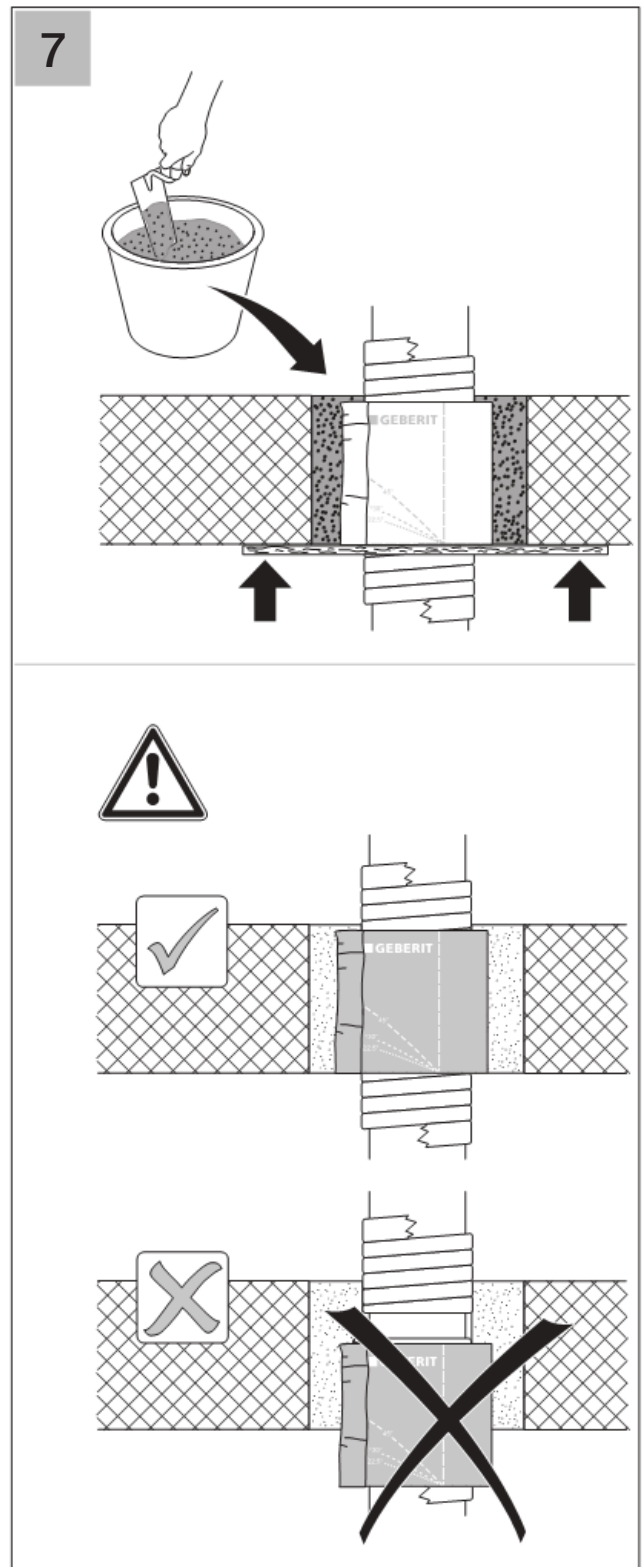
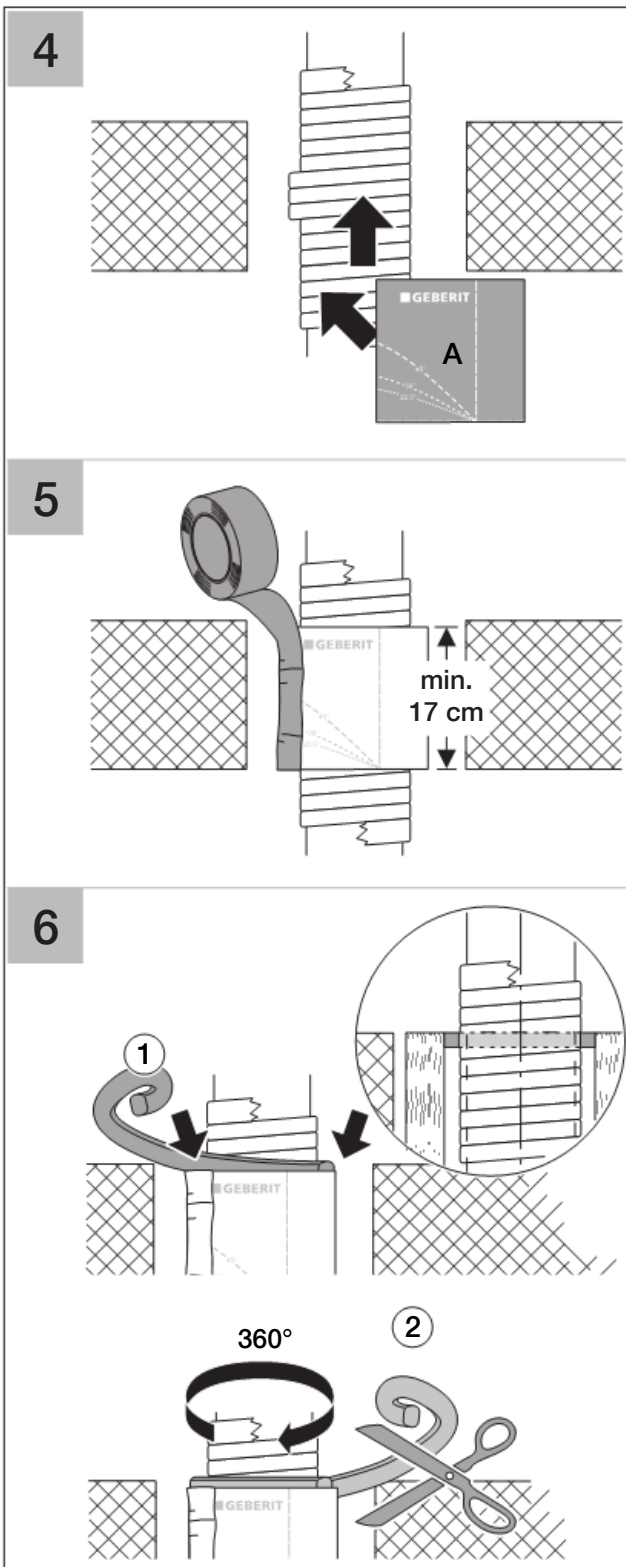
300.007.00.2

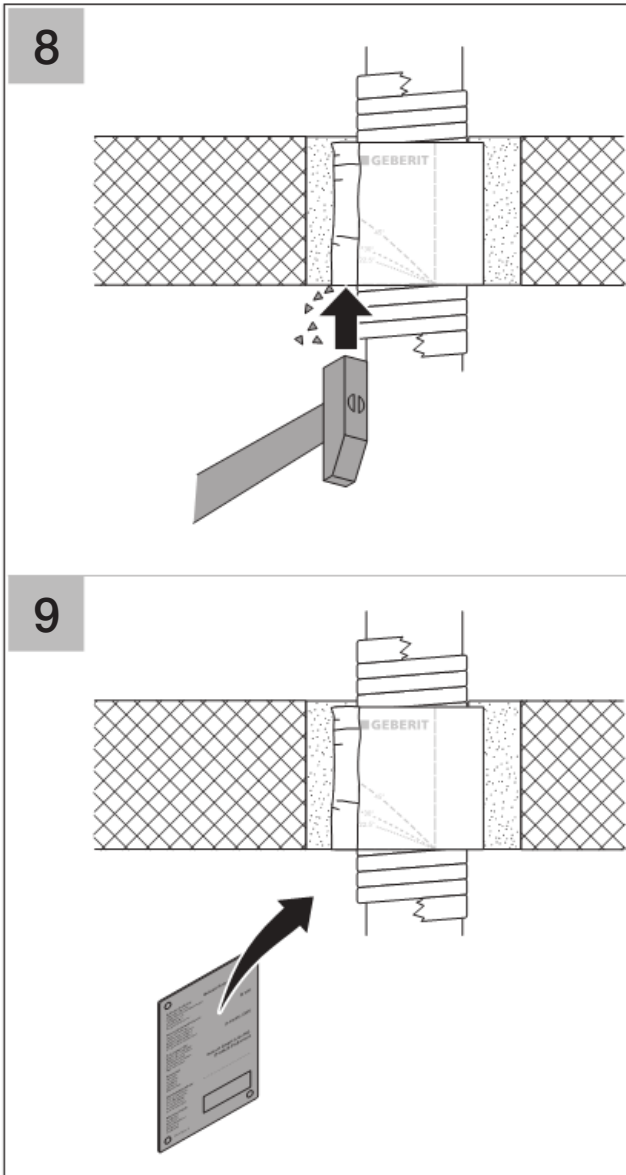
2

i

Nr. 1 ~~Nr. 2~~

3





i

Silent-db20

min. 15. cm

\varnothing / DN	$x \geq$
160 / 150	6.0 cm

i

min. 0.0 cm

1

0°-45°

2

300.007.00.2

3

1

2

0°-45°

A

B

