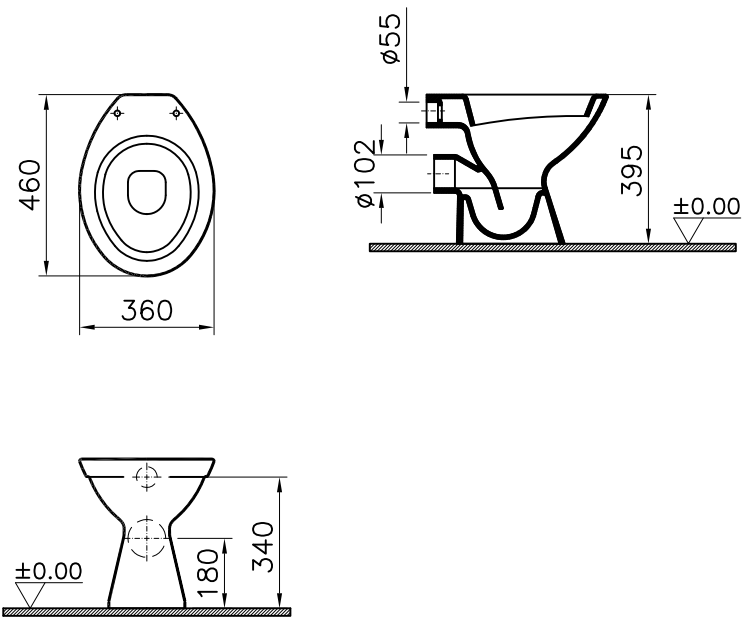


Theoretic Mass(kg)		Revision	
Surface Area(dm ²)		A4	

Thread	Hole	Shaft



1	1	WC pan / horizontal outlet	6858-1028	Ceramic	
item	Quantity	Part Name	Drawing No	Material	Material Class
		Series	Material	Ceramic	Material Class
		NORM	WC pan / horizontal outlet		
Drawn By		Controlled By	Approved By	Date	Drawing No
B.SENYUVA		O.KONEZ	B.TOPÇU	29.03.2004	6858
				Scale	VitrA® ARTEMA®
				1/20	

01	Replaces drawing dated 29.03.2004	23.09.2009	G.GULTER
R.S	Description	Date	NAME

This drawing can only be used for the intended purposes. Unauthorized copying is strictly prohibited.