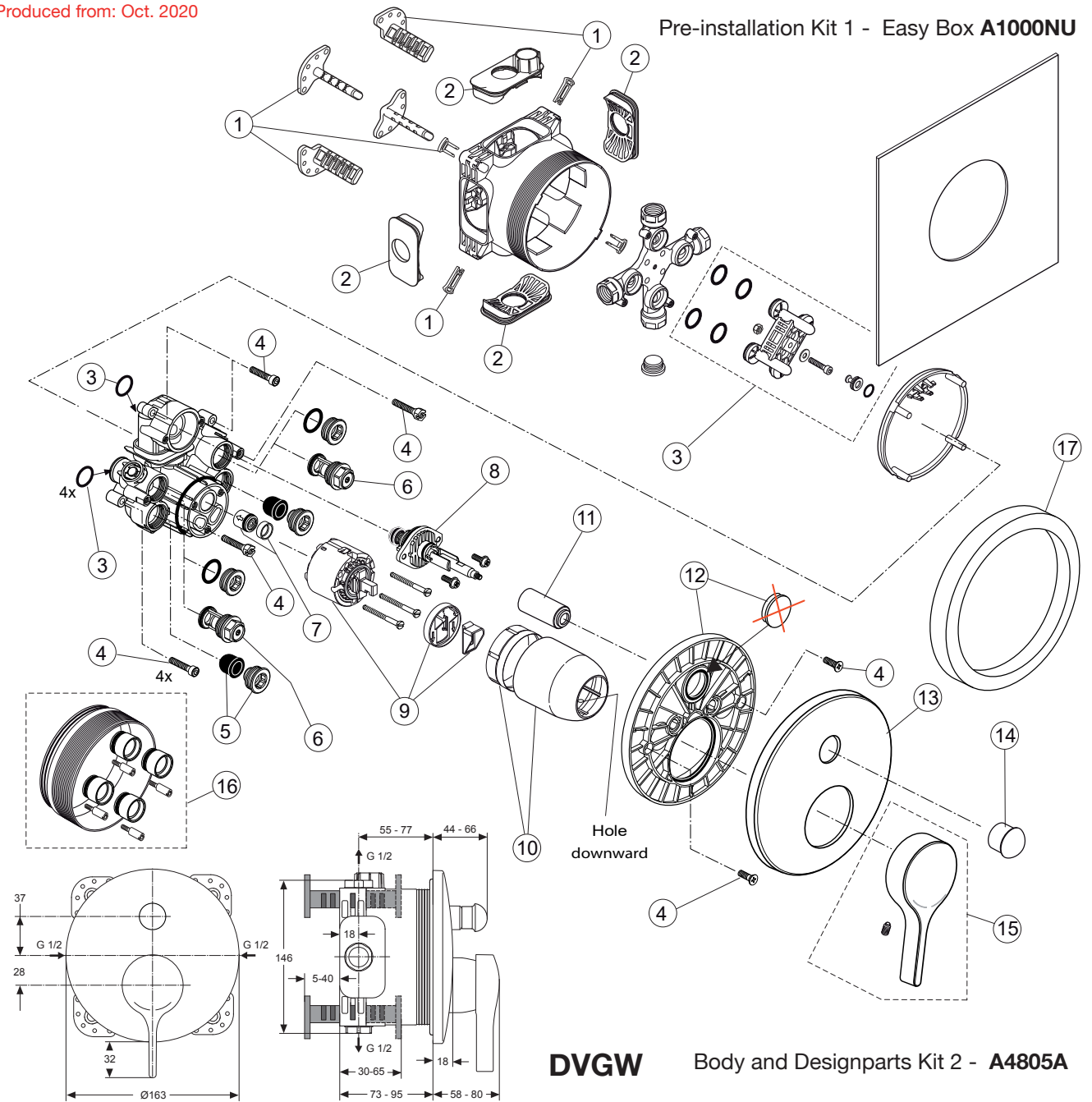


Produced from: Oct. 2020

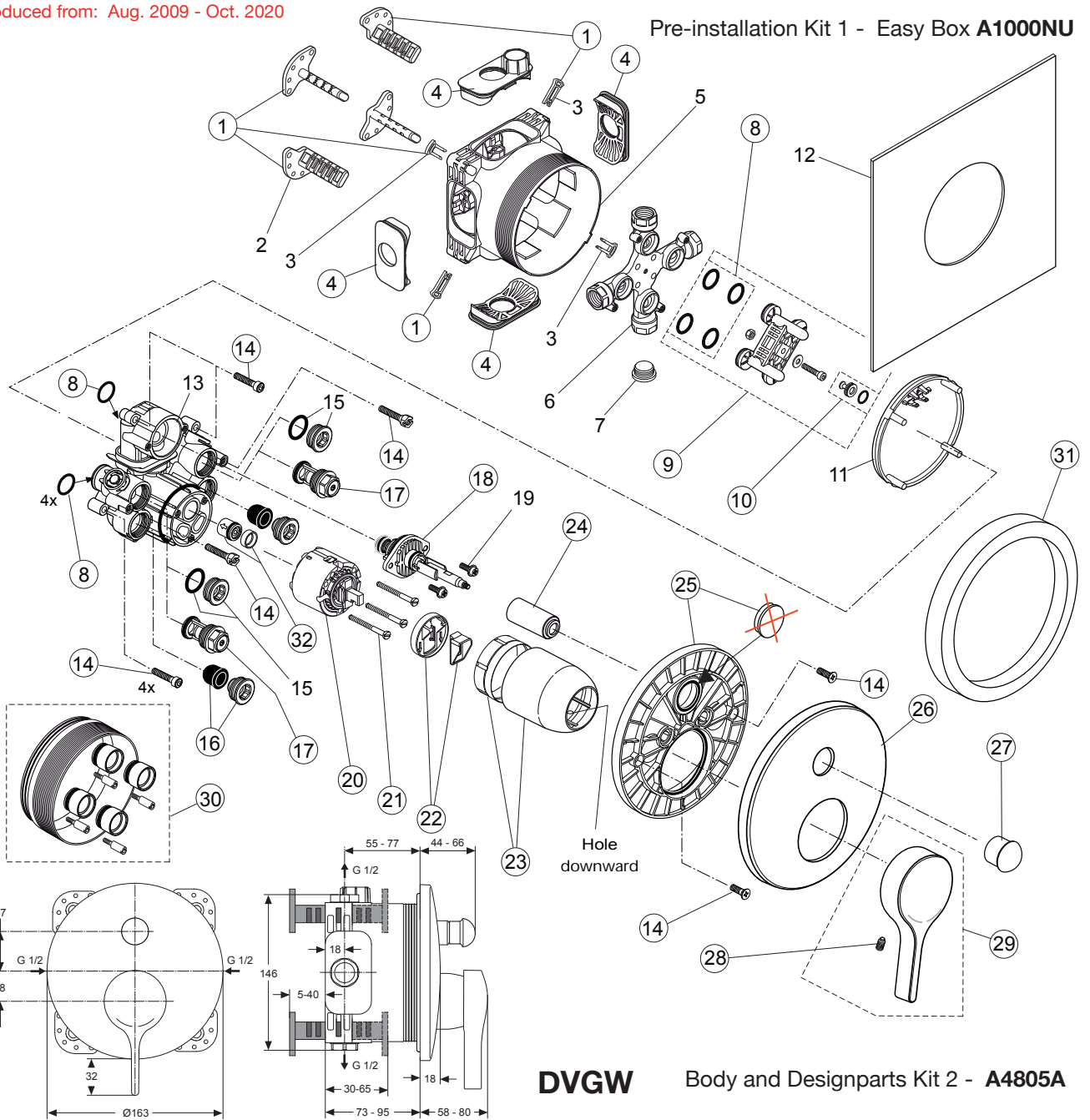


Replace XX with the appropriate finish code  
chrome = AA,

Example spare part order:  
A 960 893 AA in chrome

Pos.	Description	Part-Number	Qty.	Pos.	Description	Part-Number	Qty.
1	Install. depth adjust.	A 963 131 NU	1 Set	13	Escutcheon B/S curved	A 960 896 XX	1 pcs
2	Side sealing	A 963 132 NU	1 Set	14	Pull knob	A 960 897 XX	1 pcs
3	Flushing device cpl.	A 963 146 NU	1 Set	15	Lever compl. with Logo ISI	A 962 065 XX	1 pcs
4	Screw set complete	A 960 890 NU	1 Set	16	Extension kit 20mm	A 960 704 NU	1 Set
5	Low noise insert	A 960 891 NU	1 pcs		Extension kit 40mm	A 962 476 NU	1 Set
6	Stop valve	A 960 706 NU	2 pcs	17	Distance frame 20mm	A 960 705 XX	1 pcs
7	Non-return valve + ring	A 962 866 NU	1 Set				
8	Diverter complete	A 963 443 NU	1 pcs				
9	Cartridge with ECO-kit	A 960 500 NU	1 pcs				
10	Cover + clamping + O-ring	A 960 893 XX	1 pcs				
11	Cover / Cap for diverter	A 960 894 XX	1 pcs				
12	Escutcheon holder compl.	A 960 895 NU	1 Set				

Produced from: Aug. 2009 - Oct. 2020



**DVGW** Body and Designparts Kit 2 - **A4805A**

Replace XX with the appropriate finish code  
chrome = AA,

Example spare part order:  
A 960 893 AA in chrome

Pos.	Description	Part-Number	Qty.	Pos.	Description	Part-Number	Qty.
1	Installation depth adjustment with clips	<b>A 963 131 NU</b>	1 Set	17	Stop valve	<b>A 960 706 NU</b>	2 pcs
2	Depth adjustment device			18	Diverter complete	<b>A 963 443 NU</b>	1 pcs
3	Adjustment lock ( contained in pos. 1 )			19	Screw M4x12		
4	Side sealing	<b>A 963 132 NU</b>	1 Set	20	Cartridge with pos.22	<b>A 960 500 NU</b>	1 pcs
5	Built-in box			21	Cylindrical screw M4x41,7	<b>A 963 335 NU</b>	3 pcs
6	Multi-way body			22	ECO-kit	<b>A 860 700 NU</b>	1 Set
7	Plug G1/2			23	Cover + clamping + O-ring	<b>A 960 893 XX</b>	1 pcs
8	O-ring Ø 17 x 2,5	<b>A 963 143 NU</b>	1 Set	24	Cover / Cap for diverter	<b>A 960 894 XX</b>	1 pcs
9	Flushing device with Screw, washer + sealing set	<b>A 963 146 NU</b>	1 Set	25	Escutcheon holder compl.	<b>A 960 895 NU</b>	1 Set
10	Plug with o-ring Ø 12x1,5	<b>A 963 147 NU</b>	1 pcs	26	Escutcheon B/S curved	<b>A 960 896 XX</b>	1 pcs
11	Cover for built-in box			27	Pull knob	<b>A 960 897 XX</b>	1 pcs
12	Sealing fleece			28	Thread pin M5x10 DIN915	<b>A 963 309 NU</b>	1 pcs
13	Body Single lever			29	Lever compl. with Logo ISI	<b>A 962 065 XX</b>	1 pcs
14	Screw set complete	<b>A 960 890 NU</b>	1 Set	30	Extension kit 20mm	<b>A 960 704 NU</b>	1 Set
15	Plug with o-ring				Extension kit 40mm	<b>A 962 476 NU</b>	1 Set
16	Low noise insert	<b>A 960 891 NU</b>	1 pcs	31	Distance frame 20mm	<b>A 960 705 XX</b>	1 pcs
				32	Non-return valve + ring	<b>A 962 866 NU</b>	1 Set

**Melange**