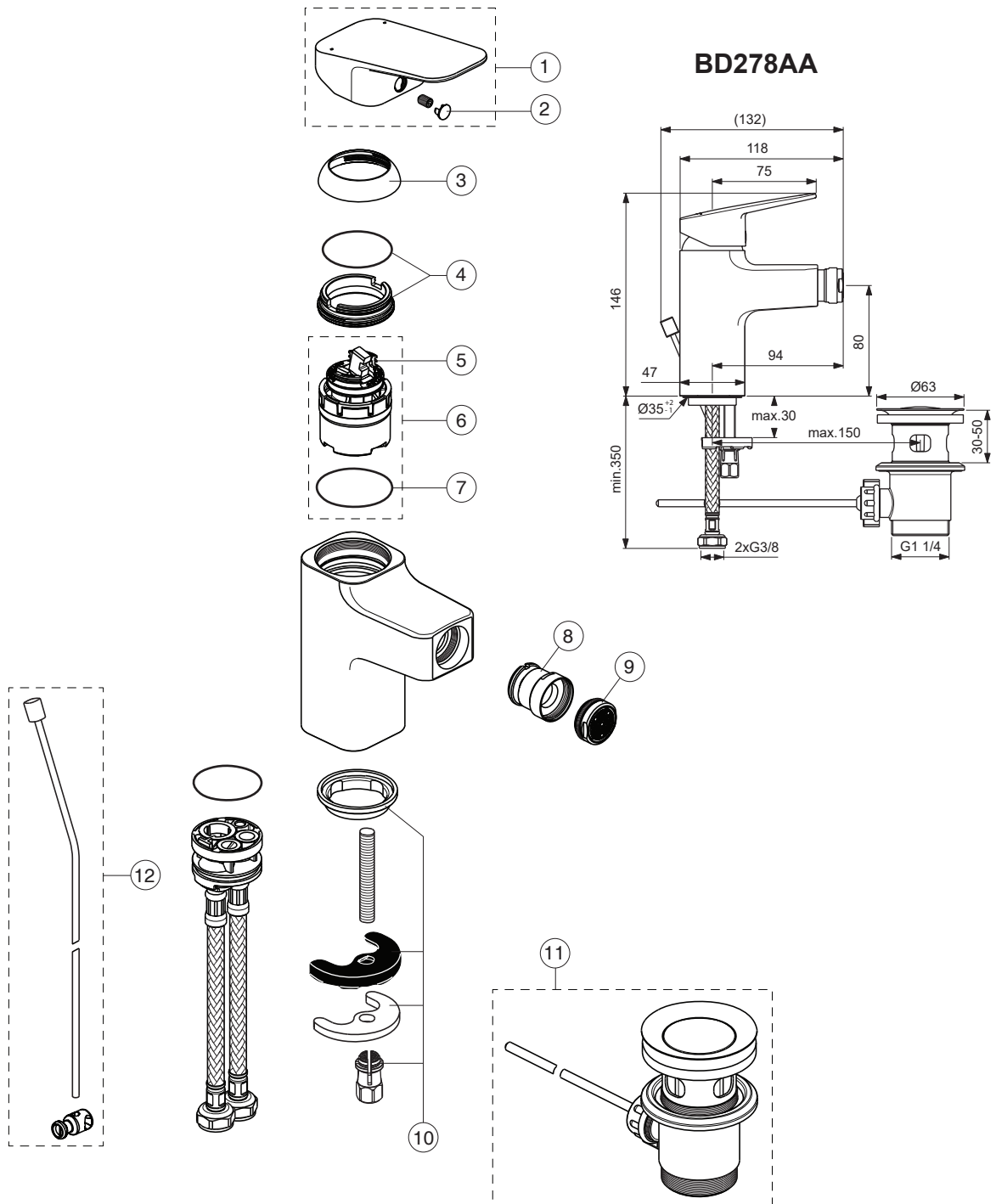




CERAPLAN

Ideal Standard

Produced from: Jan.2024



Pos.	Signify	Spare parts-Nr.	Quantity	Pos.	Signify	Spare parts-Nr.	Quantity
1	Lever,w/logo	B961716AA	1 Set				
2	Cap decorative	B960473AA	1 Pcs.				
3	Rosette M38x1.5	B961438AA	1 Pcs.				
4	Screw M41x1.5/M38x1.5	B961374NU	1 Set				
5	Hot limit stop	A861181NU	1 Pcs.				
6	Cartridge Ø38mm	A861156NU*	1 Pcs.				
7	O-Ring Ø38x2.5	E960059NU*	1 Set				
8	Ball joint M24x1	A960063AA	1 Pcs.				
9	Perlator M24x1-3.8 L/min	B961946AA	1 Pcs.				
10	Connecting set	B961726NU	1 Set				
11	Pop-up drain ass.	A962991AA	1 Pcs.				
12	Pull-up rod-compl.	B961119AA	1 Set				

*Universal set (not all parts needed)

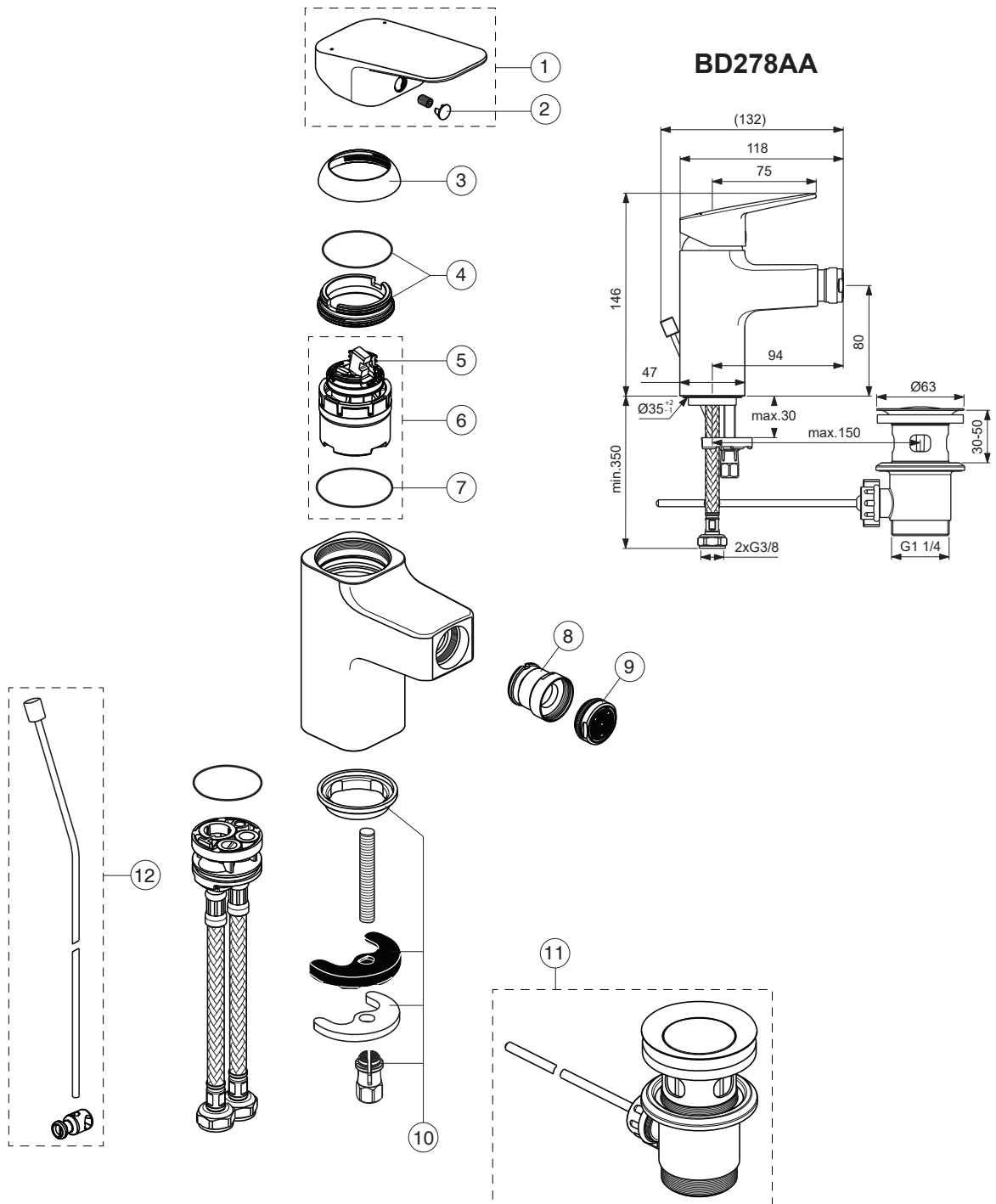
12.2024



CERAPLAN

Ideal Standard

Produced from: Sept.2023



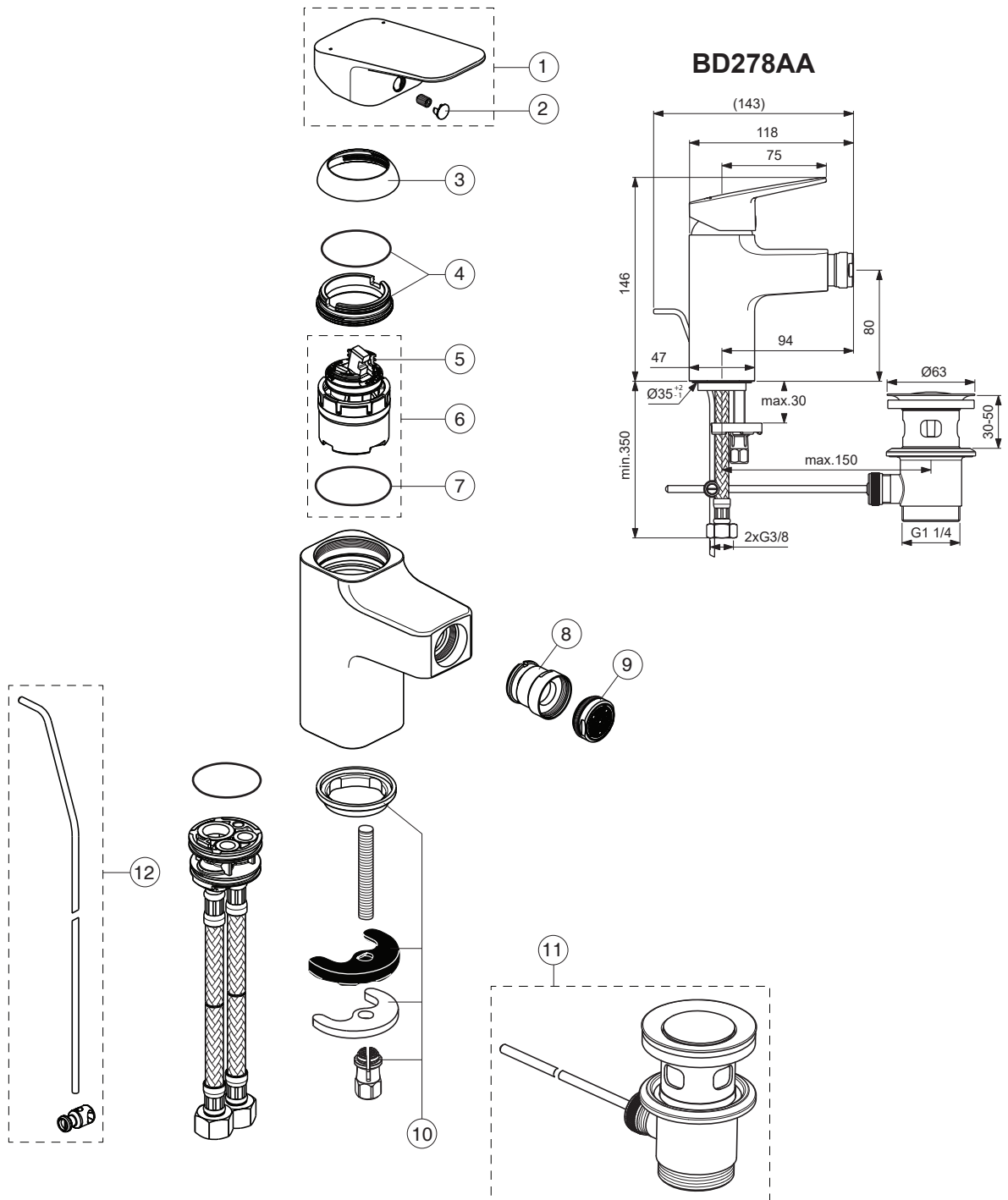
Pos.	Signify	Spare parts-Nr.	Quantity	Pos.	Signify	Spare parts-Nr.	Quantity
1	Lever,w/logo	B961716AA	1 Set				
2	Cap decorative	B960473AA	1 Pcs.				
3	Rosette M38x1.5	B961438AA	1 Pcs.				
4	Screw M41x1.5/M38x1.5	B961374NU	1 Set				
5	Hot limit stop	A861181NU	1 Pcs.				
6	Cartridge Ø38mm	A861156NU*	1 Pcs.				
7	O-Ring Ø38x2.5	E960059NU*	1 Set				
8	Ball joint M24x1	A960063AA	1 Pcs.				
9	Perlator M24x1-A - 5l/min	B961383AA	1 Pcs.				
10	Connecting set	B961726NU	1 Set				
11	Pop-up drain ass.	A962991AA	1 Pcs.				
12	Pull-up rod-compl.	B961119AA	1 Set				



CERAPLAN

Ideal Standard

Produced from: Nov.2021



Pos.	Signify	Spare parts-Nr.	Quantity	Pos.	Signify	Spare parts-Nr.	Quantity
1	Lever,w/logo	B961716AA	1 Set				
2	Cap decorative	B960473AA	1 Pcs.				
3	Rosette M38x1.5	B961438AA	1 Pcs.				
4	Screw M4x1.5/M38x1.5	B961374NU	1 Set				
5	Hot limit stop	A861181NU	1 Pcs.				
6	Cartridge Ø38mm	A861156NU*	1 Pcs.				
7	O-Ring Ø38x2.5	E960059NU*	1 Set				
8	Ball joint M24x1	A960063AA	1 Pcs.				
9	Perlator M24x1-A - 5l/min	B961383AA	1 Pcs.				
10	Connecting set	B961726NU	1 Set				
11	Pop-up drain ass.	A962991AA	1 Pcs.				
12	Pull-up rod-compl.	B960900AA	1 Set				

*Universal set (not all parts needed)

11.2021