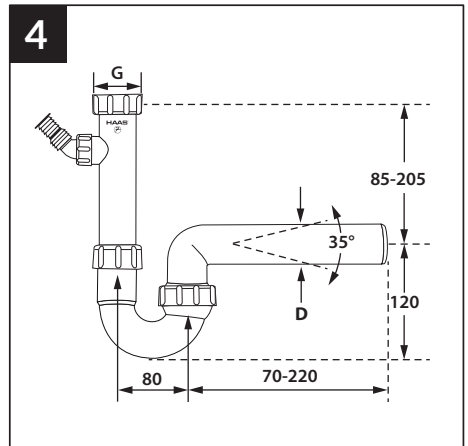
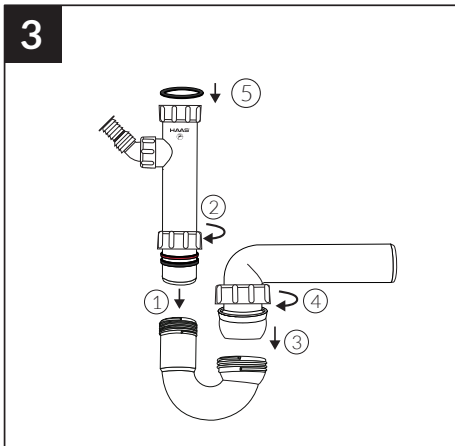
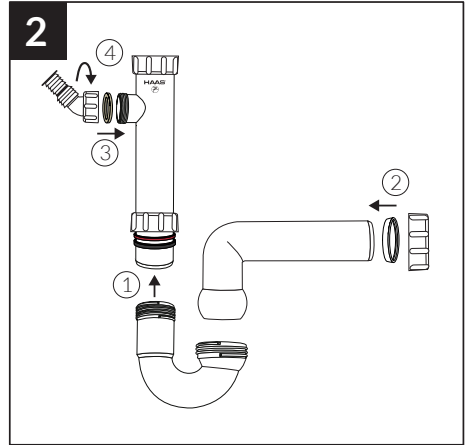
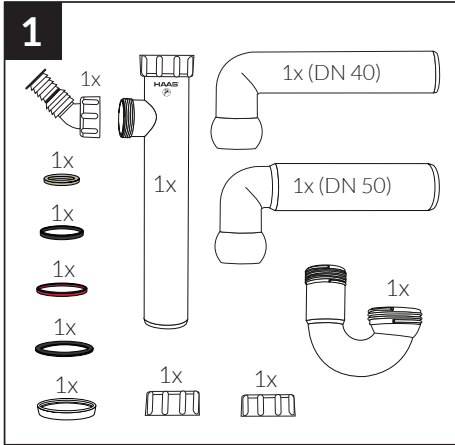




# DN 40/50



G = 1 1/2"