



WC-Sitz O.novo Kids

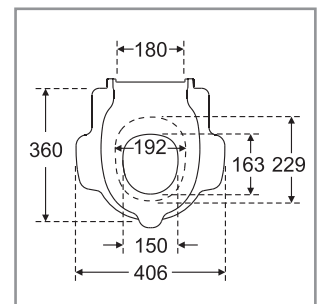
Model

8M1161 O.novo Kids toilet seat consisting of seat big and seat small, version antibac, incl. 9223 26 61 hinges

Product Description

O.novo Kids seat big made of colour ingrained duroplast, seat small made of thermoplastic:

- incl. hinges stainless steel
- centre distance: 180 mm
- load of seat big: 240 kg
- load of seat small: 240 kg
- 10 year guarantee



Colour Programme

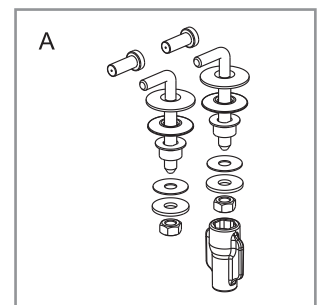
T1 white alpin, antibac
9B colored (seat big blue, seat small yellow), antibac

Hinge Finish

Stainless steel

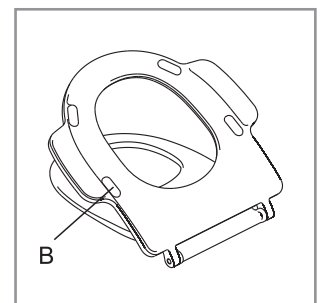
Spare Parts

- A) 9223 26 61 hinges stainless steel
- B) 9223 24 00 Buffers for seat



Cleaning Instructions

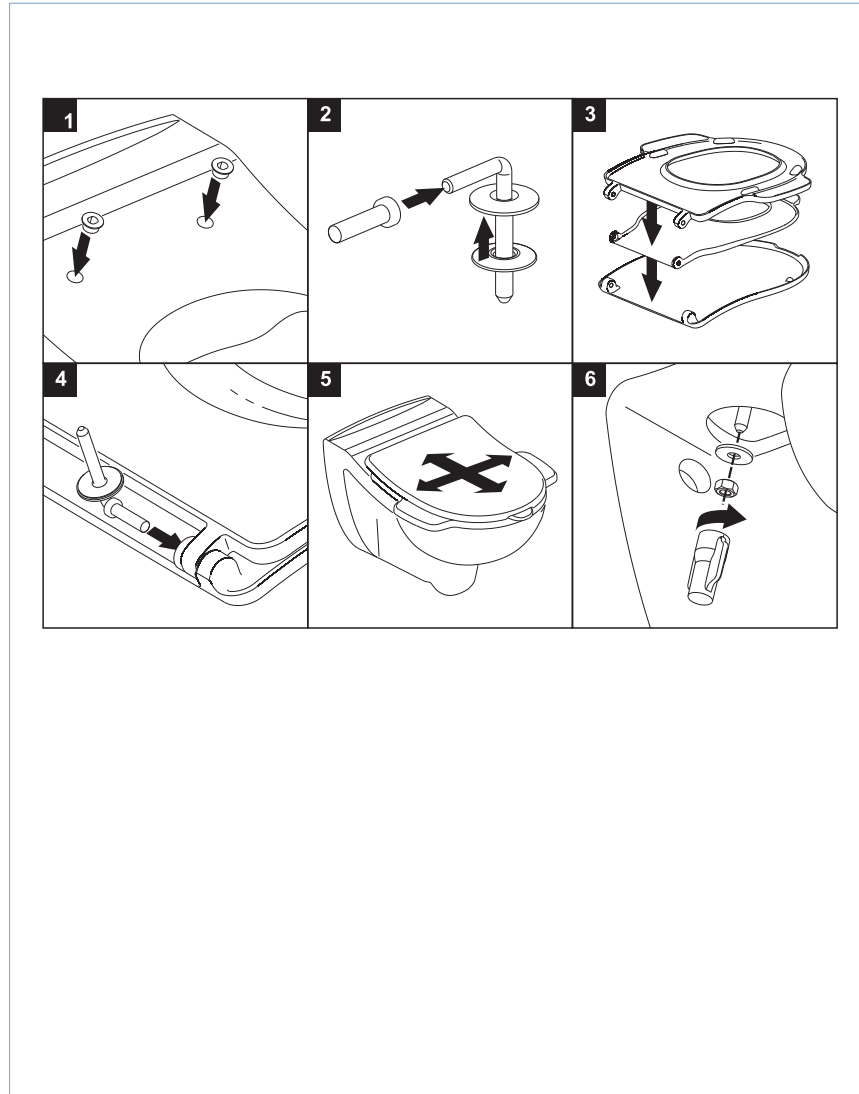
Use a mild soap solution. Seat and hinge should not be left damp, but be dried with a soft cloth. When using abrasive, corrosive or chlorine based cleaners for the bowl, avoid contact with seat and hinge as it may lead to damages or flash rust. Therefore, when cleaning the bowl, make sure that seat and cover are in an upright position until all the cleaner has been flushed away.



Villeroy & Boch

1748

Instruction manual



Material Description

SEAT BIG: The material is colour ingrained duroplast (UF A 10 = urea formaldehyde) that contains no environmentally hazardous substances. UF plastic comprises 67 % urea formaldehyde resin, 28 % cellulose, as well as 5 % minerals, pigments, lubricants and moisture content. The raw material from the supplier contains less than 0,03 % formaldehyde after a special curing process. The smooth, non-porous surface with version antibac (BiozidVO (EU) Nr. 528/2012) is ideal for maintaining hygiene conditions.

SEAT SMALL: Polypropylen, antibacterial. The smooth, non-porous surface with version antibac (BiozidVO (EU) Nr. 528/2012) is ideal for maintaining hygiene conditions.

BUFFERS: TPE (Thermoplastic Elastomer)

MOUNT/HINGE: stainless steel

Guarantee

The guarantee includes faults or defects in the material of our products within a periode of 10 years. Products subject to minor technical modifications and design deviations. Errors and omissions excepted.