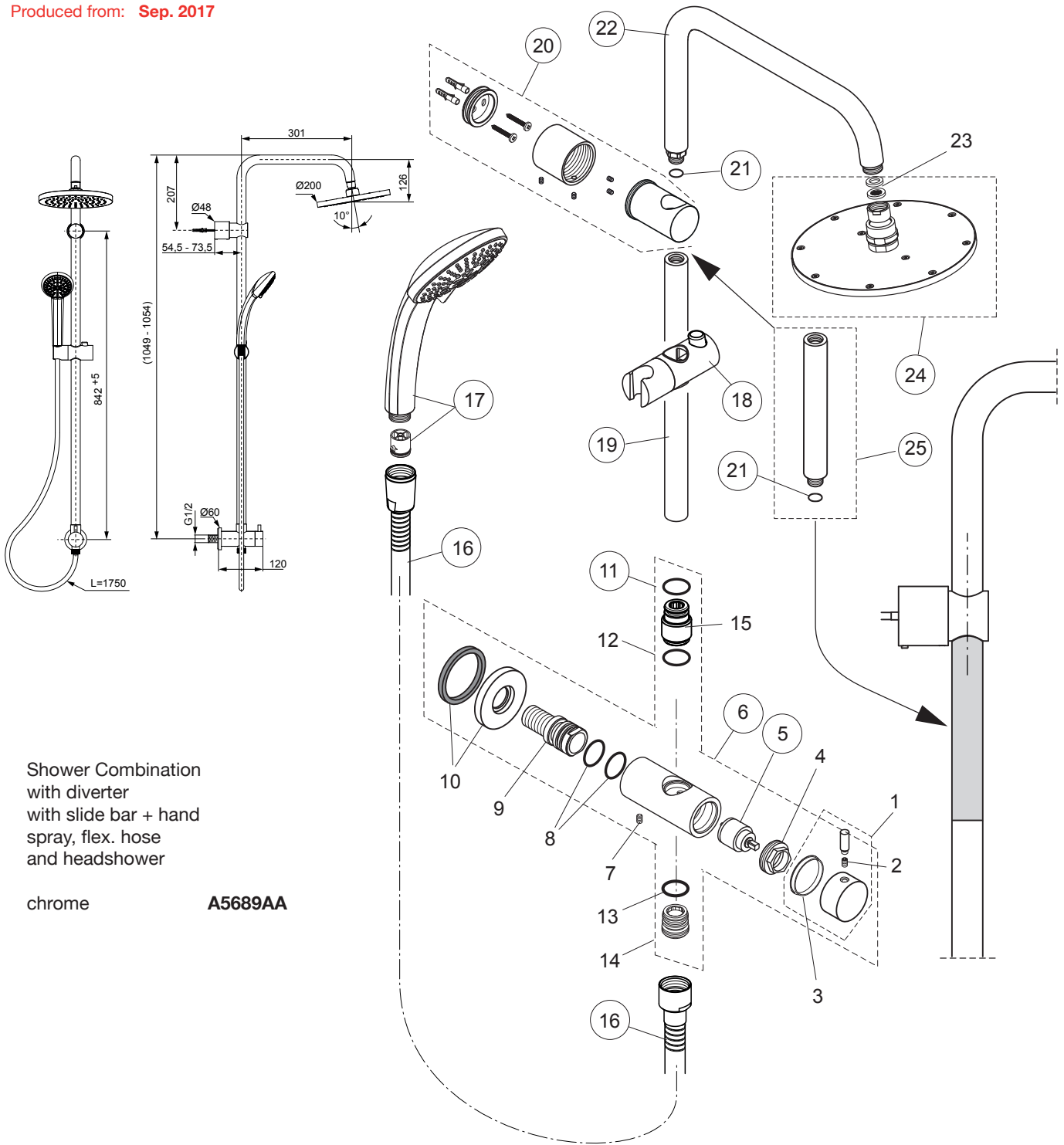


Produced from: **Sep. 2017**



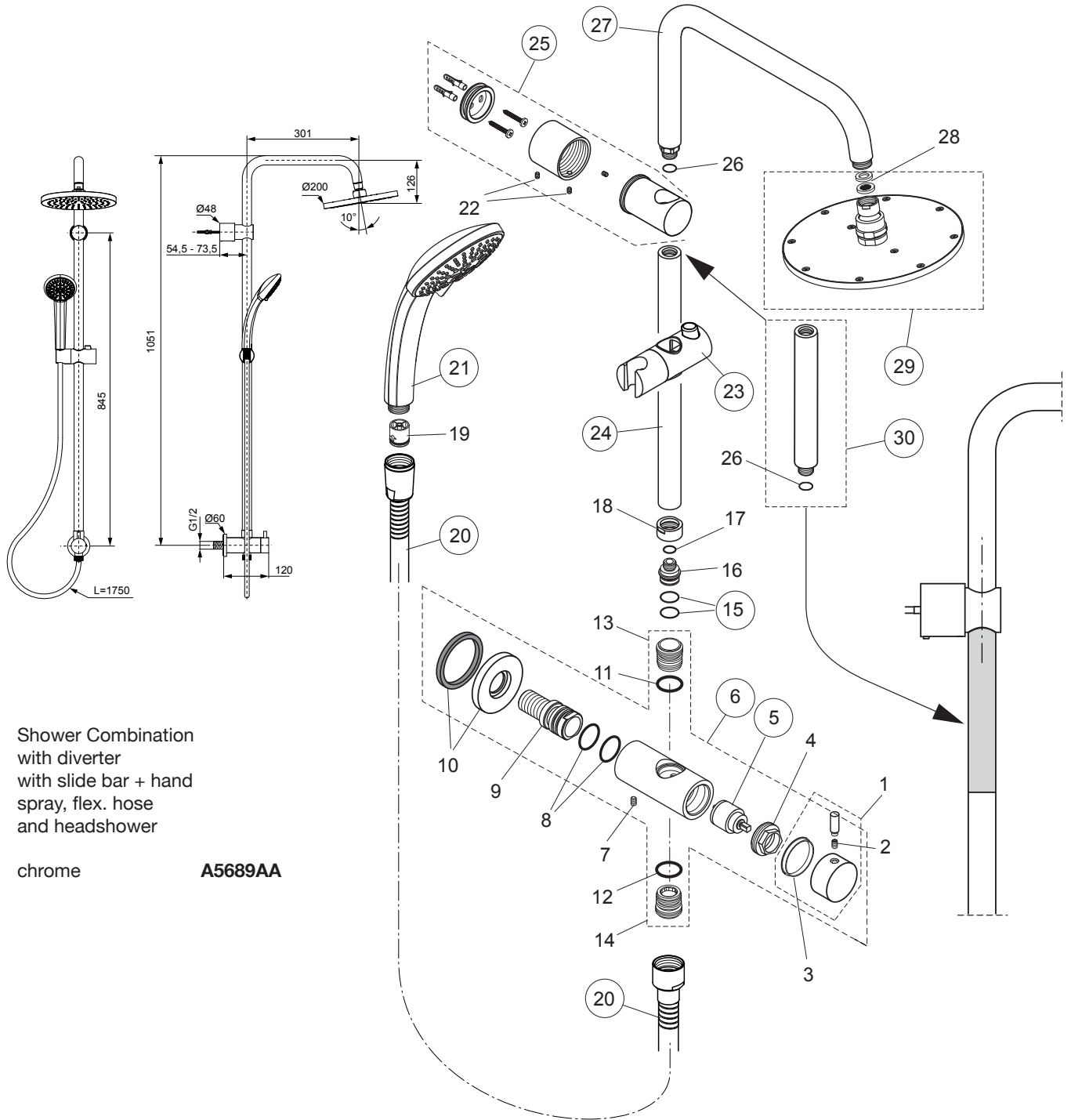
Shower Combination
with diverter
with slide bar + hand
spray, flex. hose
and headshower

chrome

A5689AA

Pos.	Description	Part-Number	Qty.	Pos.	Description	Part-Number	Qty.
1	Handle f. diverter			16	Flex. hose G1/2 - 1750mm	BE 175 AA	1 pcs
2	Thread pin			17	Handspray 3Func. Ø100 8L/Min	B 9403 AA	1 pcs
3	Glide ring / spacer			18	Slider & holder f. handshr.	A 860 807 AA	1 Set
4	Clamping nut			19	Pipe	A 861 143 AA	1 pcs
5	Cartridge (diverter)	A 860 971 NU	1 pcs	20	Wall fixation complete	A 860 806 AA	1 Set
6	Wall connector cpl.	A 861 221 AA	1 Set	21	O - ring	A 961 332 NU	2 pcs
7	Thread pin			22	Pipe (bend)	F 961 146 AA	1 pcs
8	O - ring set			23	washer set		
9	Water connector			24	Headshower cpl. Ø200mm	B 9442 AA	1 pcs
10	Escutcheon			25	Extension kit 150mm long	A 860 873 AA	1 pcs
11	O - ring Ø 18 x 2	A 962 869 NU	2 pcs				
12	O - ring						
13	O - ring						
14	Nipple outlet handspray						
15	Nipple outlet headspray						

Produced from: Aug. 2010 - Aug.2017



Shower Combination
with diverter
with slide bar + hand
spray, flex. hose
and headshower

chrome

A5689AA

Pos.	Description	Part-Number	Qty.	Pos.	Description	Part-Number	Qty.
1	Handle f. diverter			16	Connector nipple		
2	Thread pin			17	O - ring		
3	Glide ring / spacer			18	Pipe adapter		
4	Clamping nut			19	Flow limiter 8ltr/min DW15		
5	Cartridge (diverter)	A 860 971 NU	1 pcs	20	Flex. hose G1/2 - 1750mm	A 4109 AA	1 pcs
6	Wall connector cpl.	A 860 808 AA	1 Set	21	Handspray 3Func. Ø100	B 9403 AA	1 pcs
7	Thread pin			22	Thread pin - set		
8	O - ring set			23	Slider & holder f. handshr.	A 860 807 AA	1 Set
9	Water connector			24	Pipe	A 861 145 AA	1 pcs
10	Escutcheon			25	Wall fixation complete	A 860 806 AA	1 Set
11	O - ring			26	O - ring		
12	O - ring			27	Pipe (bend)	F 961 146 AA	1pcs
13	Nipple outlet headspray			28	Washer set		
14	Nipple outlet handspray			29	Headshower cpl. Ø200mm	B 9442 AA	1 pcs
15	O - ring Ø 18 x 2	A 962 869 NU	2 pcs	30	Extension kit 150mm long	A 860 873 AA	1 pcs