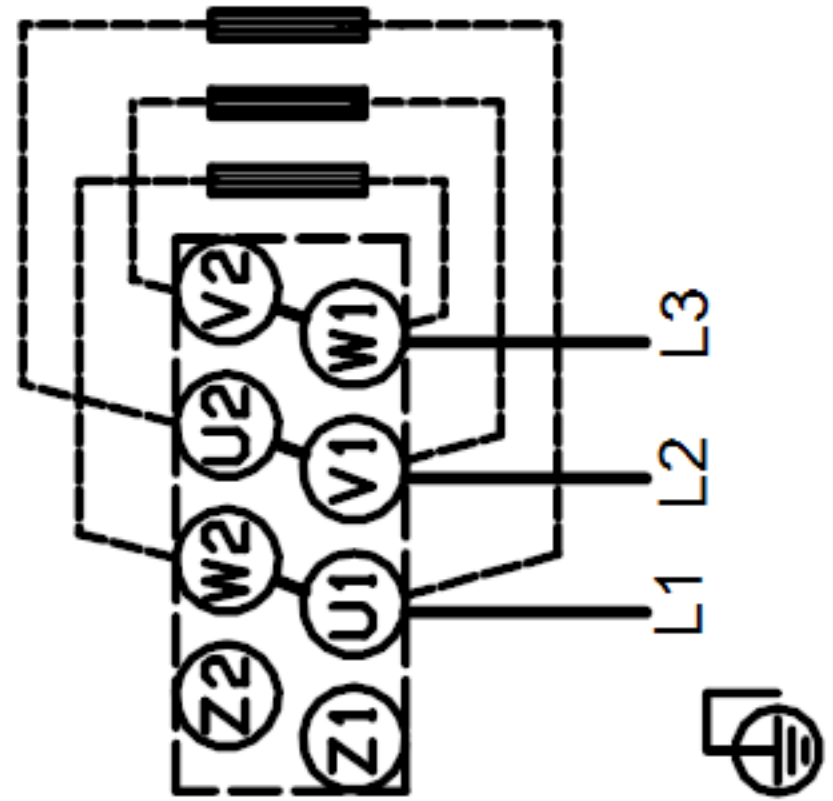




LOW VOLTAGE
DIRECTION OF ROTATION



HIGH VOLTAGE
DIRECTION OF ROTATION

