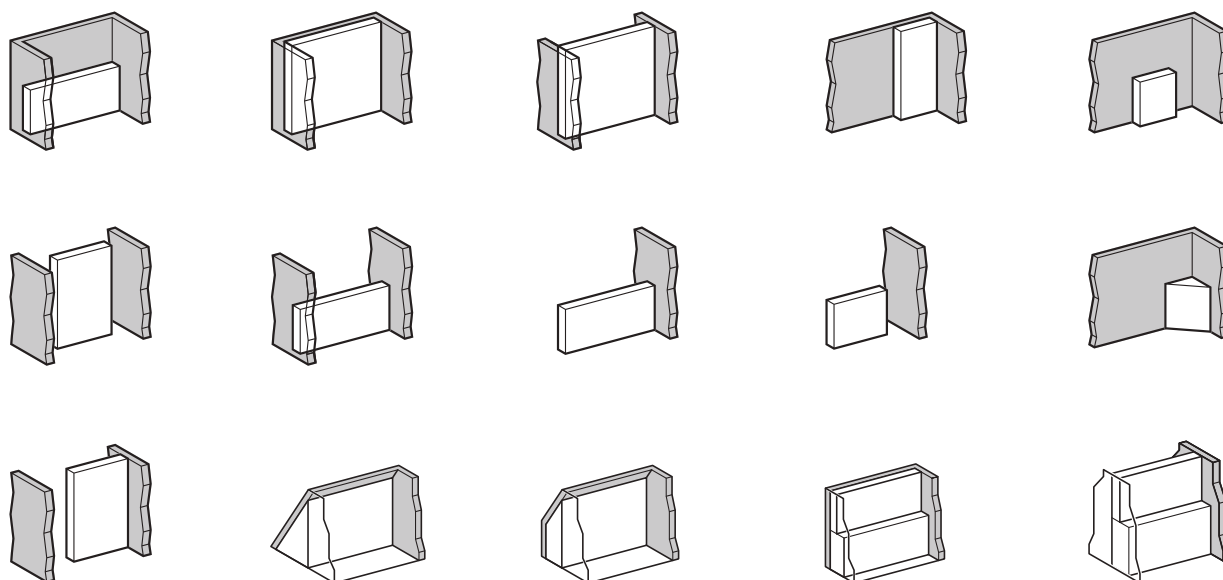




GIS Installation System

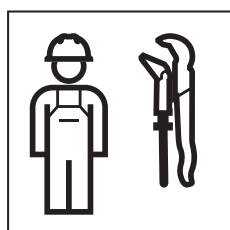


INSTALLATION MANUAL

MONTAGEANLEITUNG
INSTRUCTIONS DE MONTAGE
ISTRUZIONI PER IL MONTAGGIO



964.124.00.0(05)

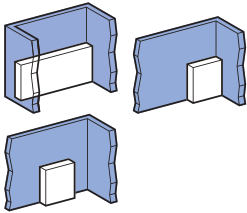




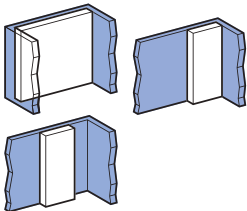
→ **4**



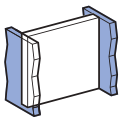
→ **13**



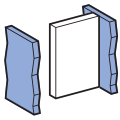
→ **1** 18



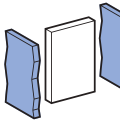
→ **3** 20



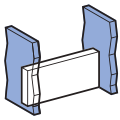
→ **5** 22



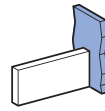
→ **7** 24



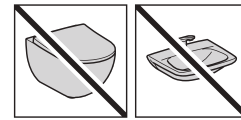
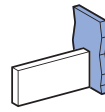
→ **9** 26



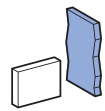
→ **11** 28



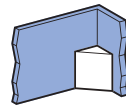
→ **13** 30



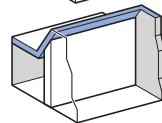
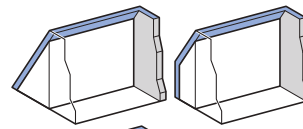
→ **14** 31



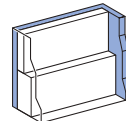
→ **15** 32



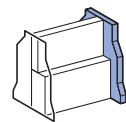
→ **16** 33



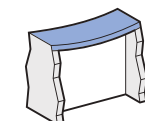
→ **17** 34



→ **18** 35



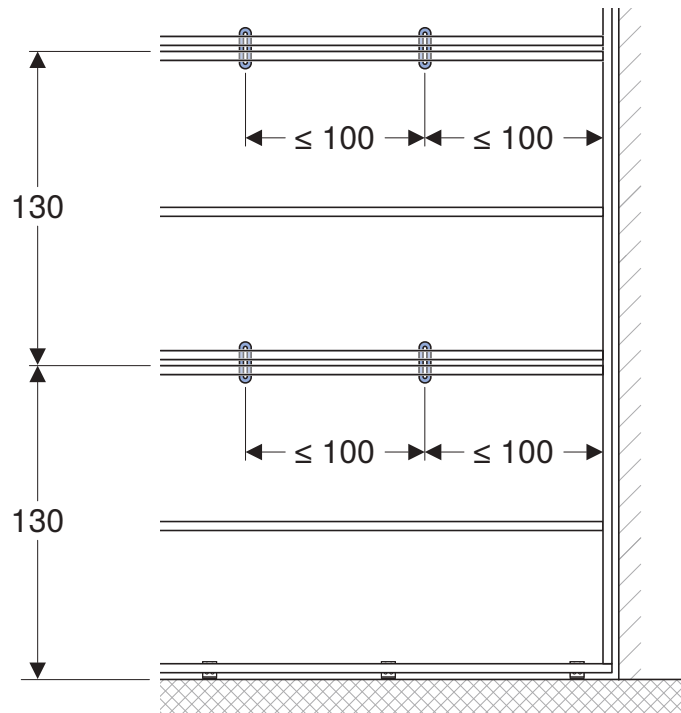
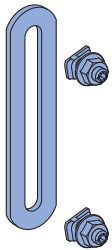
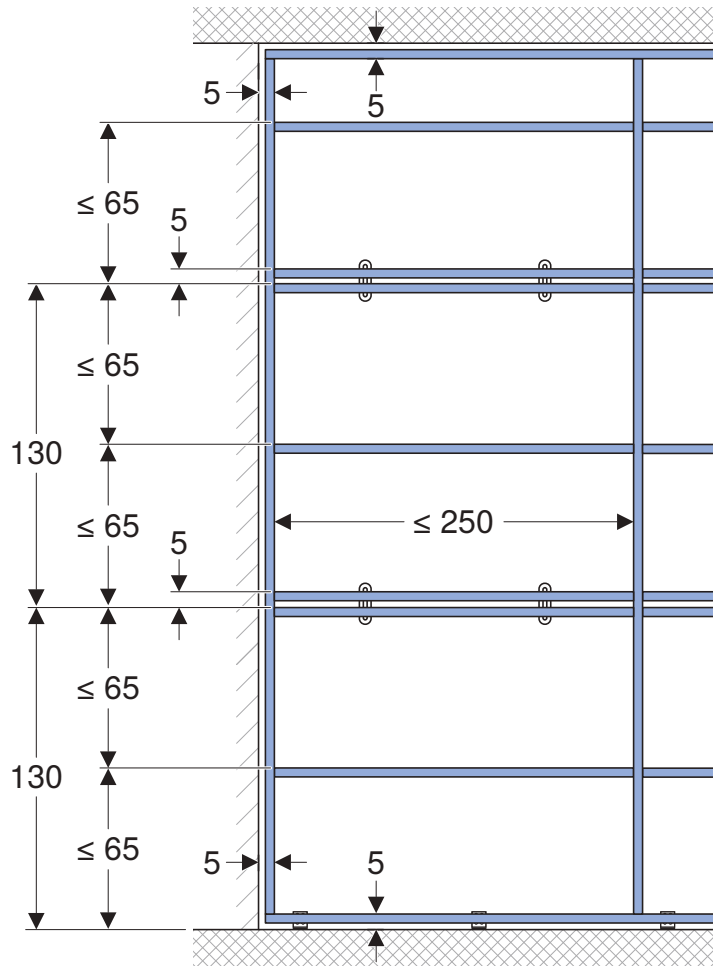
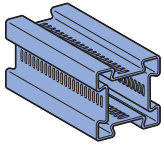
→ **19** 36

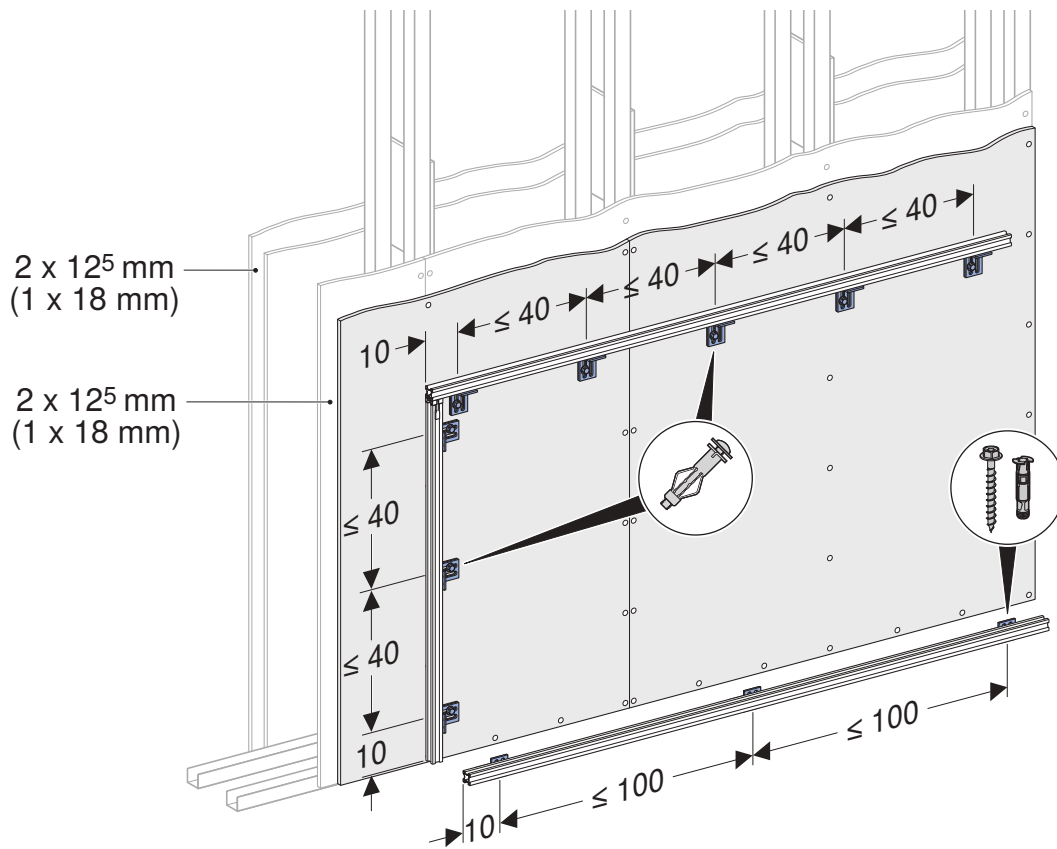
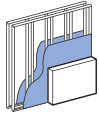
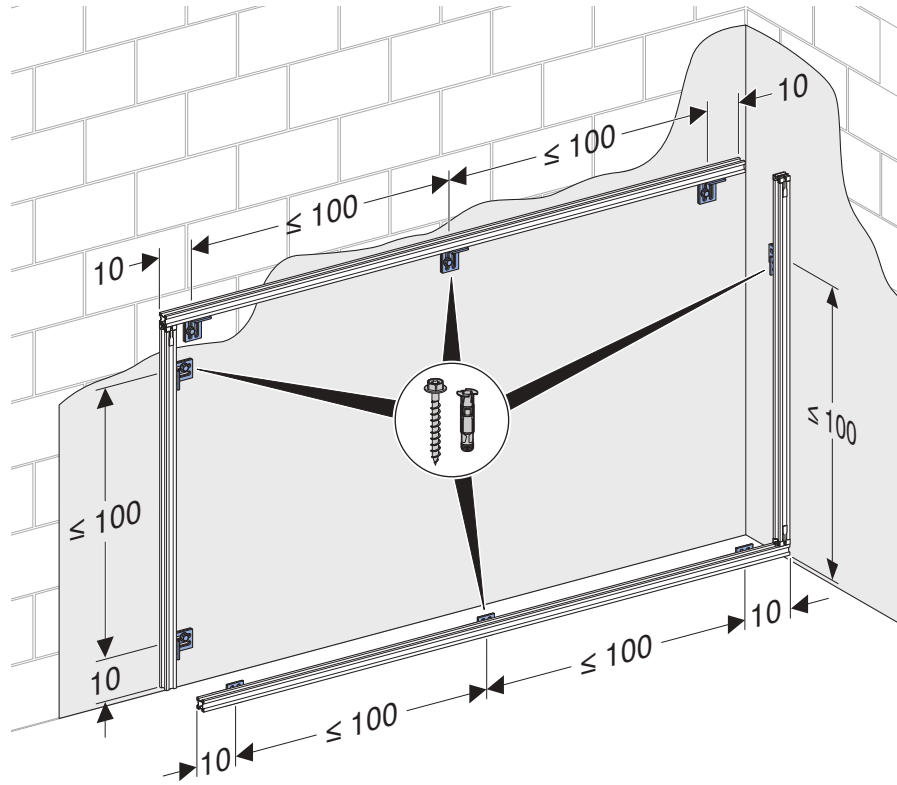


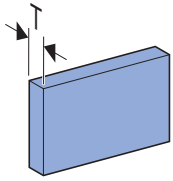
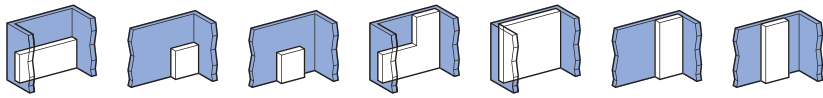
→ **20** 37



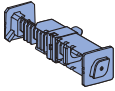
	≤ 600	∞	10–45
	≤ 360	∞	13–45
	≤ 450	≤ 350	13–45
	≤ 600	∞	25–44
	≤ 360	≤ 250	20–44
	≤ 600	≤ 500	25–44
	≤ 360	≤ 250	13–45
	≤ 360	≤ 250	20–44
	≤ 600	≤ 500	25–44
	≤ 360	≤ 250	13–45
	≤ 360	≤ 250	13–45
	≤ 600	≤ 500	25–44
	≤ 220	≤ 500	25–44
		≤ 200	≤ 100
	≤ 220	≤ 500	25–44



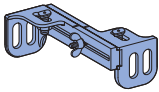




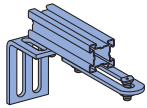
T = 13-24



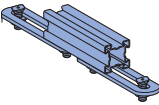
T = 10-31



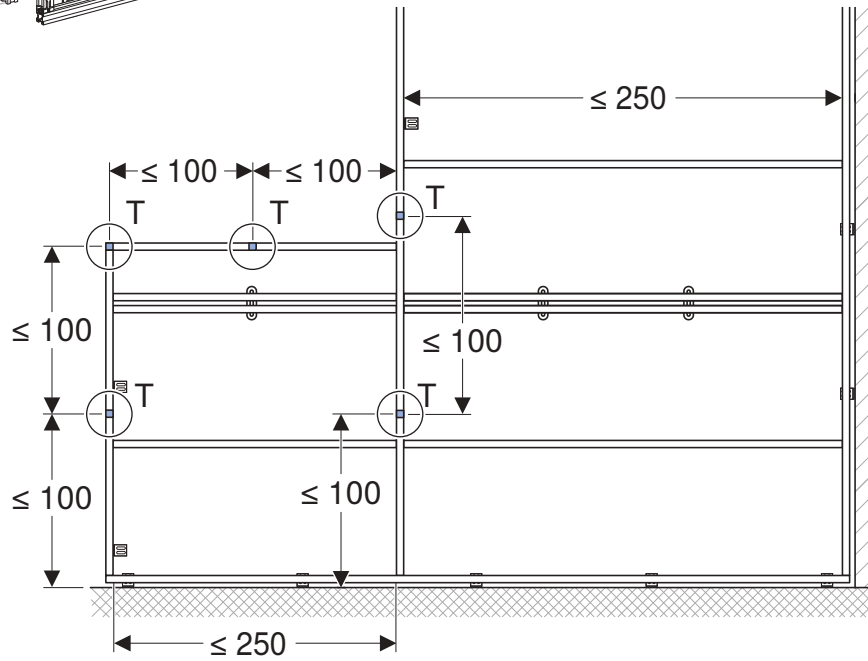
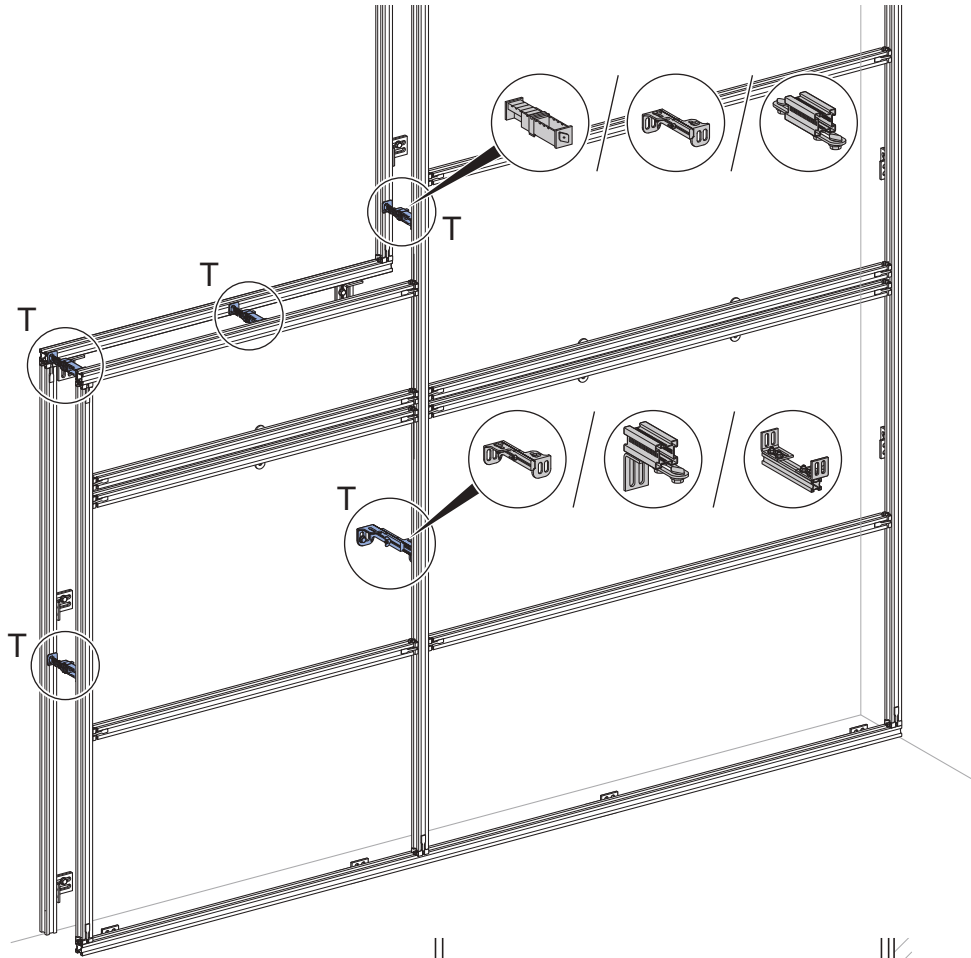
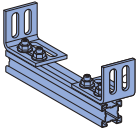
T = 31-45

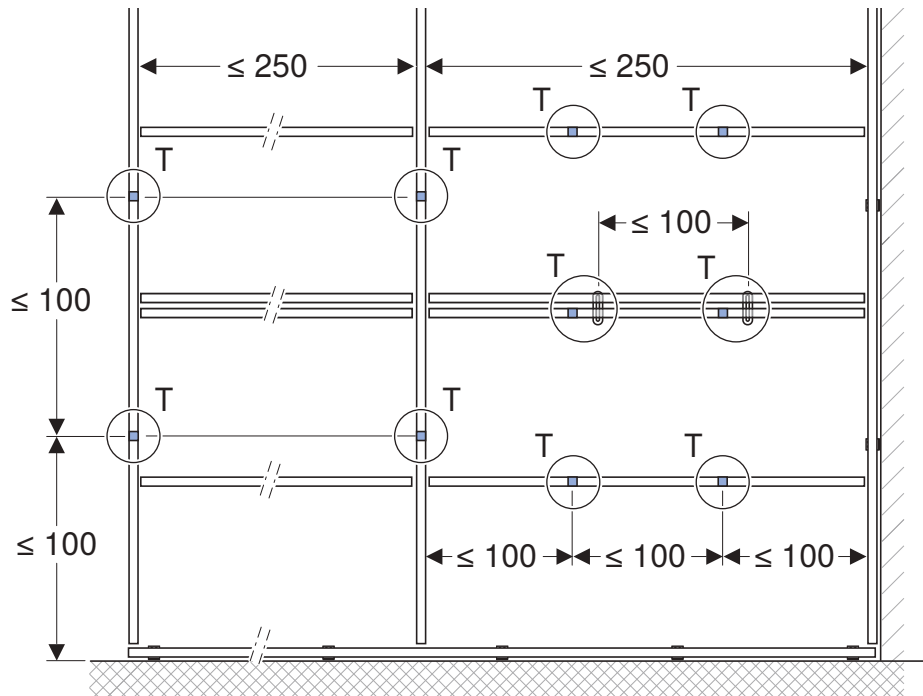
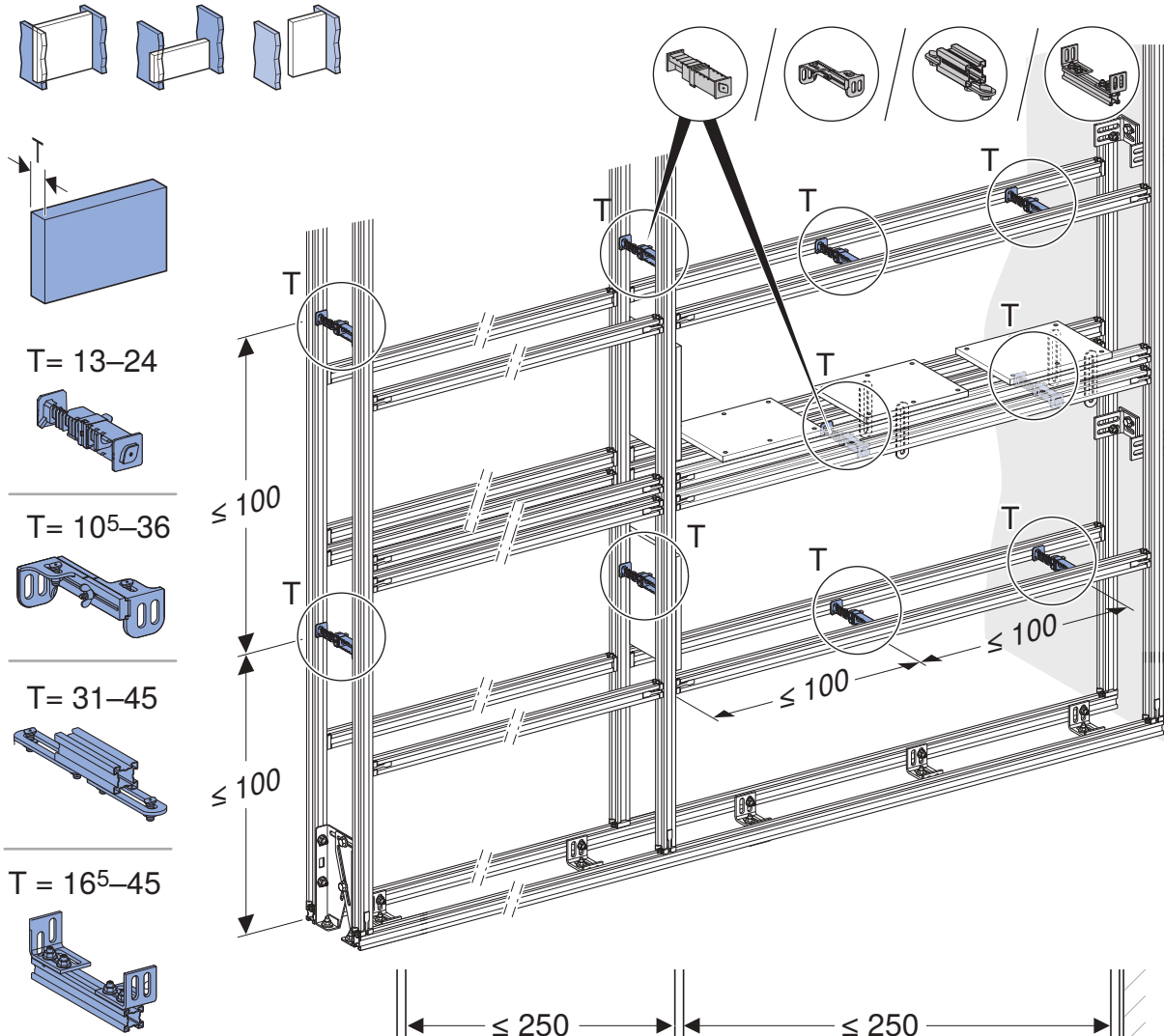


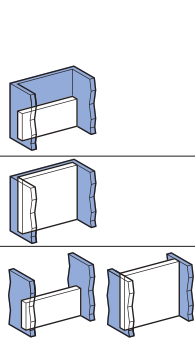
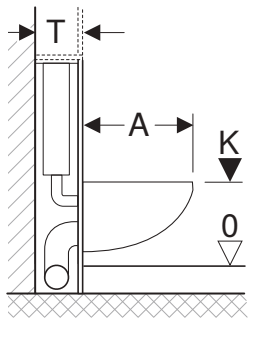
T = 31-45



T = 16⁵-45

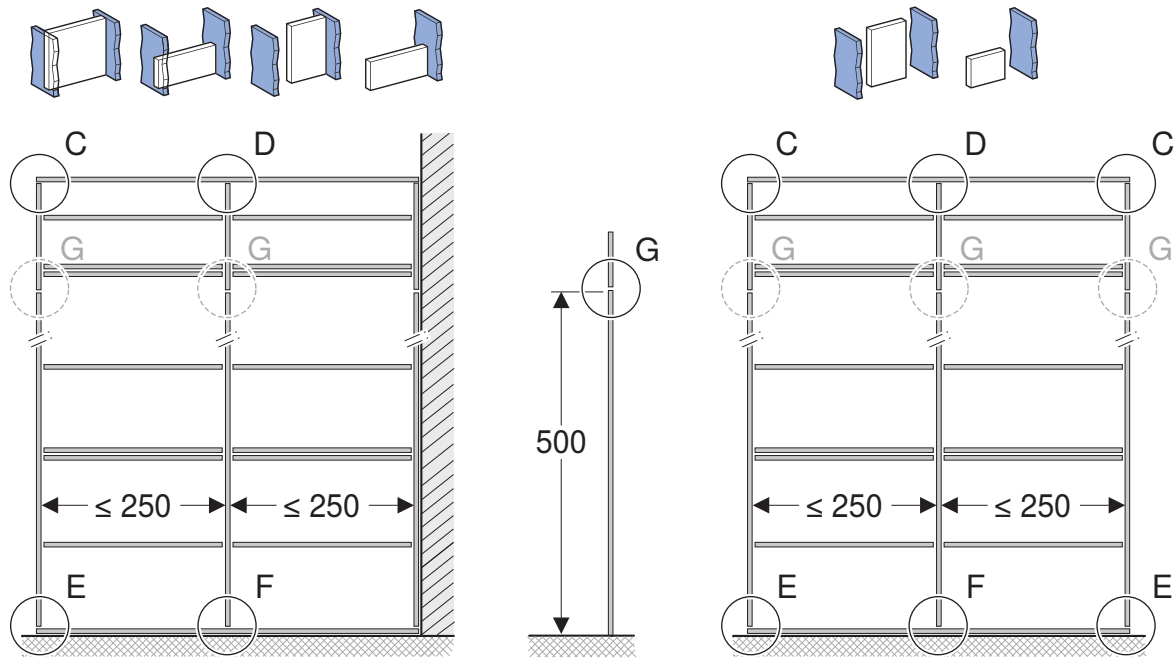


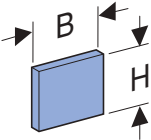





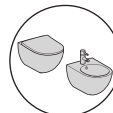
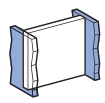
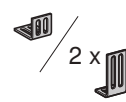
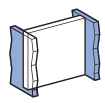



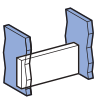
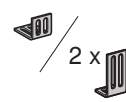
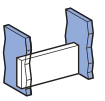




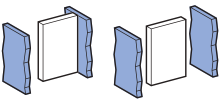

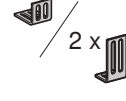
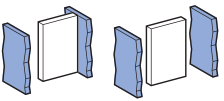




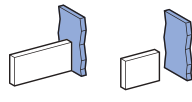







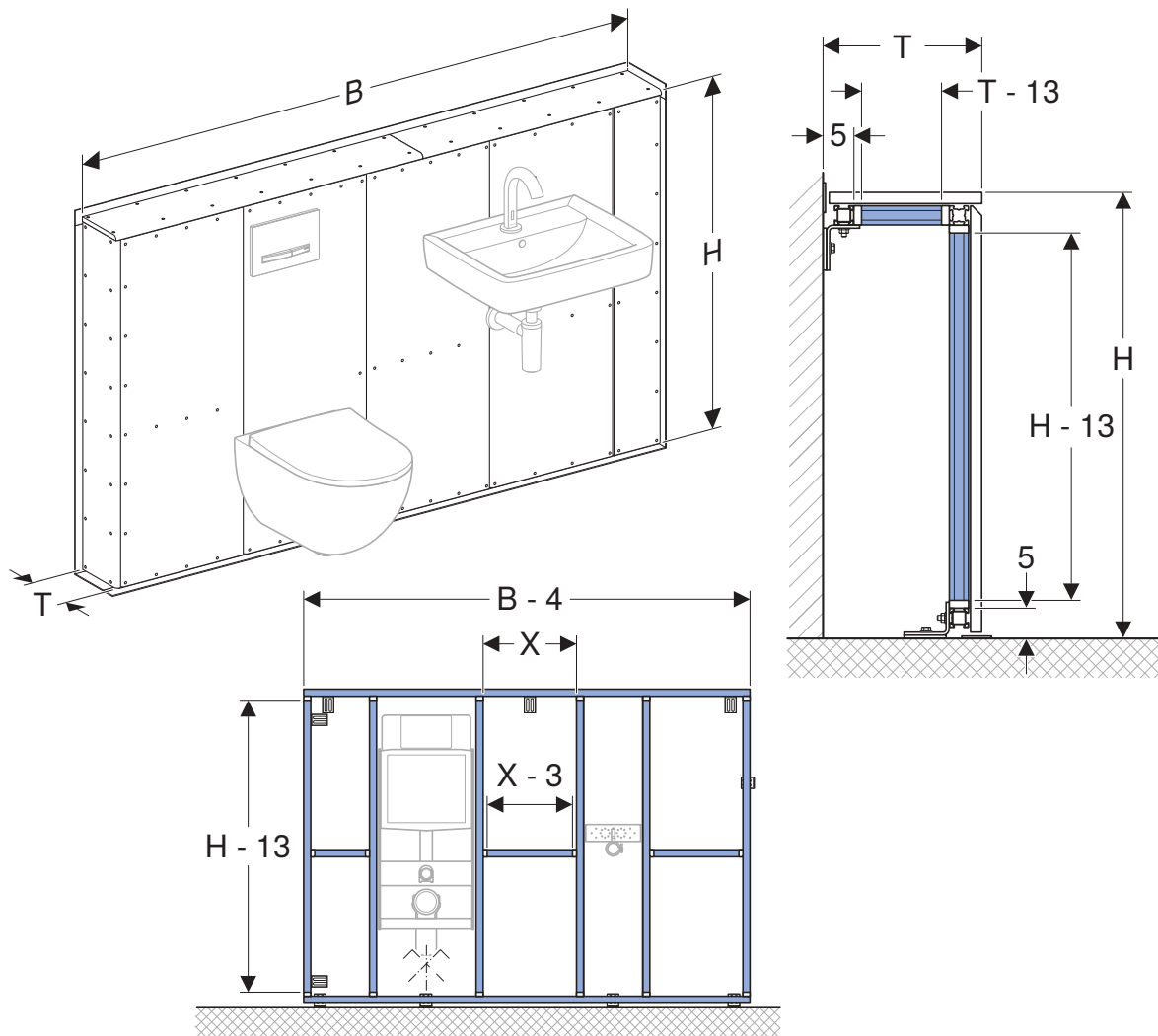
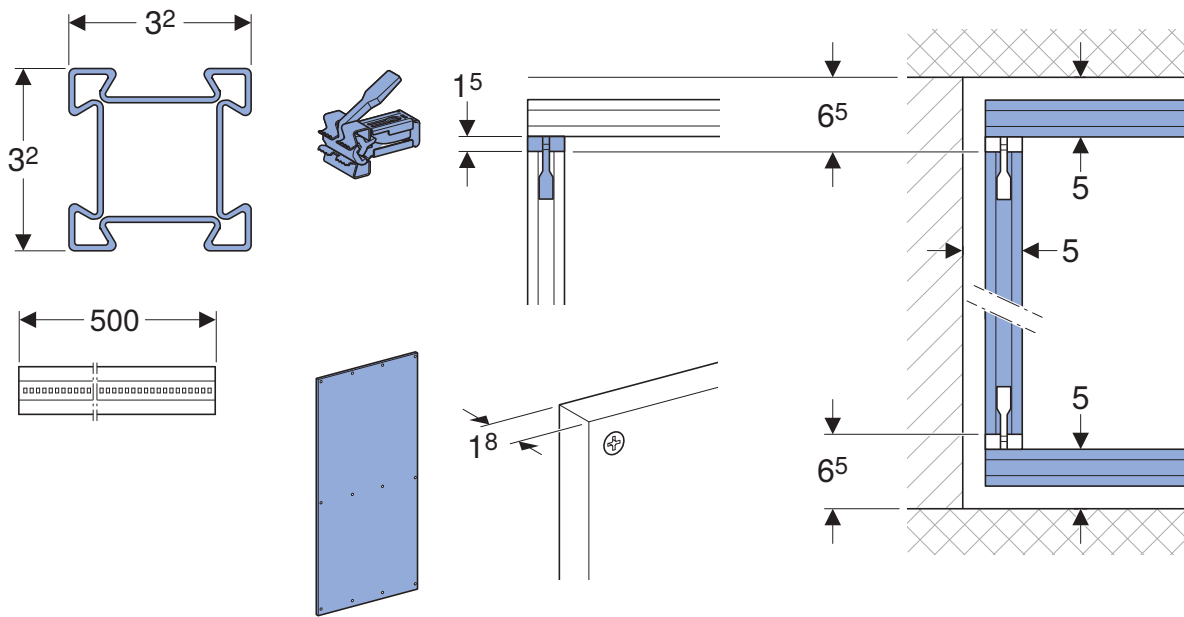


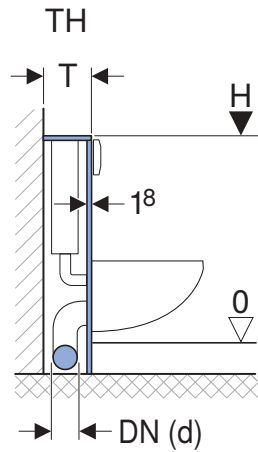
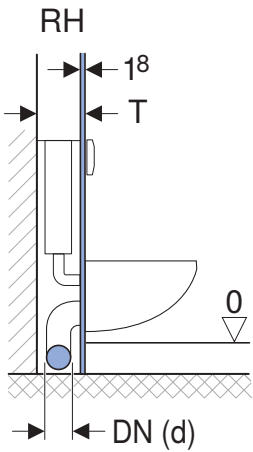
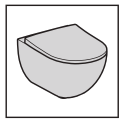
T ₁	T ₂	T ₃	T ₄	V
16 ⁵ -24	24 ⁵ -36	36 ⁵ -45	16 ⁵ -45	-
16 ⁵ -24	18 ⁵ -31	31 ⁵ -45	16 ⁵ -45	-
21 ⁵ -24	24 ⁵ -36	36 ⁵ -45	21 ⁵ -45	✓

	A ≤ 62 K = 41 ⁺² ₋₁	A ≤ 62 K = 44-52	A ≤ 70 K = 44-52

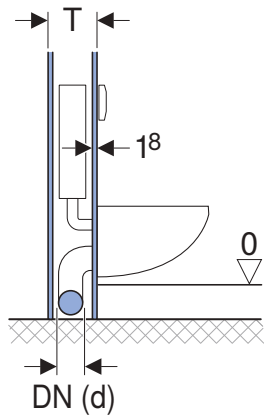


 B H					 $H > 500$	
 $H \leq 360$ $B = \infty$	-	-	-	-	-	 / 2 x
 $H \leq 600$ $B = \infty$	-	-	-	2 x 		2 x 
 $H \leq 360$ $B \leq 250$	-	-	-	-	-	 / 2 x
 $H \leq 600$ $B \leq 500$	-	2 x 	-	2 x 		2 x 
 $H \leq 360$ $B \leq 250$	-	-		-	-	 / 2 x
 $H \leq 600$ $B \leq 500$	-	-	2 x 	2 x 		2 x 
 $H \leq 220$ $B \leq 500$	2 x 	2 x 	2 x 	2 x 	-	2 x 

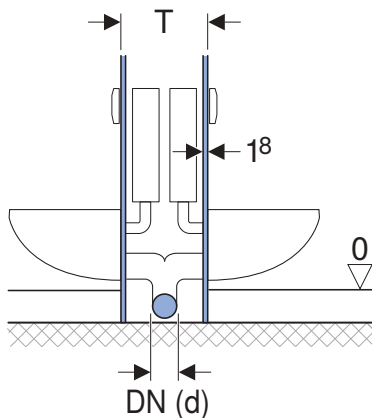




[cm]	T			H
	DN 50 (d 63) 56/63	DN 80 (d 90) 75/90	DN 100 (d 110) 110	
	-	16 ⁵	19 ⁵	≥ 114
	-	RH 16 ⁵ TH ← 18 ⁵ ↓ 22	RH 19 ⁵ TH ← 19 ⁵ ↓ 22	↓ 87-104 ← ≥ 87
	13	16	18	≥ 87
	13	16	18	≥ 114 ≥ 142



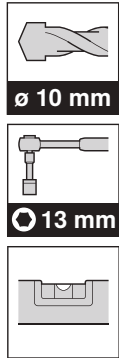
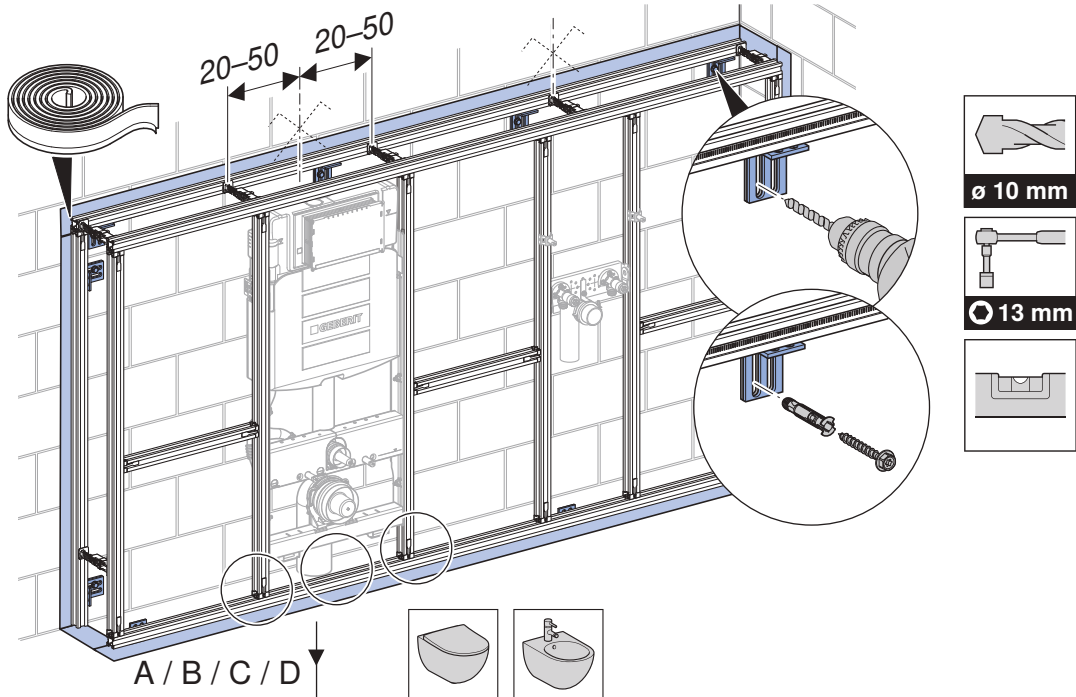
[cm]	T				
	DN 50 (d 63) 56/63	DN 80 (d 90) 75/90	DN 100 (d 110) 110	DN 80 (d 90) 75/90	DN 100 (d 110) 110
		21 ⁵	24 ⁵	25	27
		23 ⁵	24 ⁵	25	27
	18	21	23	25	27
	18	21	23	25	27



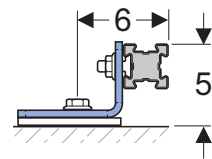
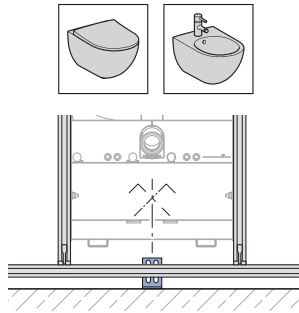
[cm]	T				
	DN 50 (d 63) 56/63	DN 80 (d 90) 75/90	DN 100 (d 110) 110	DN 80 (d 90) 75/90	DN 100 (d 110) 110
		29	31	29	31
		29	31	29	31
		24	24	25	27
		26	26	26	27
	18	21	22	25	27
	18	21	22	25	27



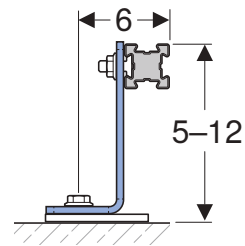
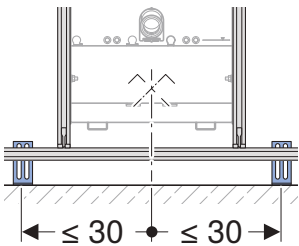
1



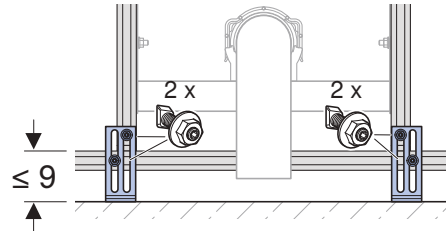
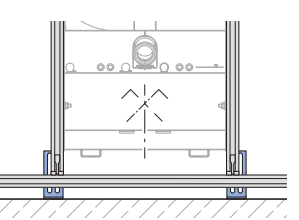
A
75 x 55



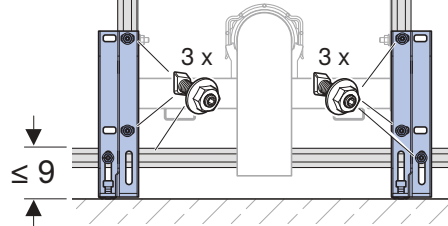
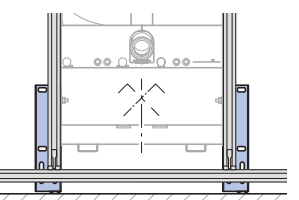
B
12 x 55



C
13 x 13

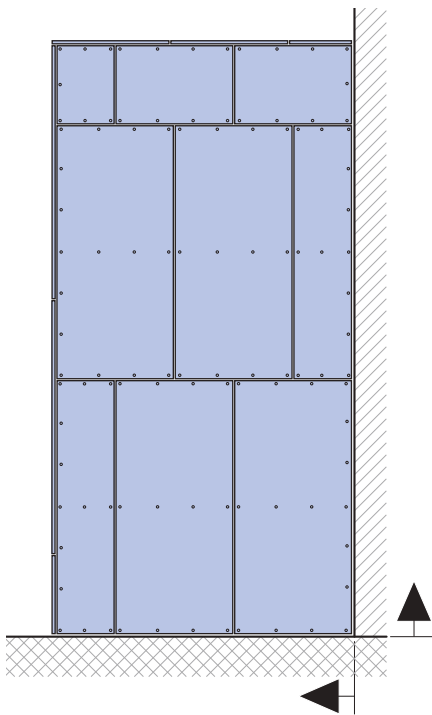
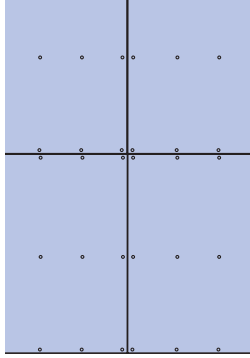
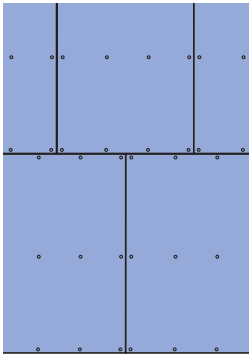


D
H > 360 / B > 250

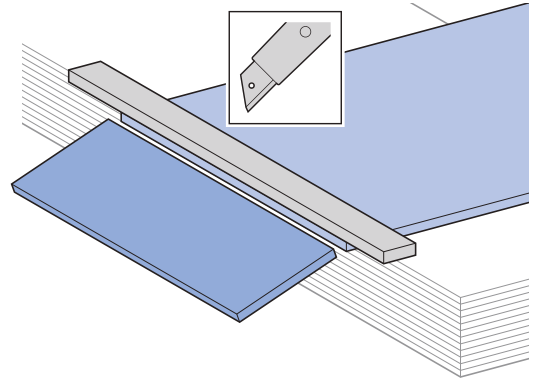


2

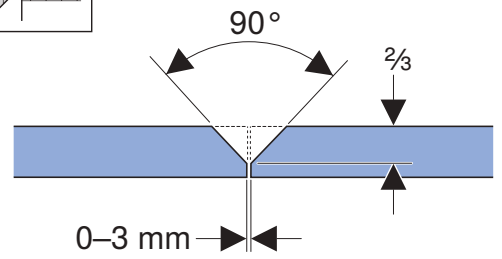
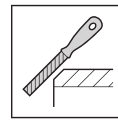
✓



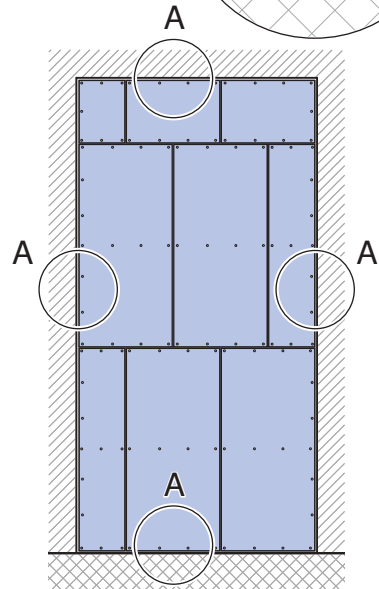
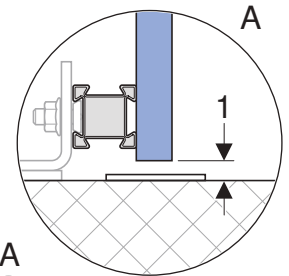
1



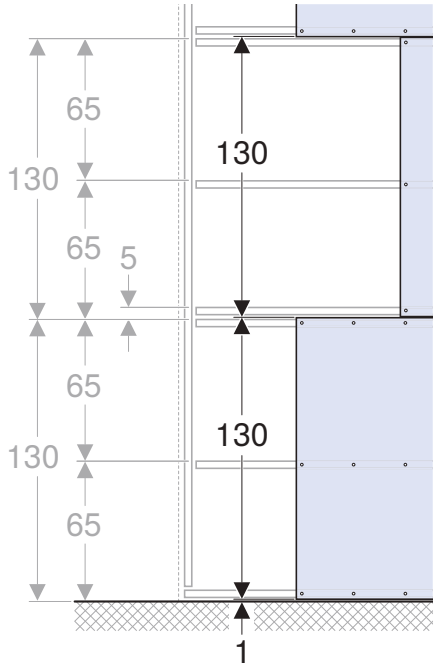
2



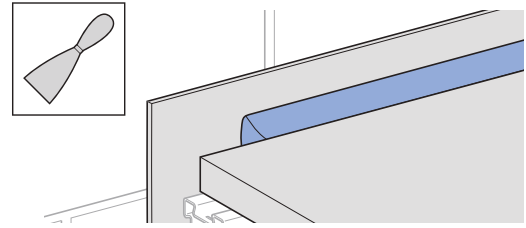
3



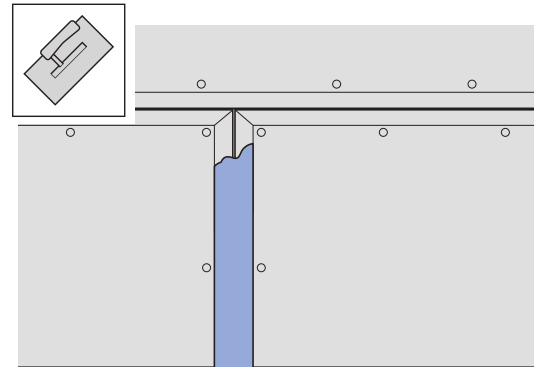
4



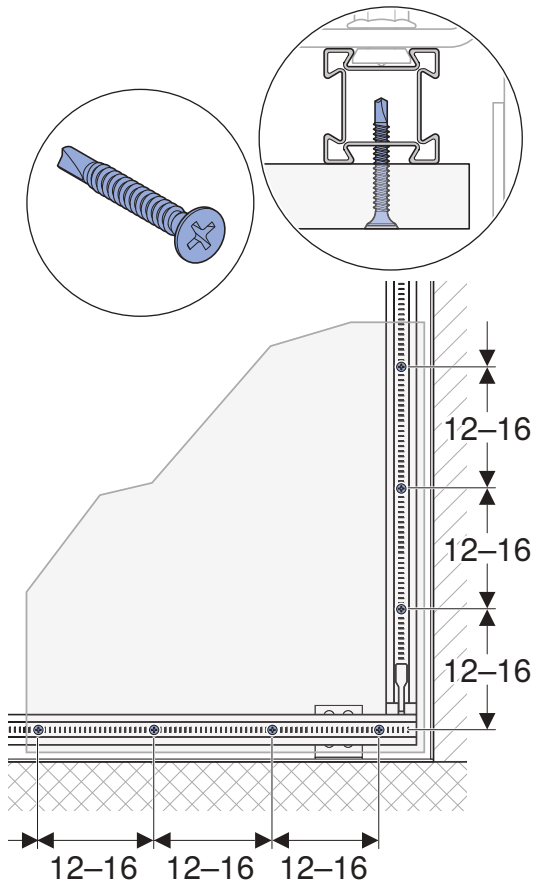
6

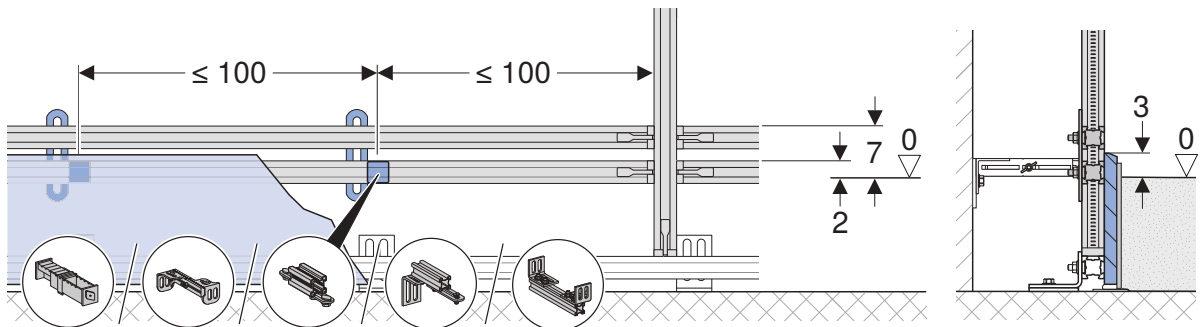
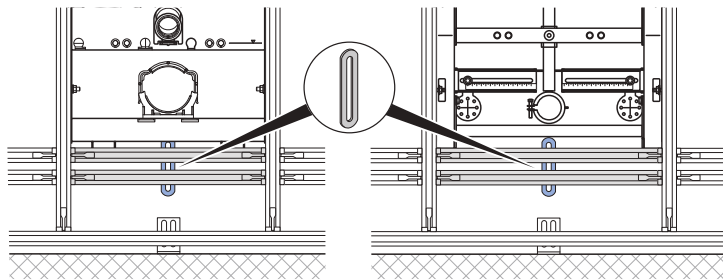
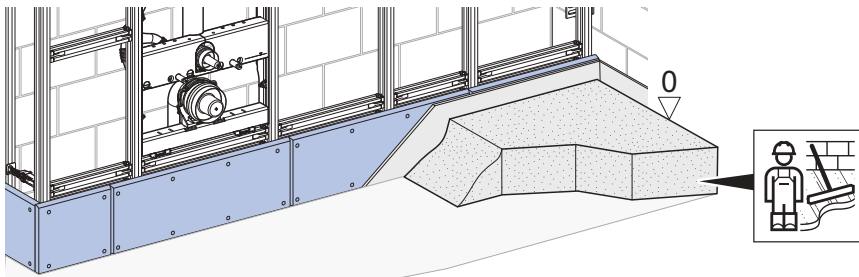
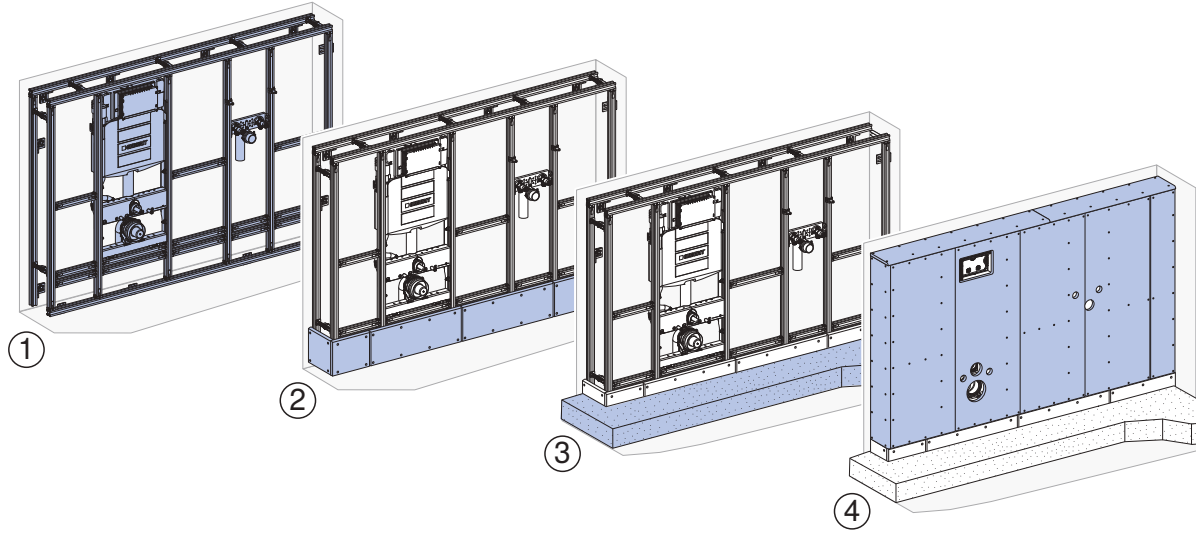
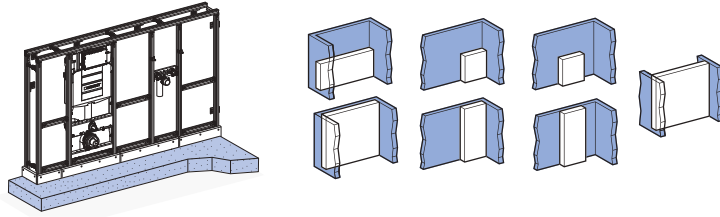


7



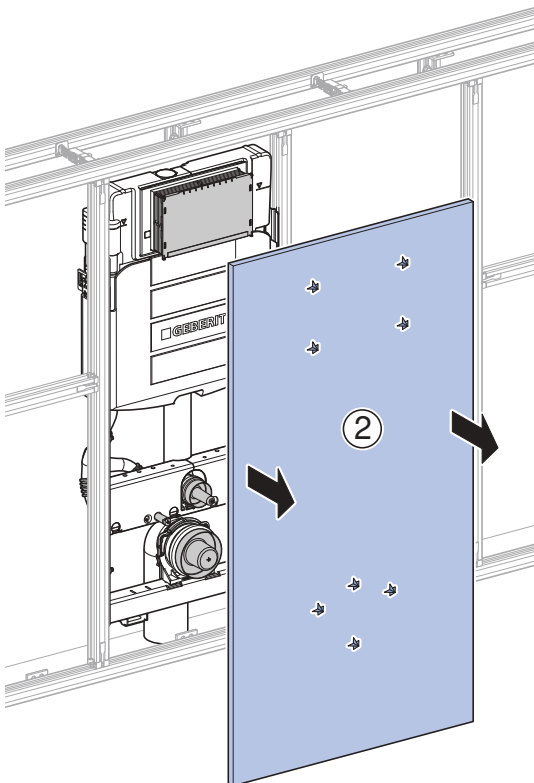
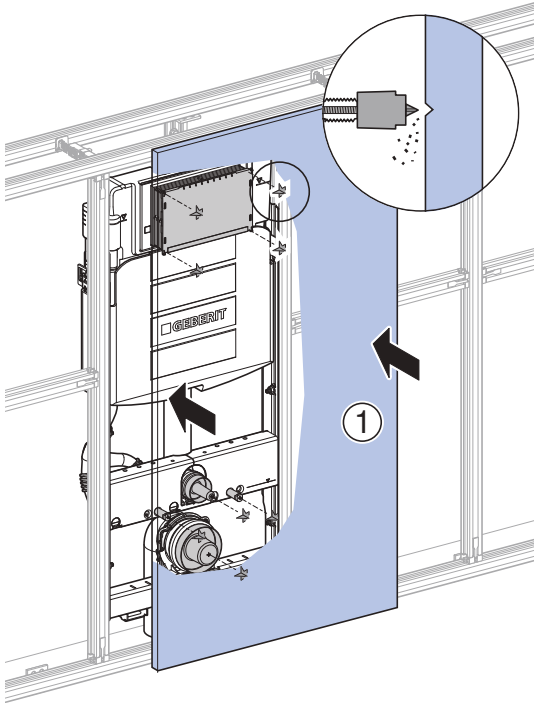
5



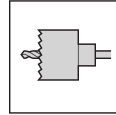




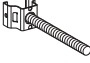
3

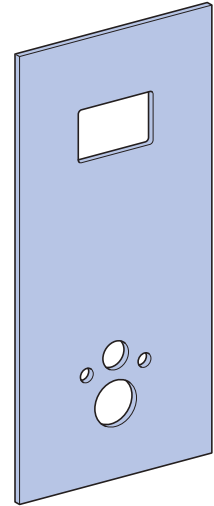
1



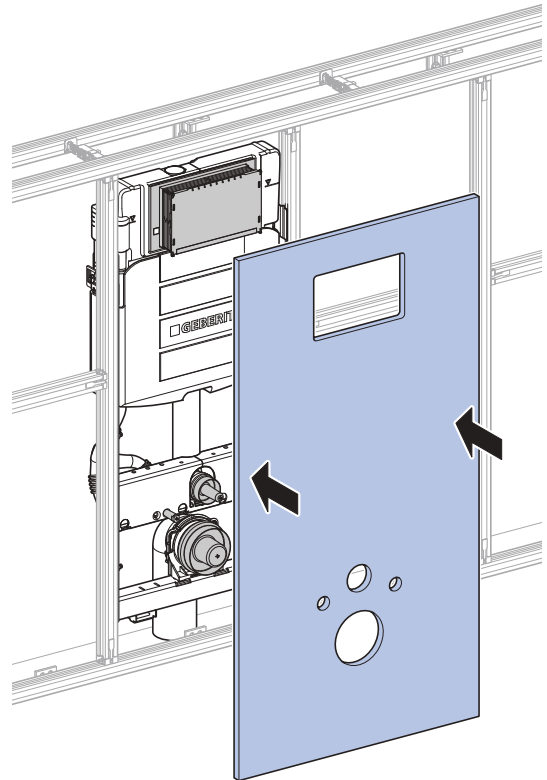
2

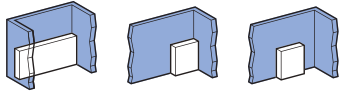


	ø 120 mm ø 60 mm ø 30 mm
	ø 60 mm ø 40 mm
	ø 40 mm

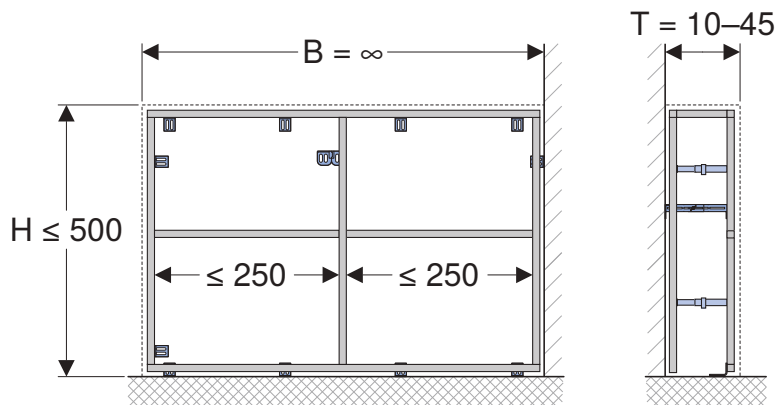
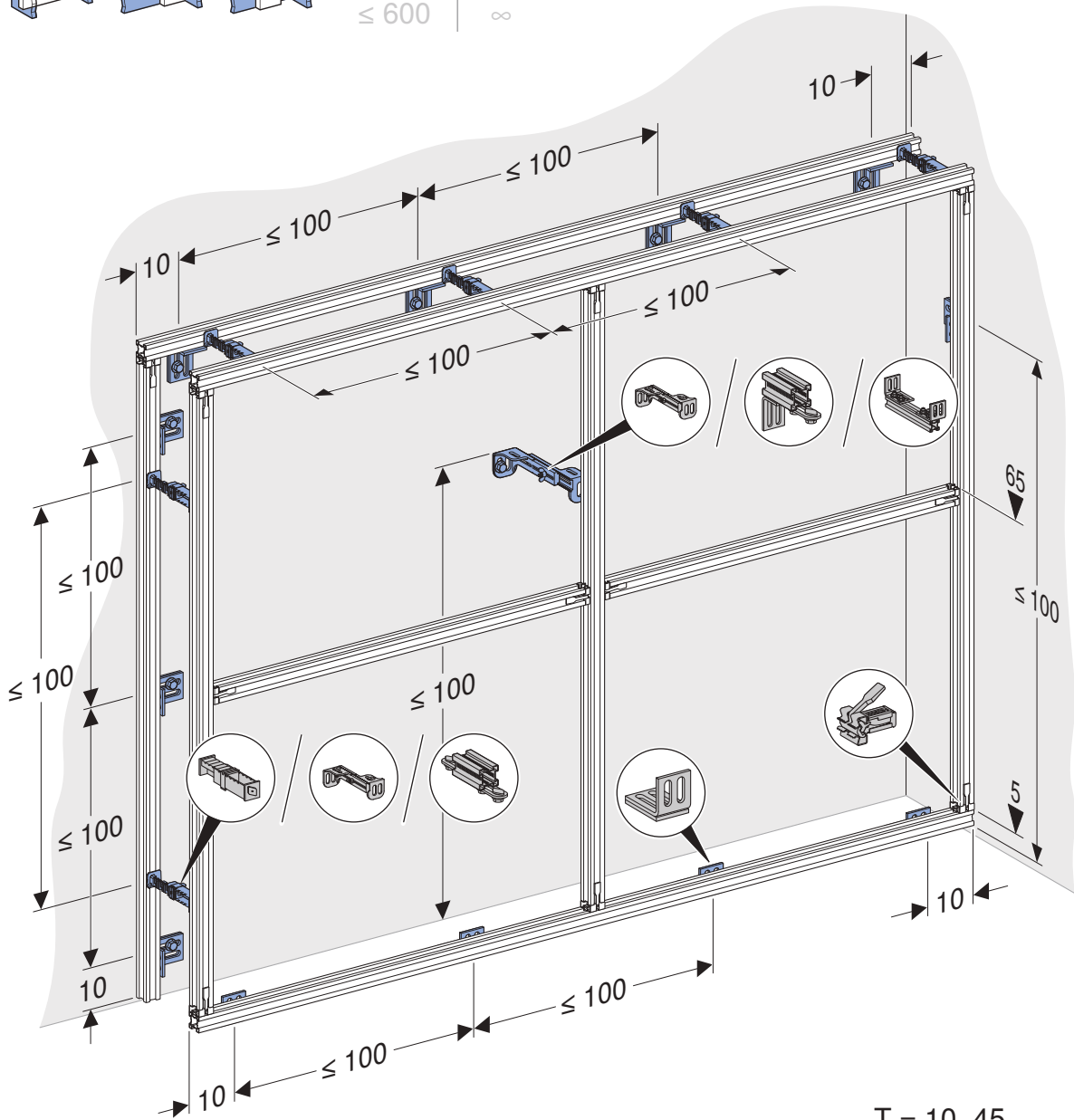


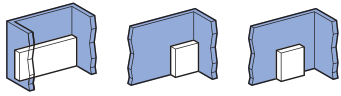
3



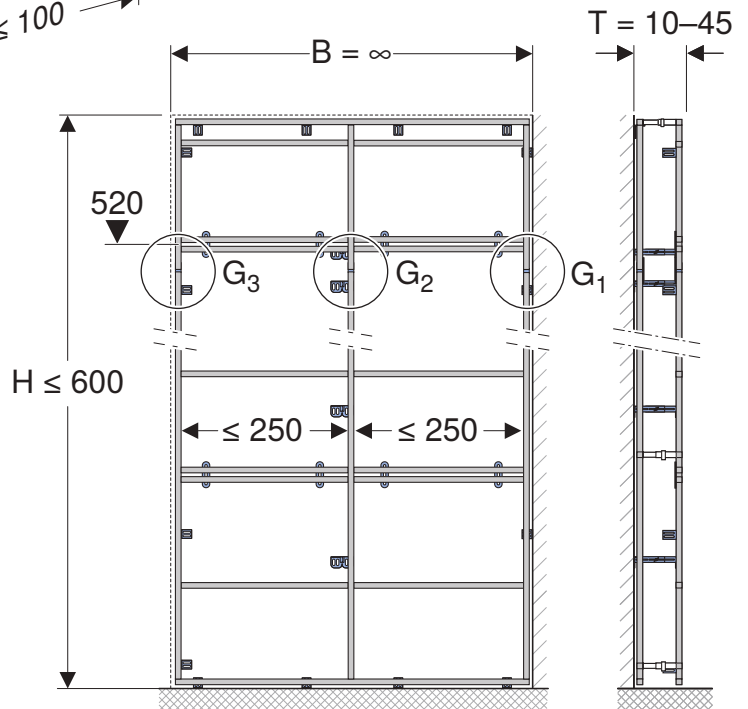
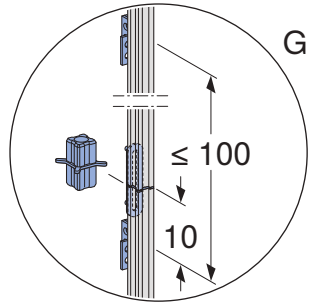
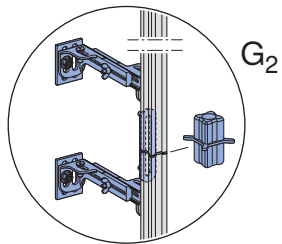
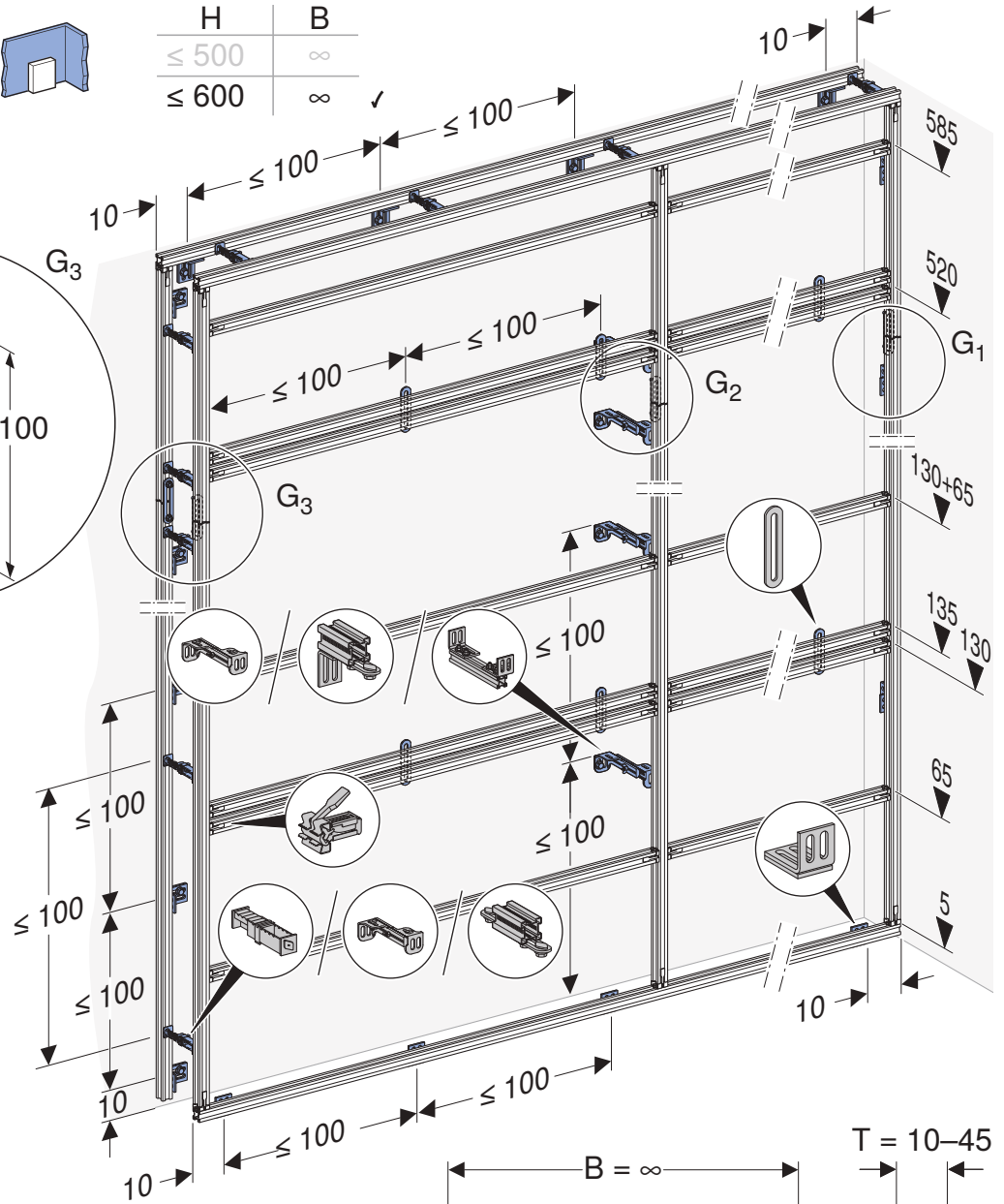
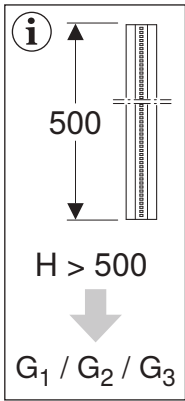
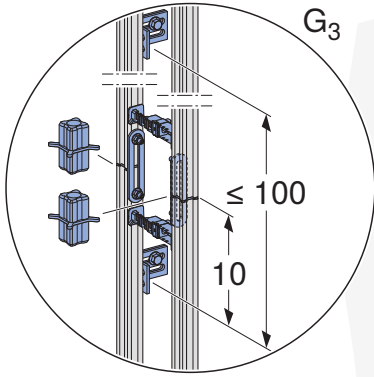


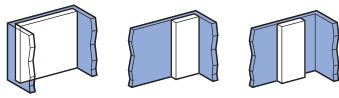
H	B
≤ 500	∞ ✓
≤ 600	∞



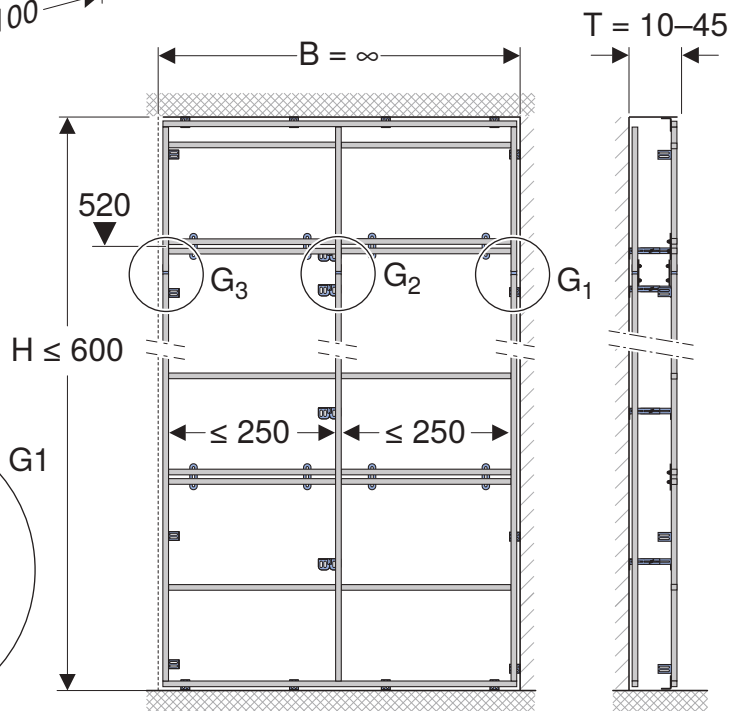
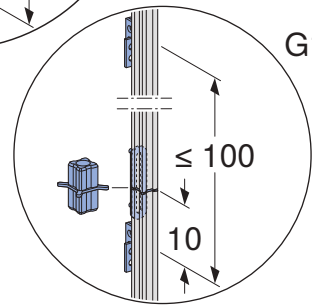
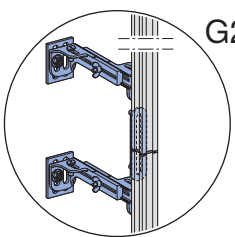
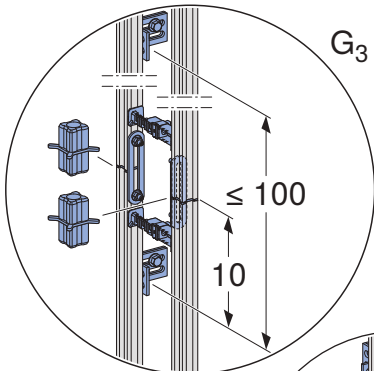
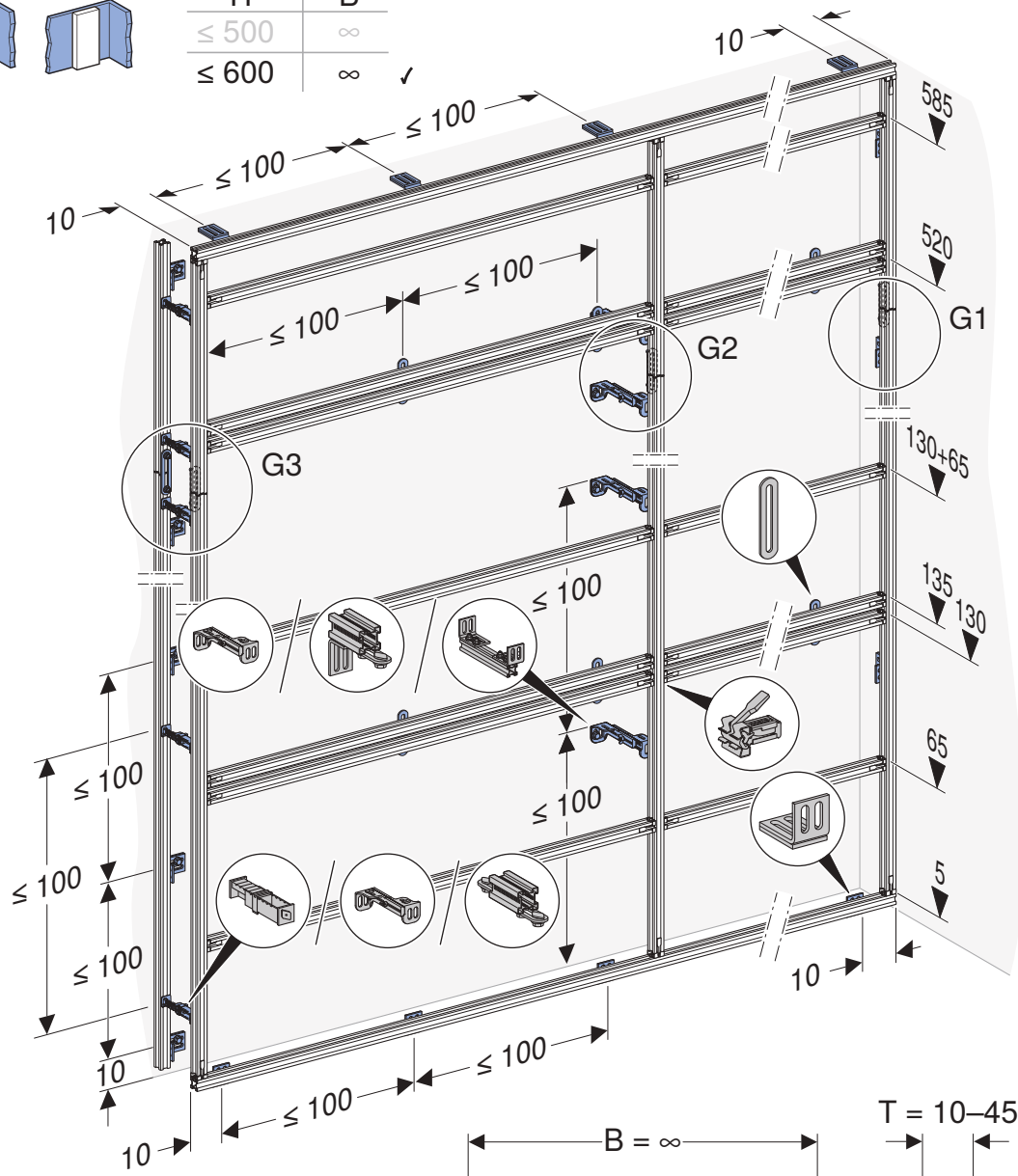
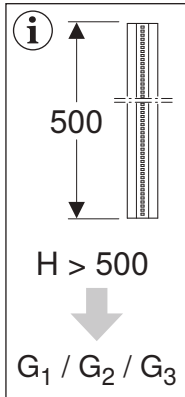


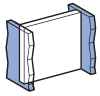
H	B
≤ 500	∞
≤ 600	∞ ✓



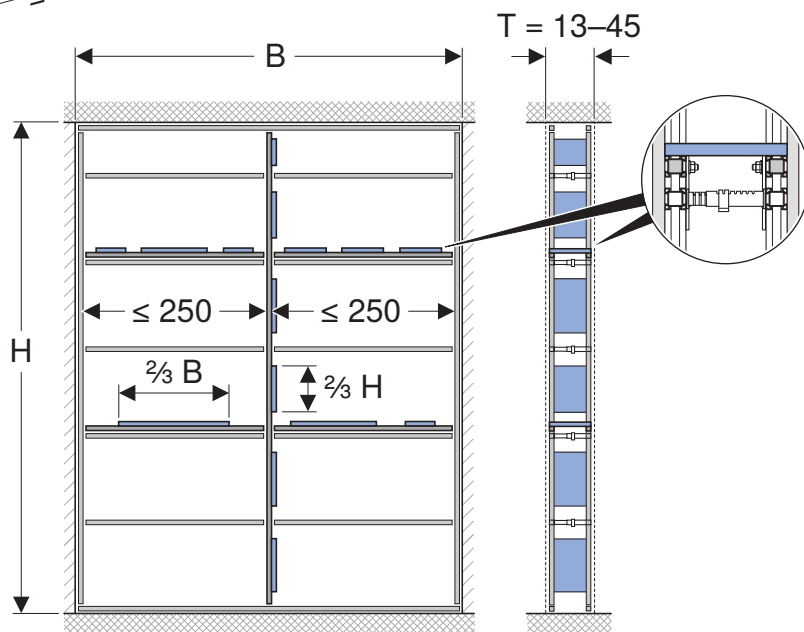
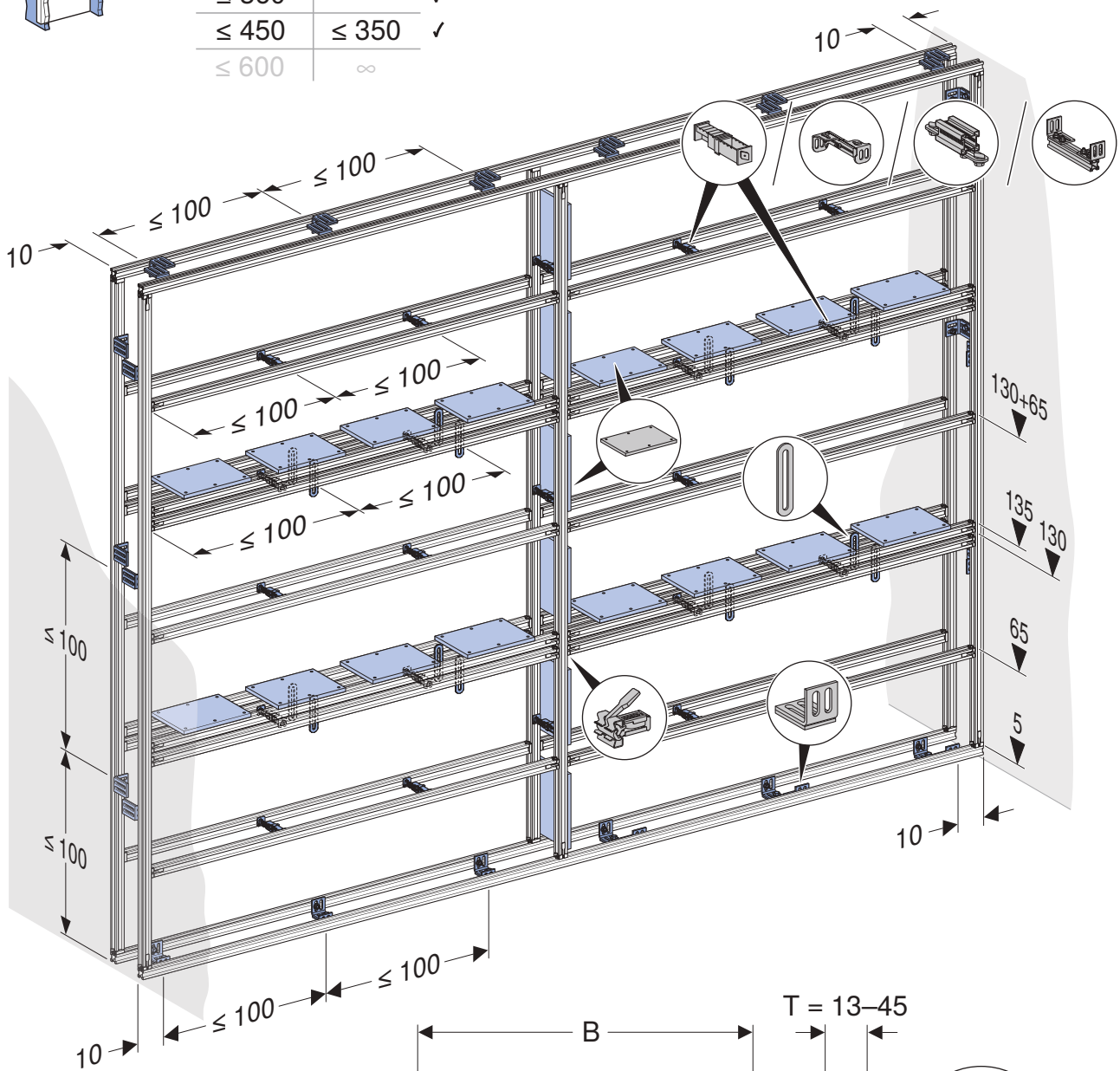


H	B
≤ 500	∞
≤ 600	∞ ✓



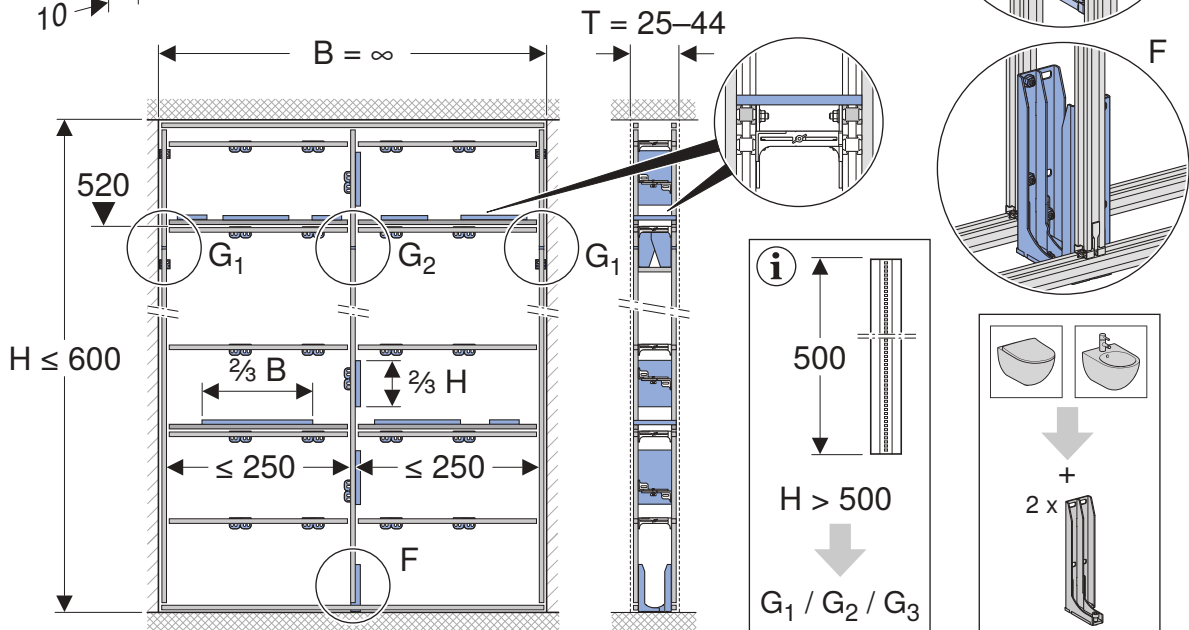
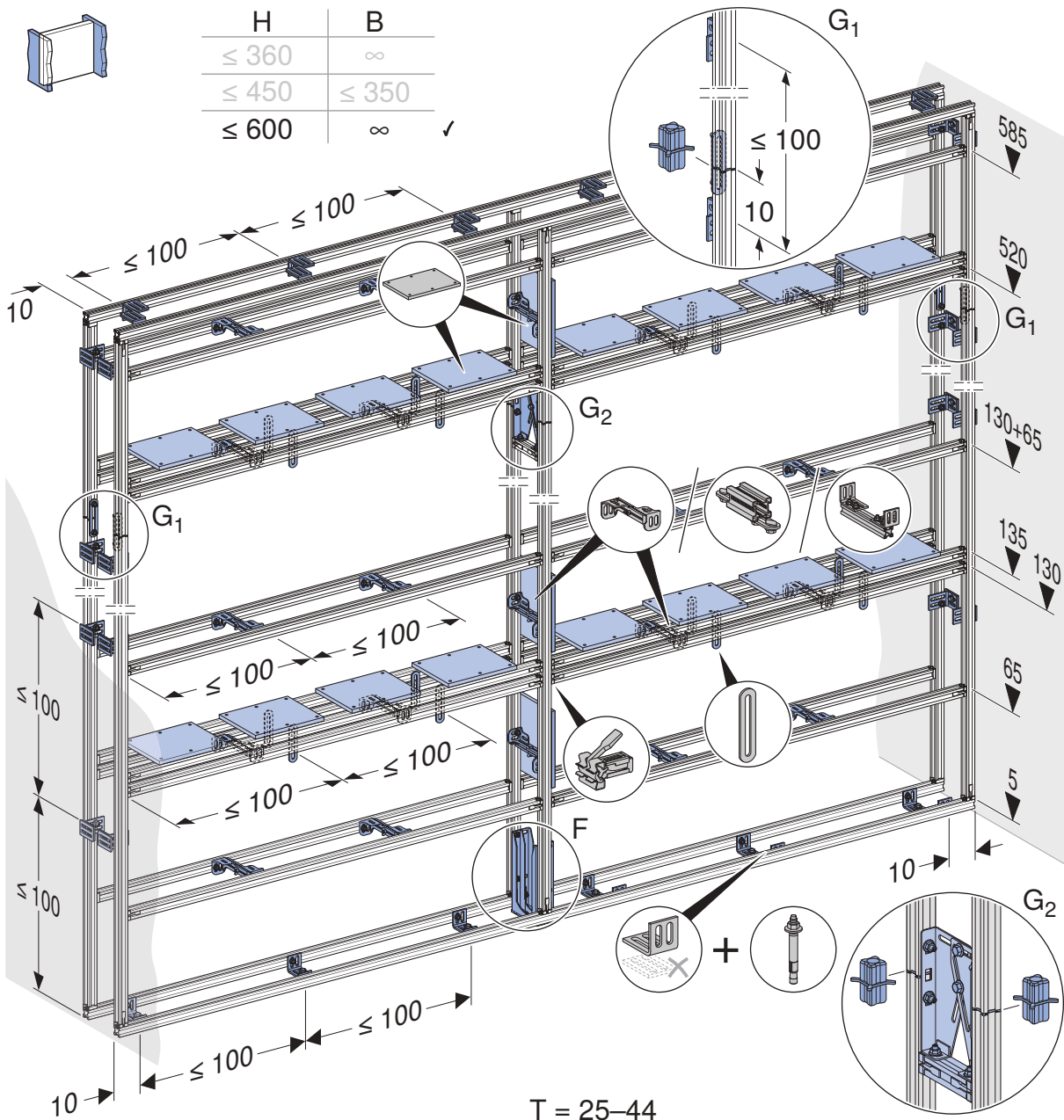


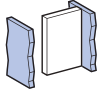
H	B	
≤ 360	∞	✓
≤ 450	≤ 350	✓
≤ 600	∞	



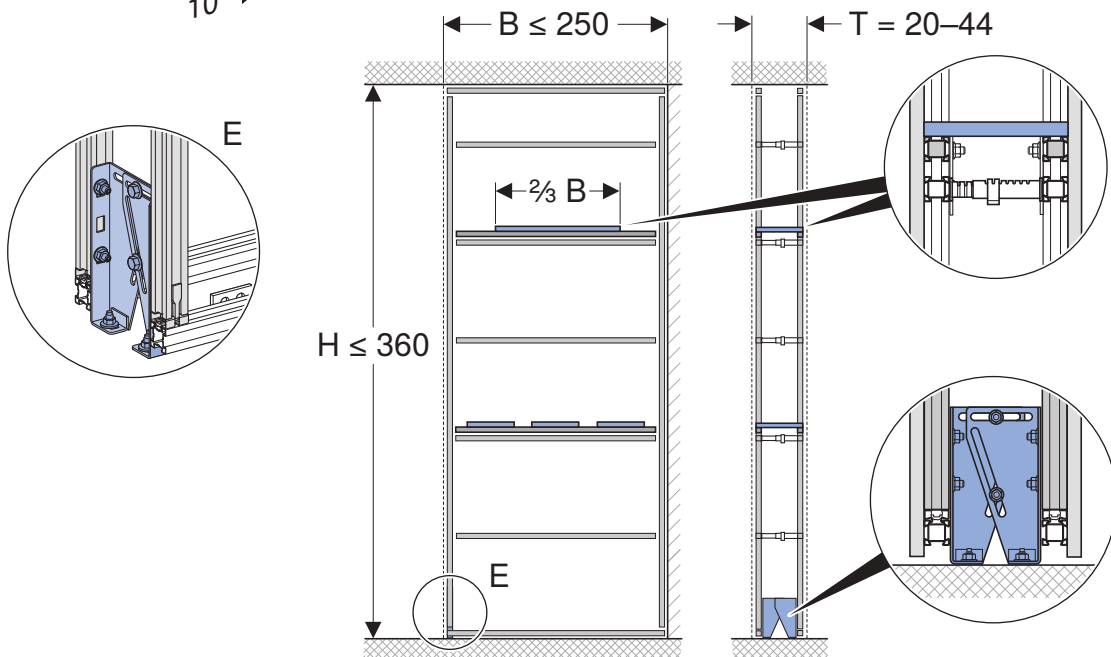
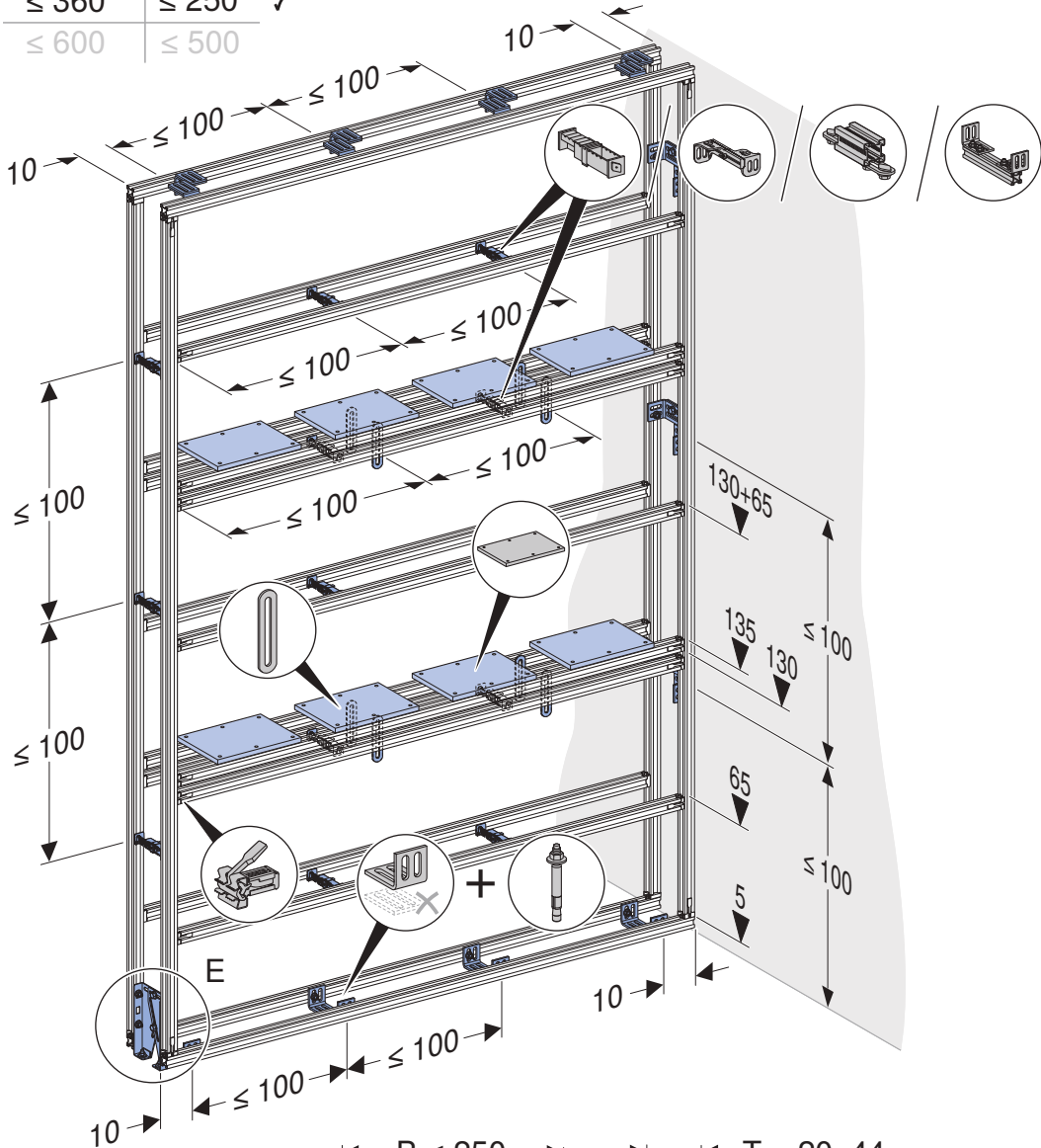


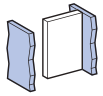
H	B
≤ 360	∞
≤ 450	≤ 350
≤ 600	∞ ✓



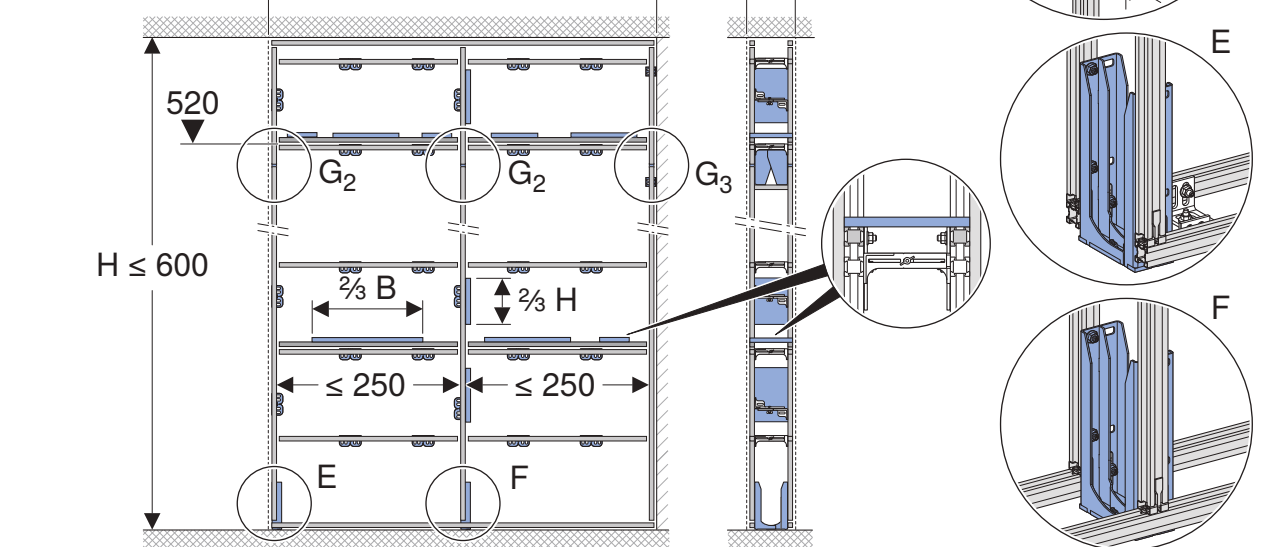
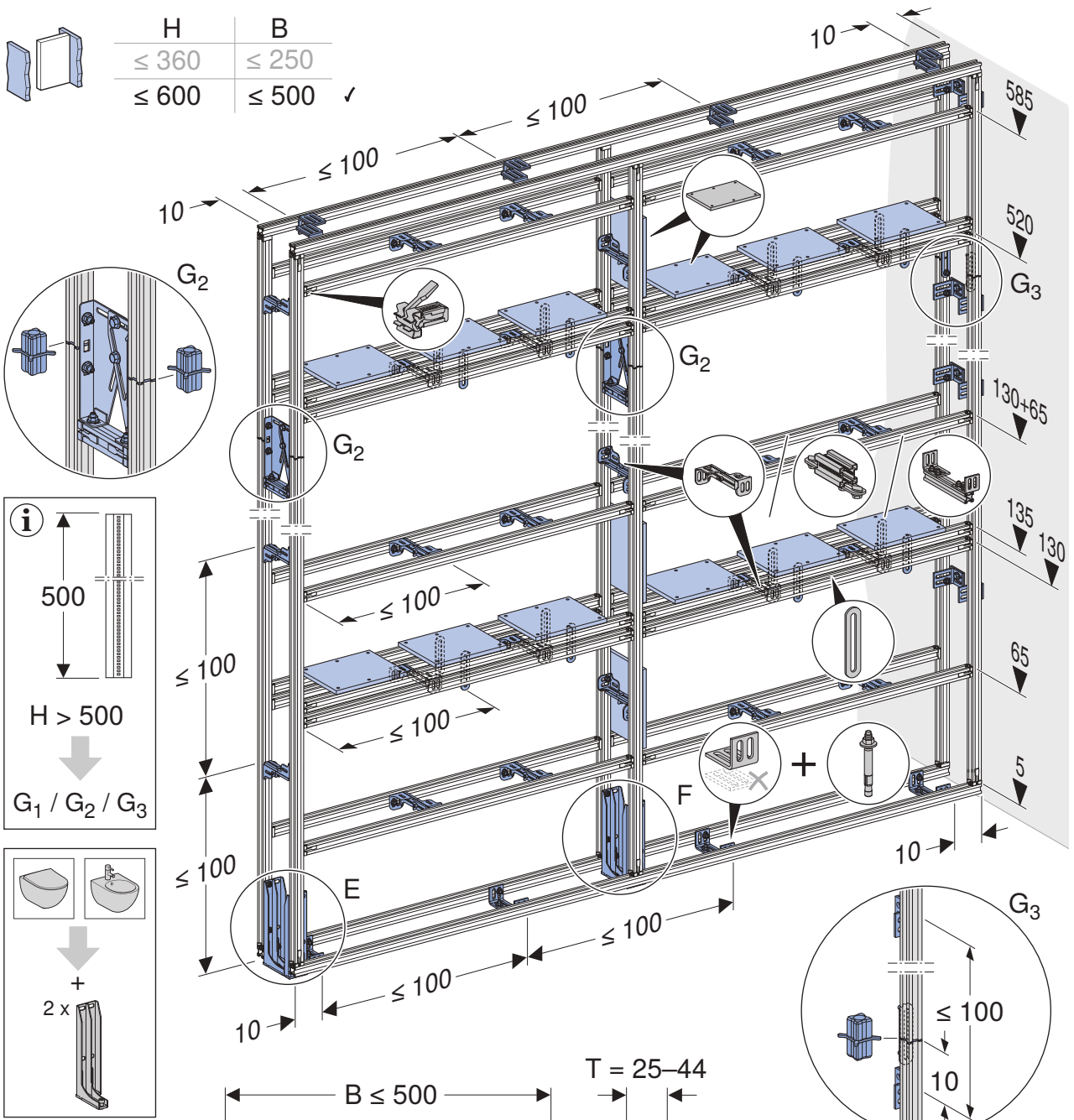


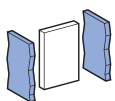
H	B
≤ 360	≤ 250 ✓
≤ 600	≤ 500



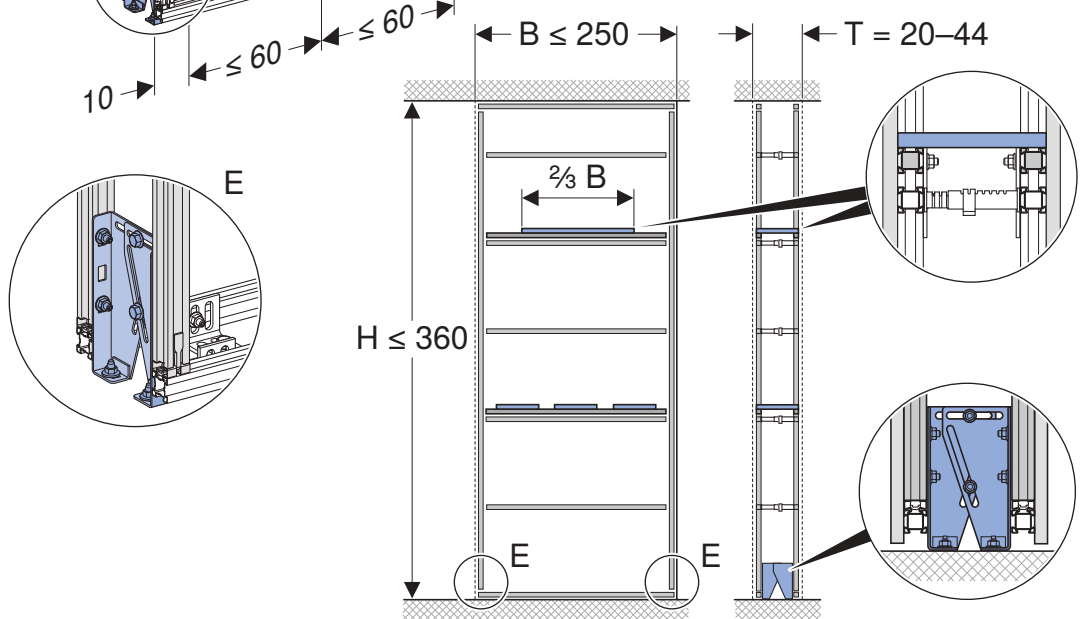
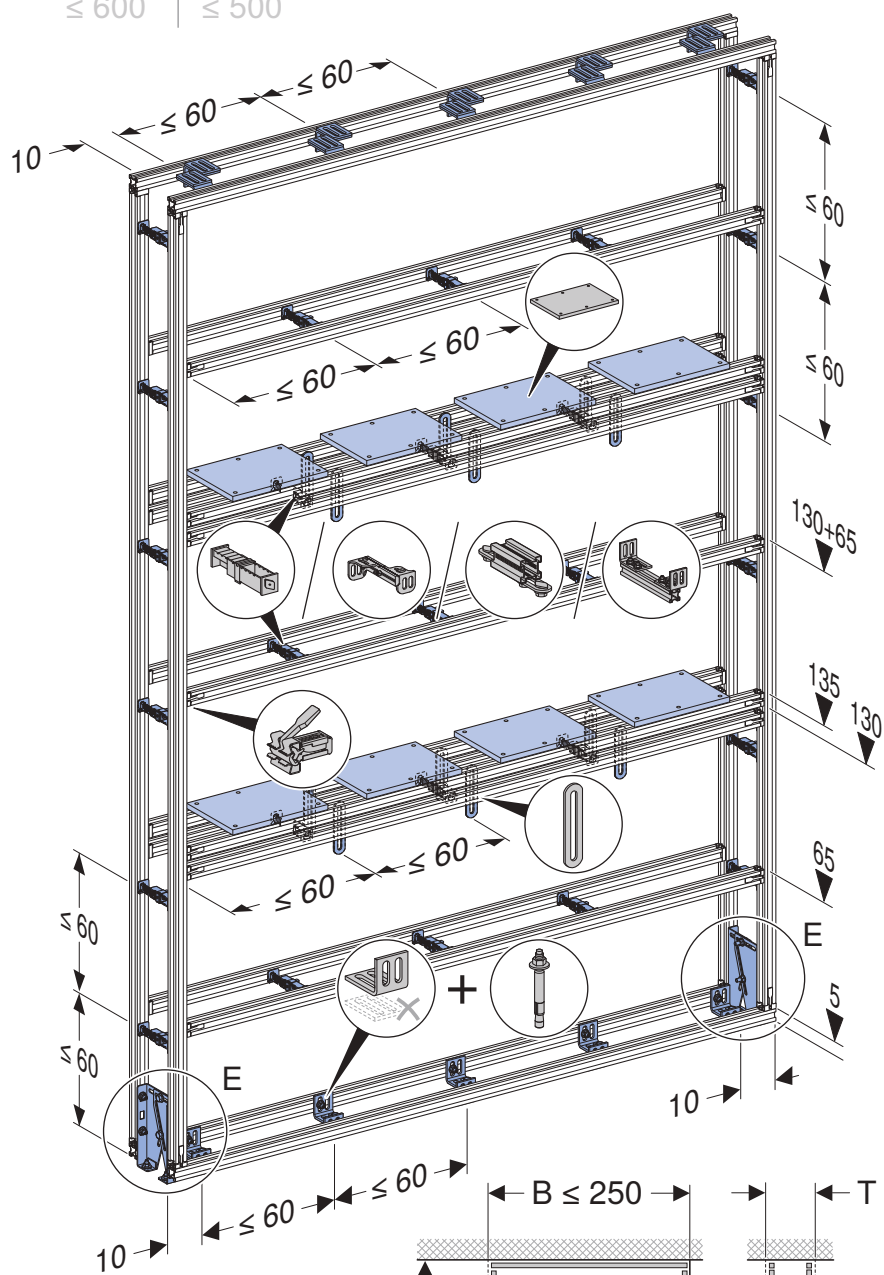


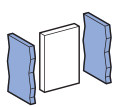
H	B
≤ 360	≤ 250
≤ 600	≤ 500 ✓



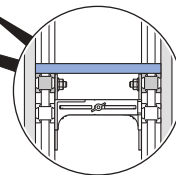
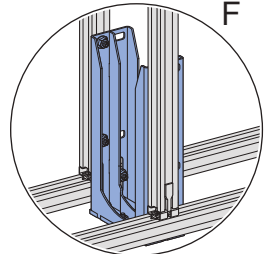
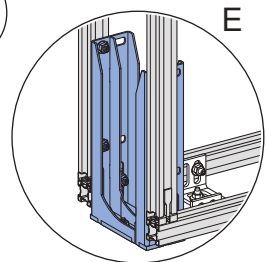
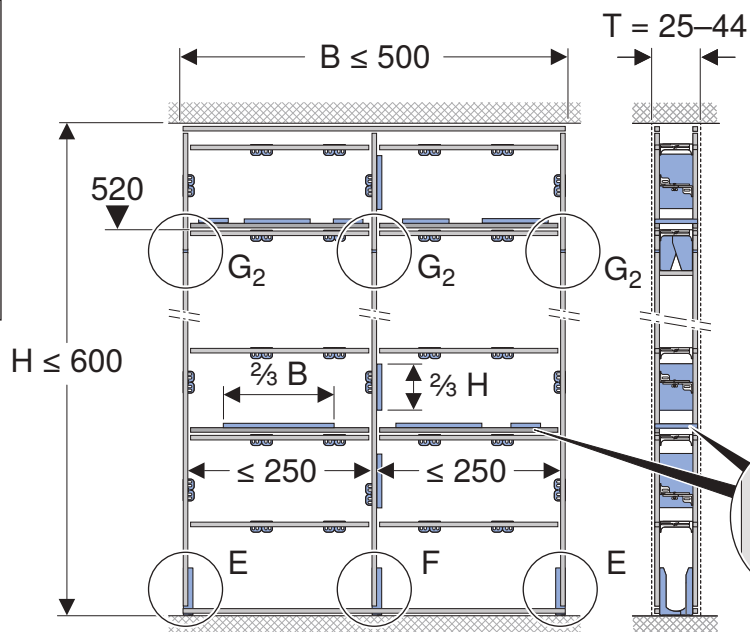
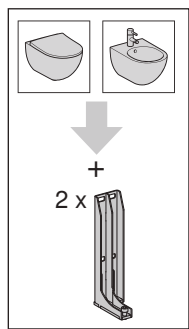
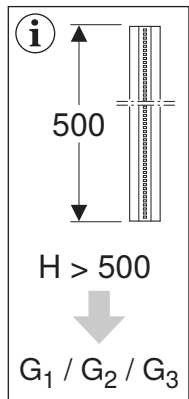
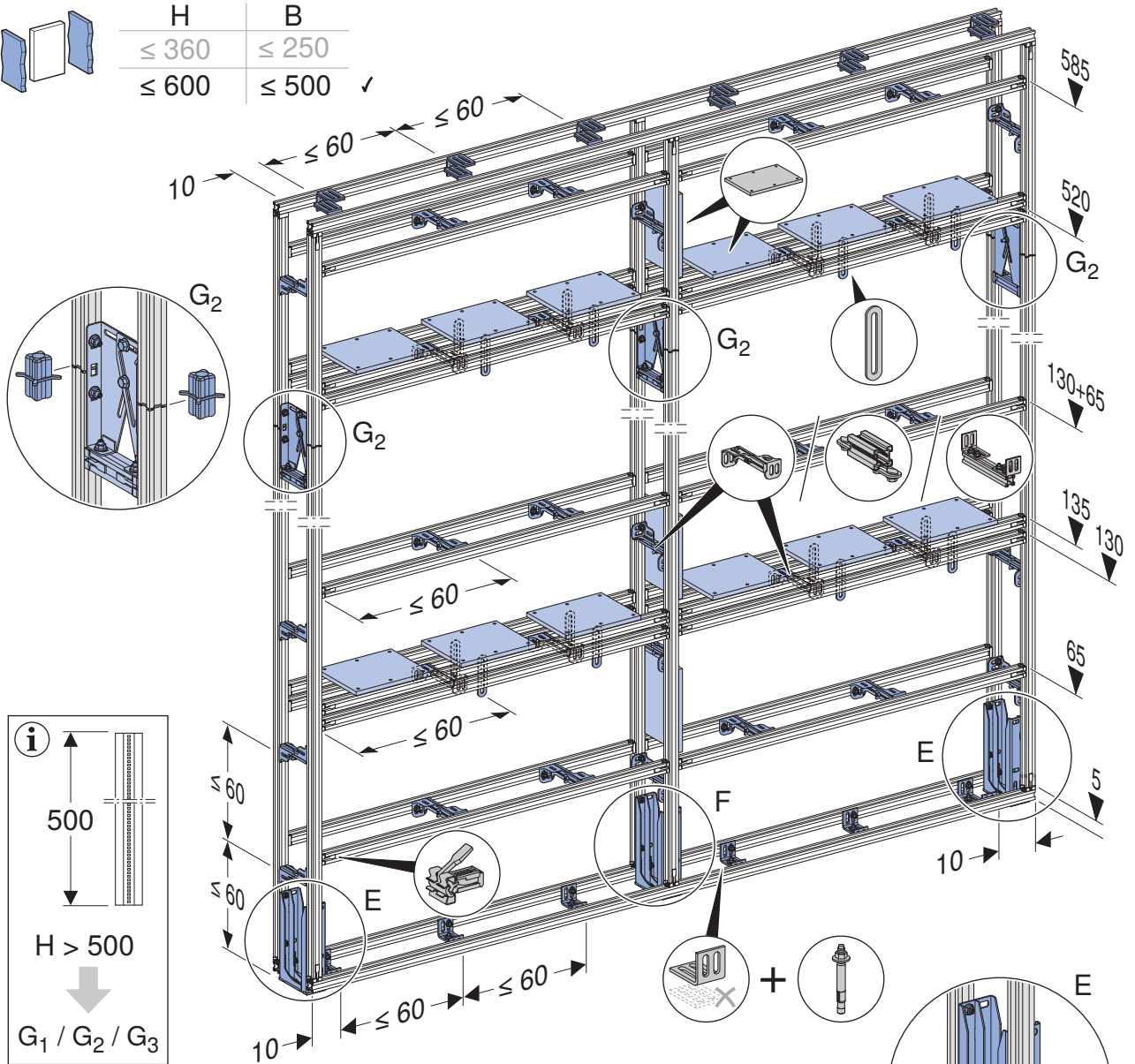


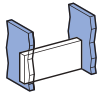
H	B
≤ 360	≤ 250 ✓
≤ 600	≤ 500



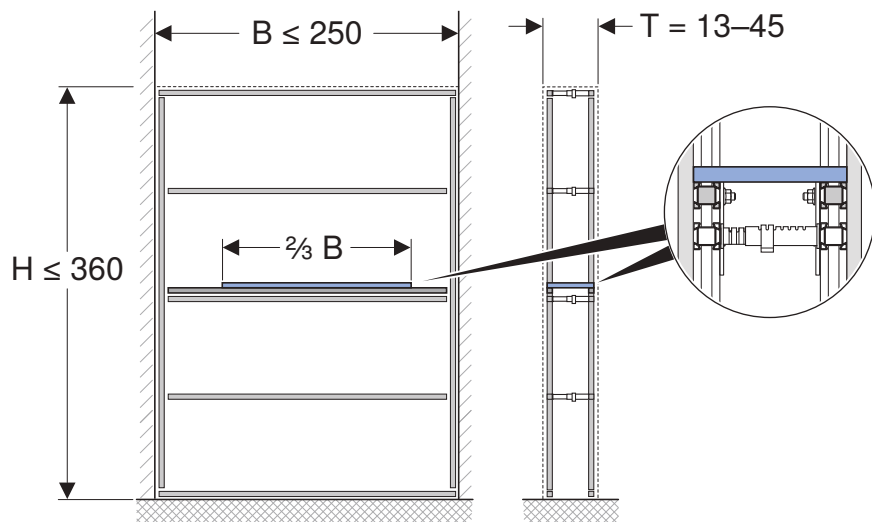
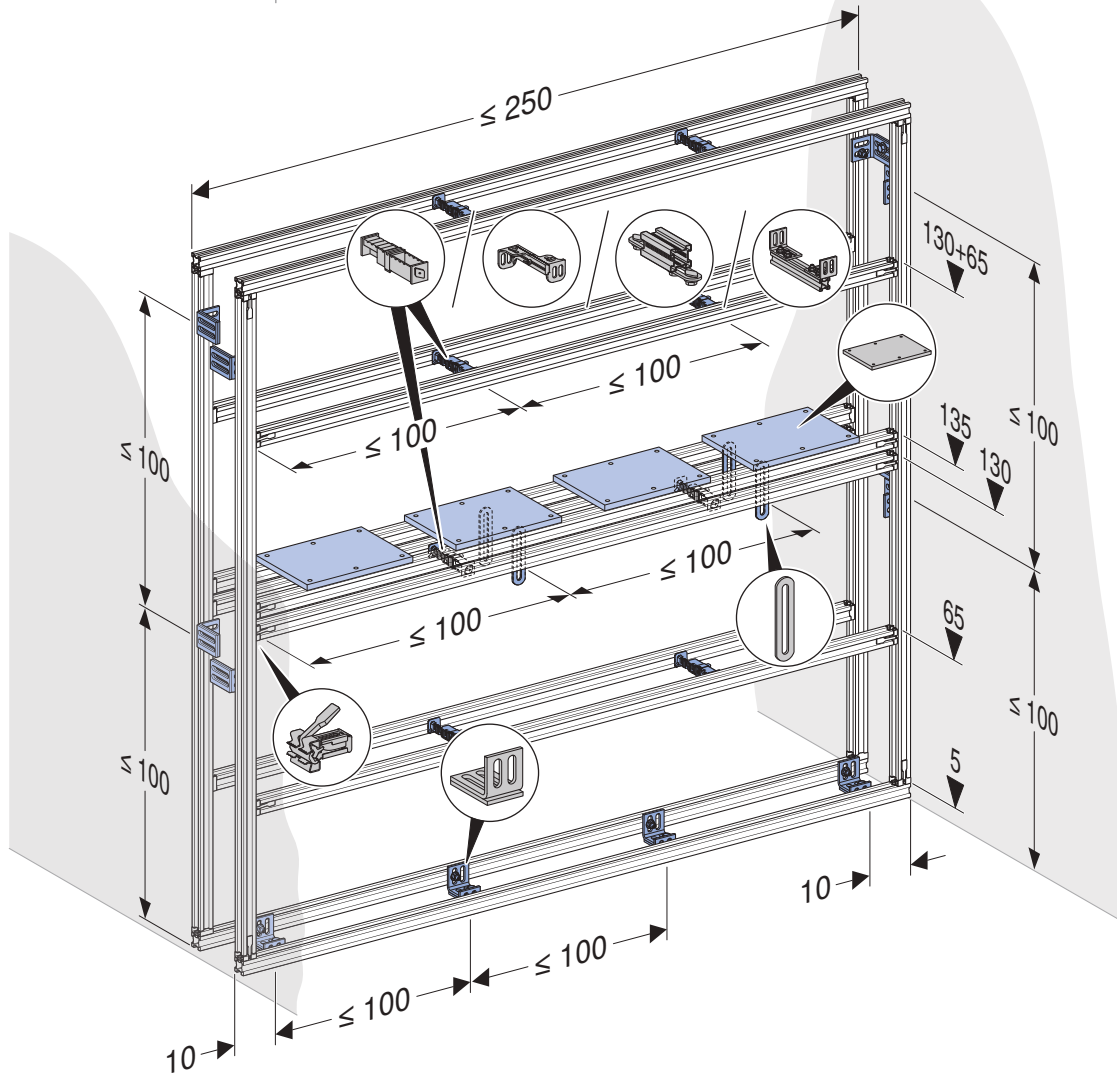


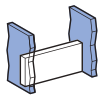
H	B
≤ 360	≤ 250
≤ 600	≤ 500 ✓



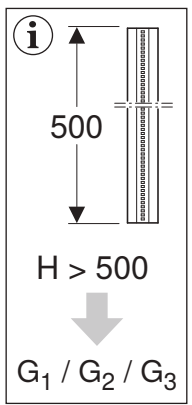
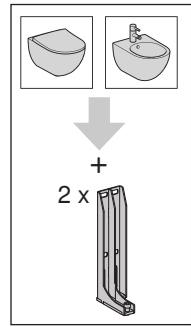
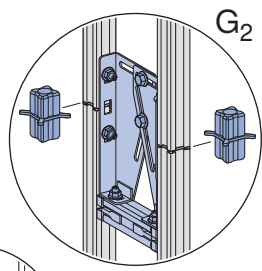
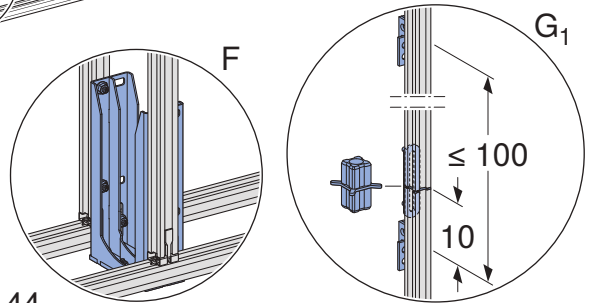
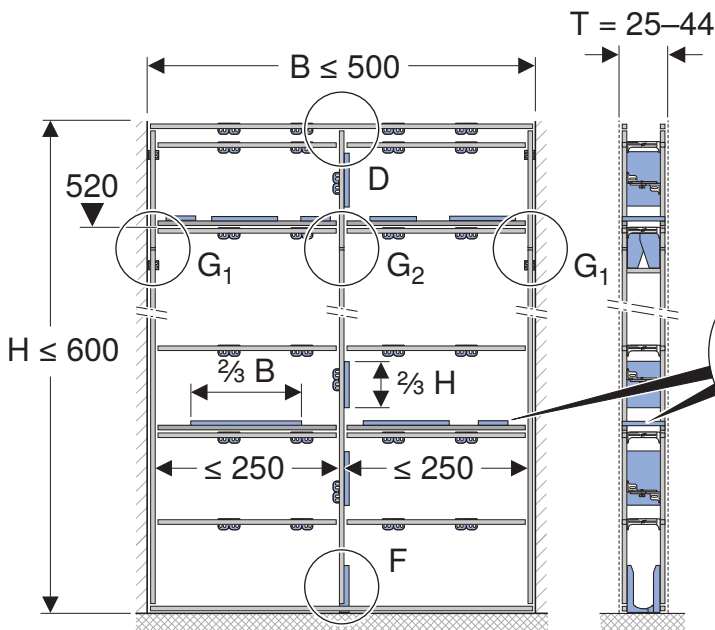
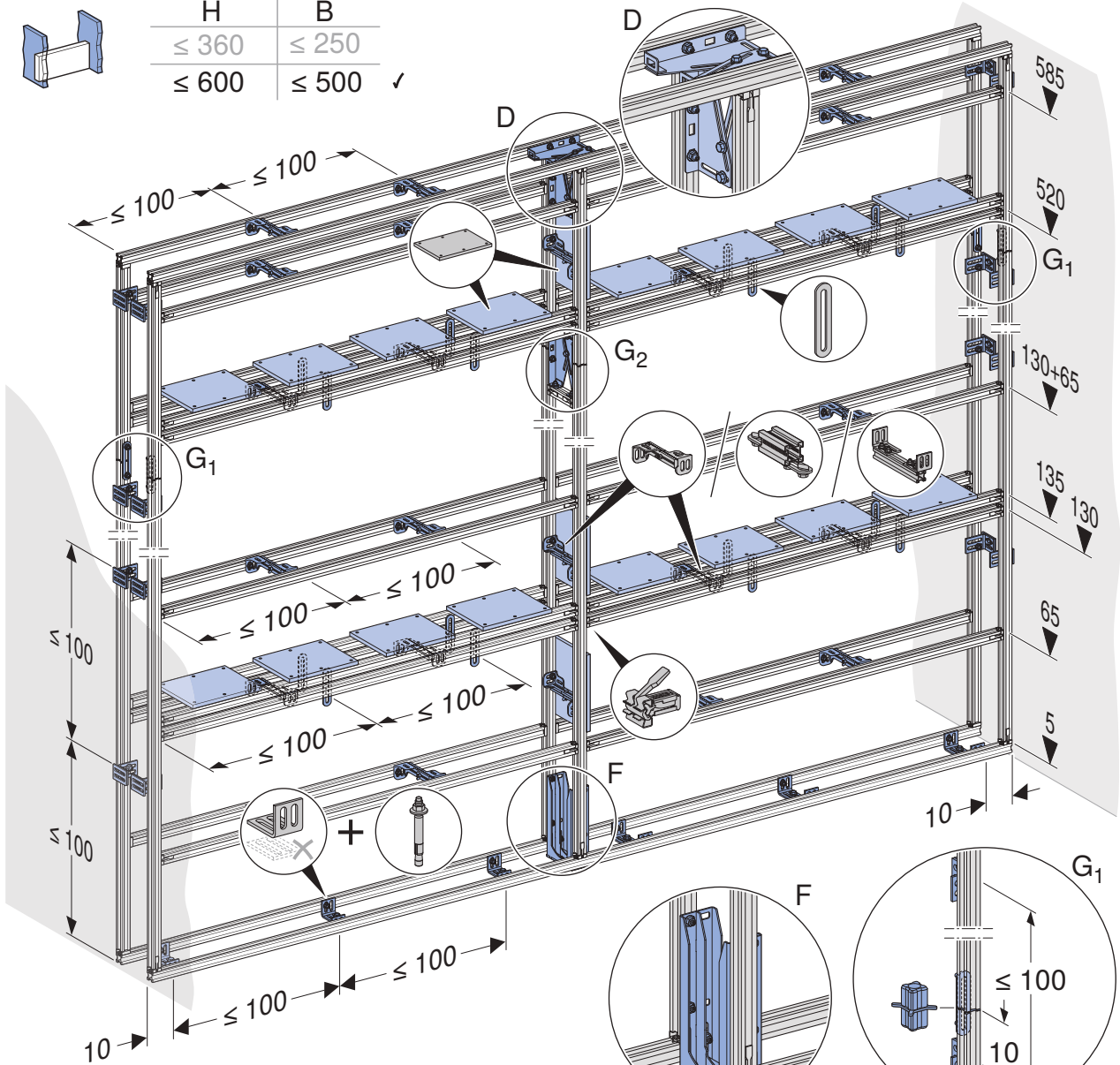


H	B	
≤ 360	≤ 250	✓
≤ 600	≤ 500	



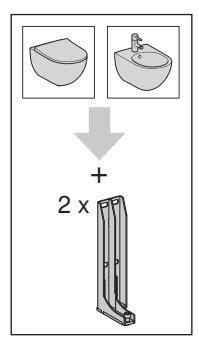
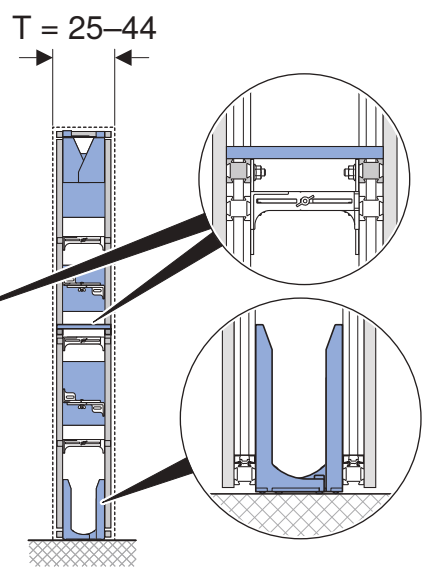
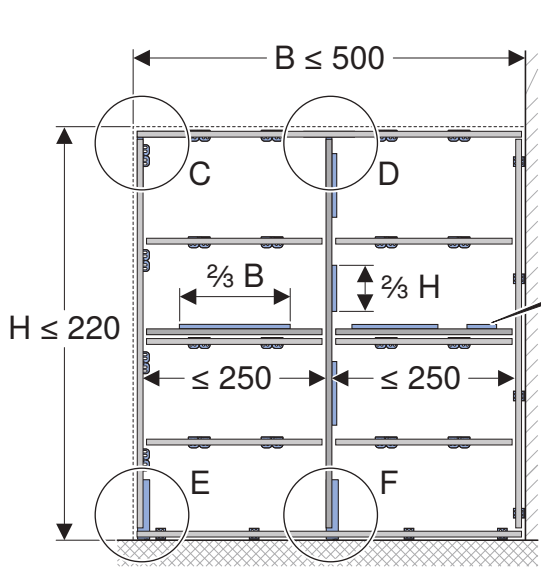
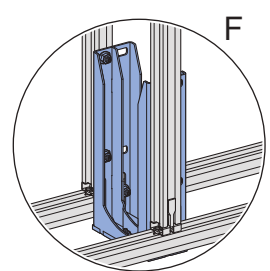
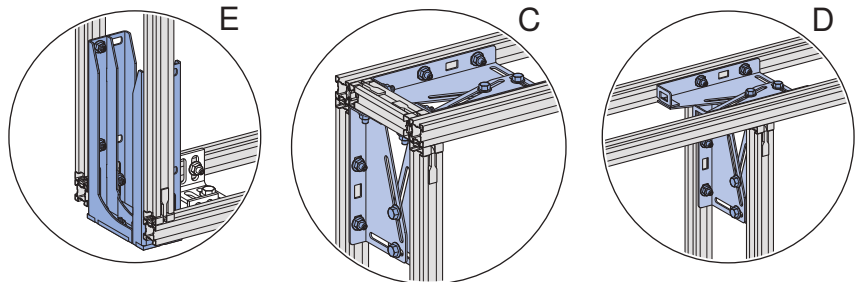
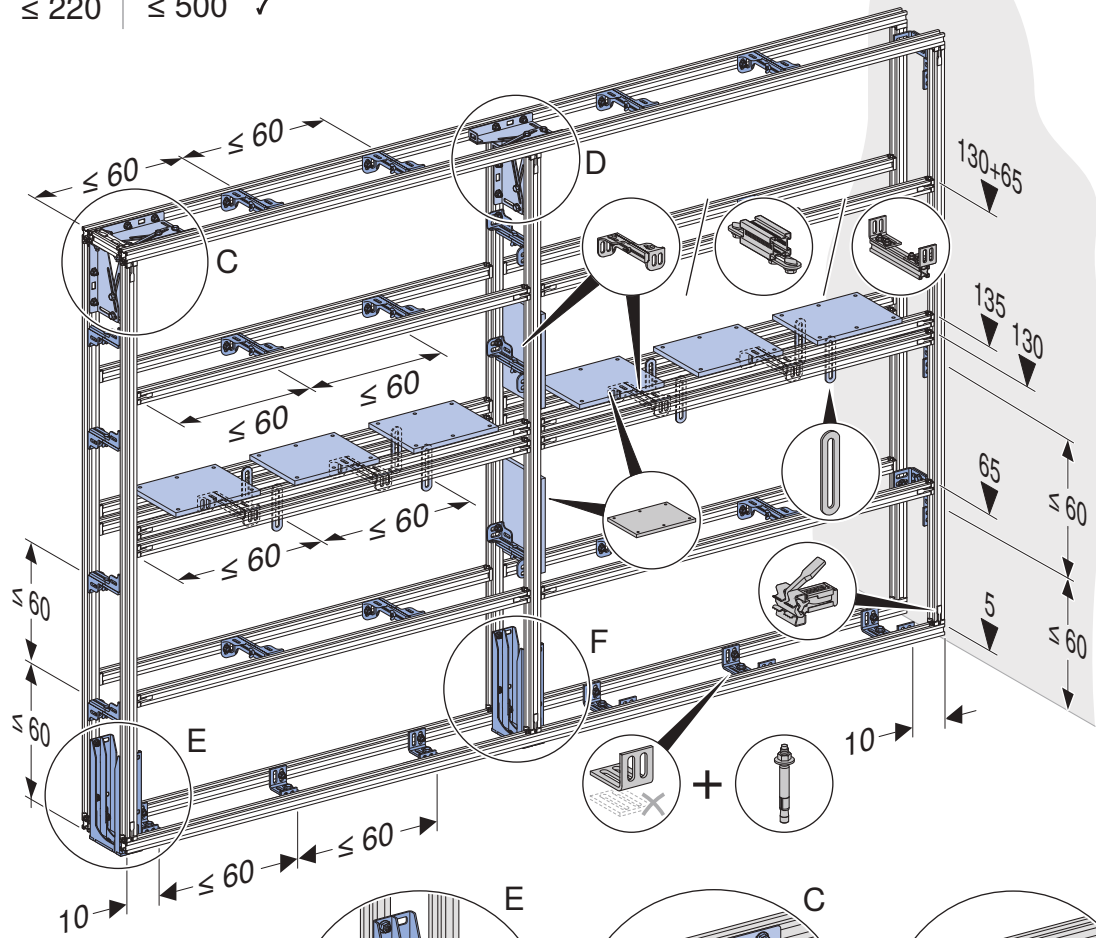


H	B
≤ 360	≤ 250
≤ 600	≤ 500 ✓



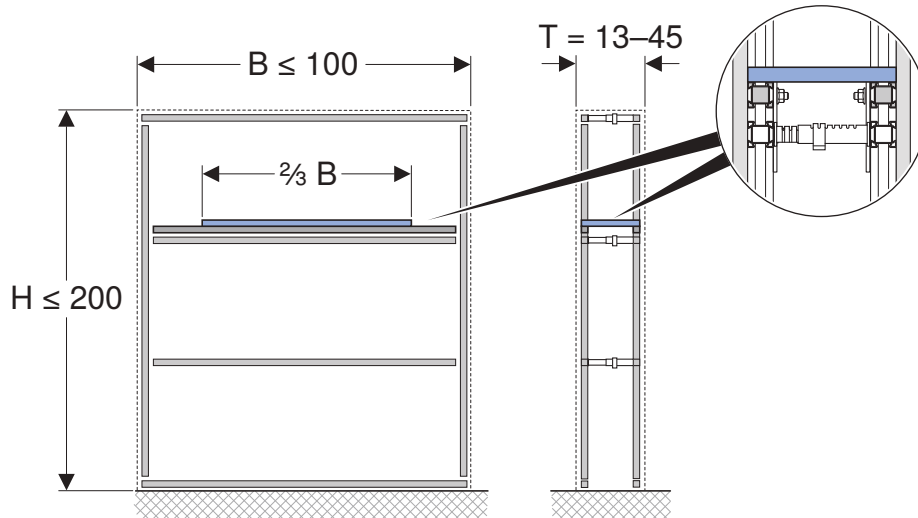
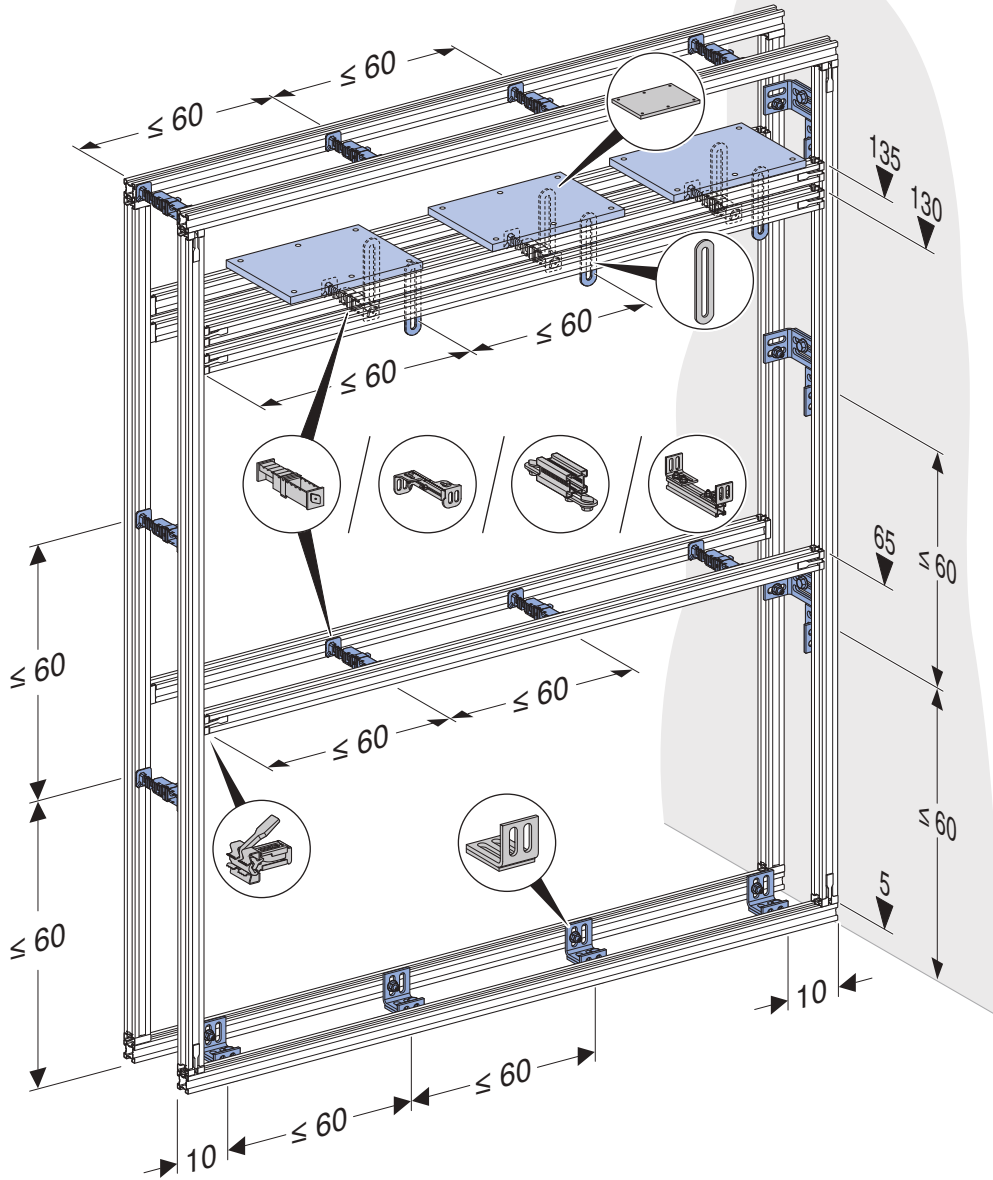


H	B
≤ 220	≤ 500 ✓



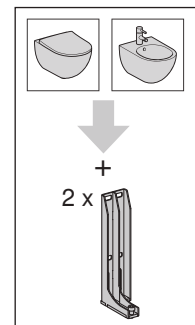
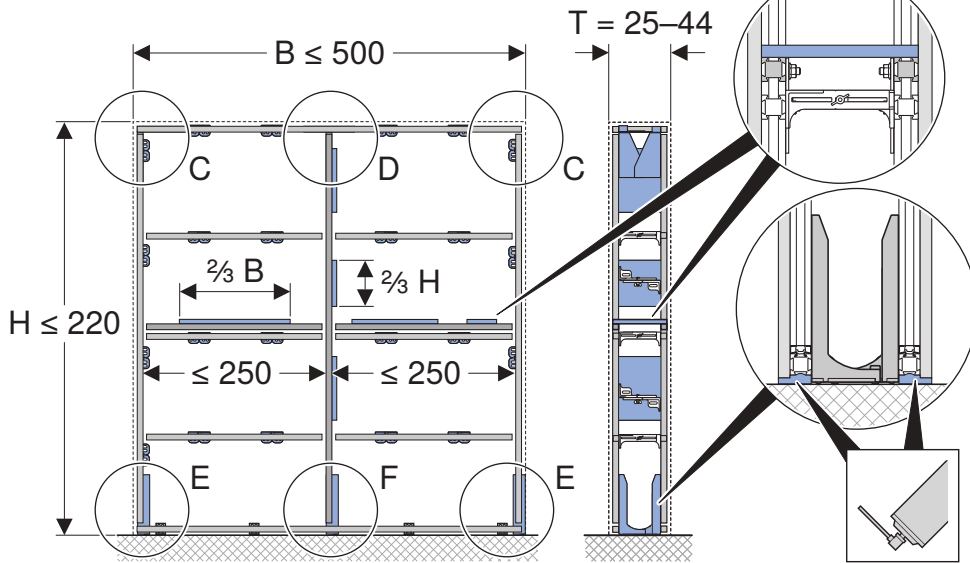
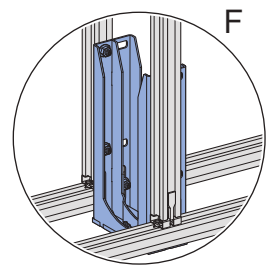
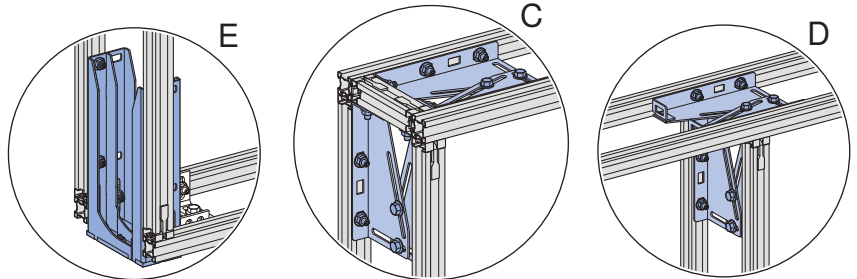
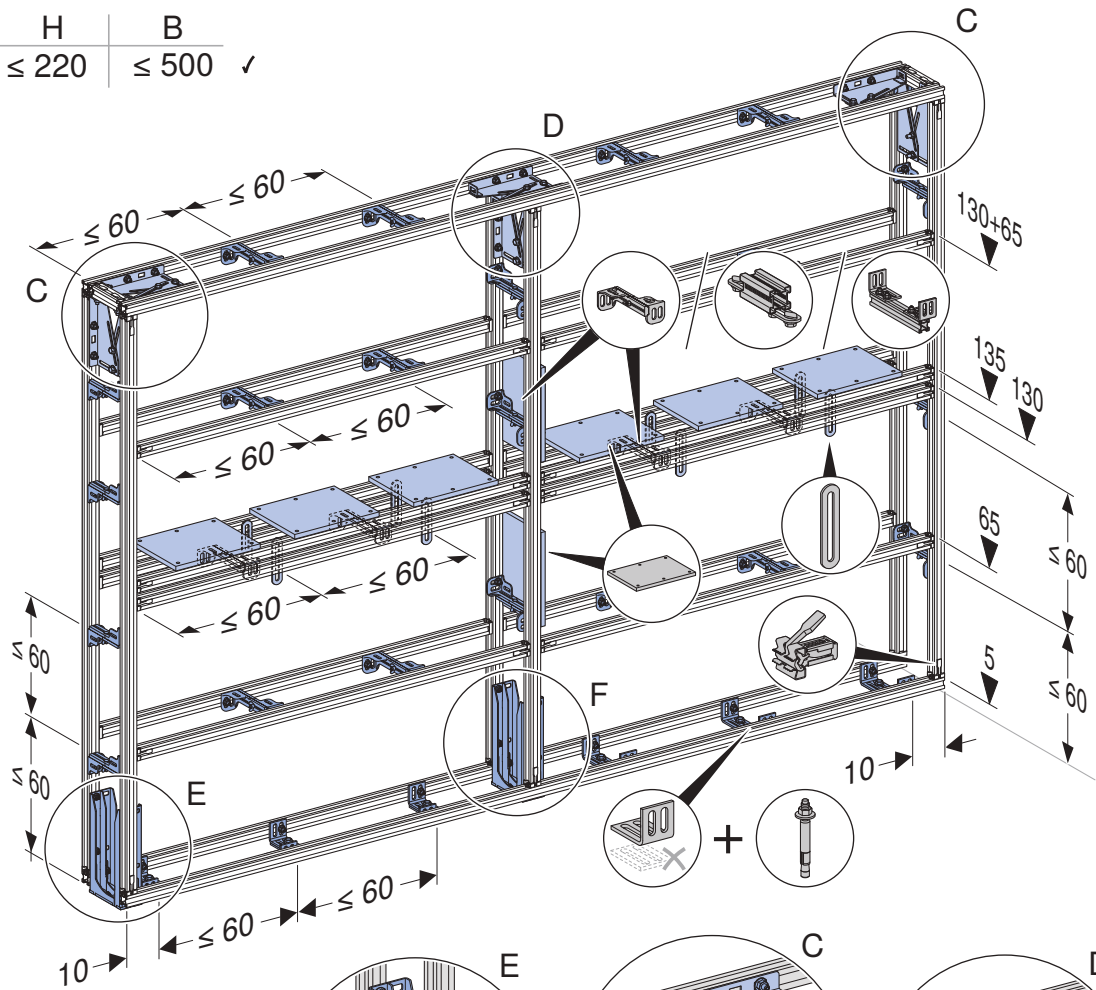


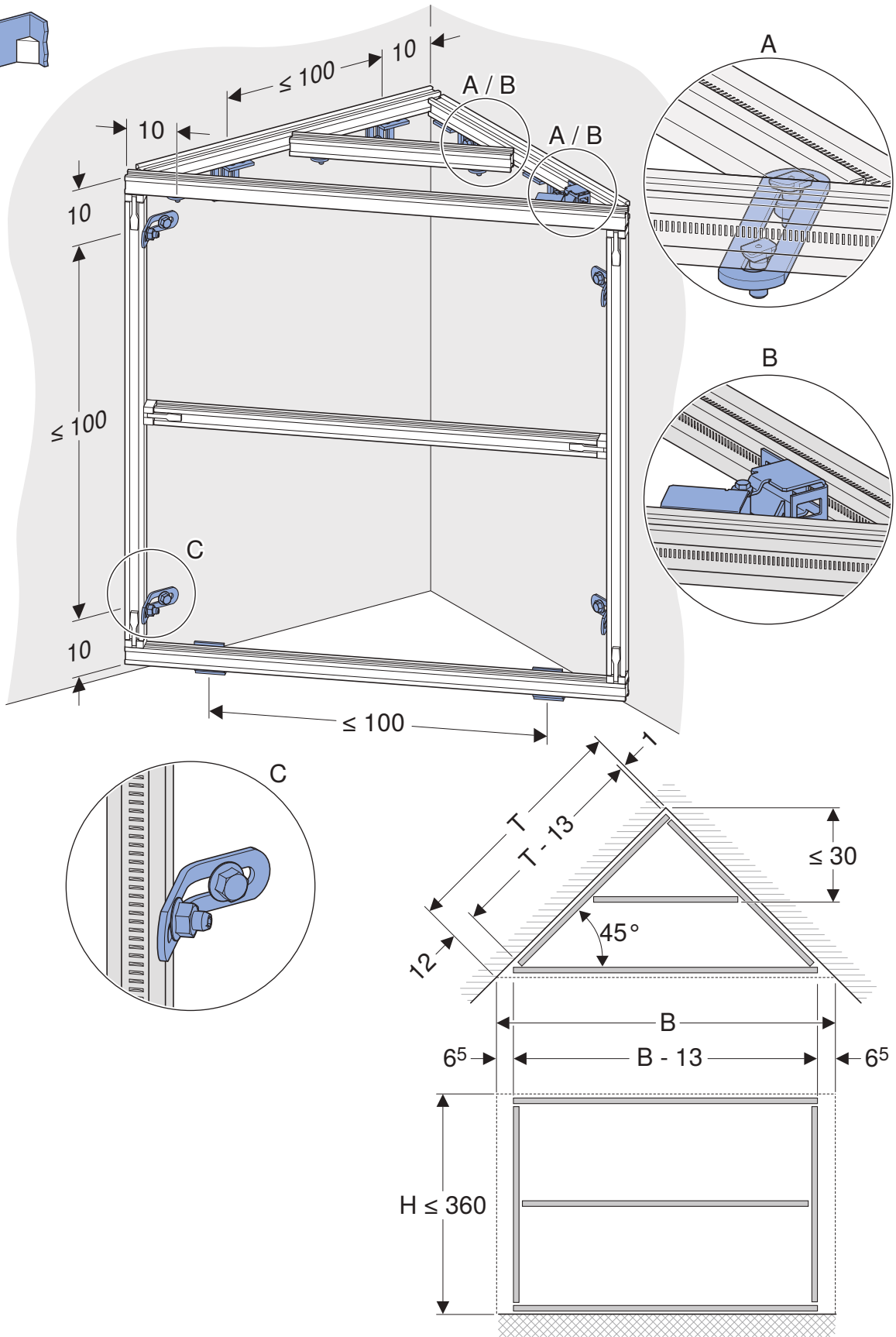
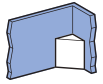
H	B
≤ 200	≤ 100 ✓

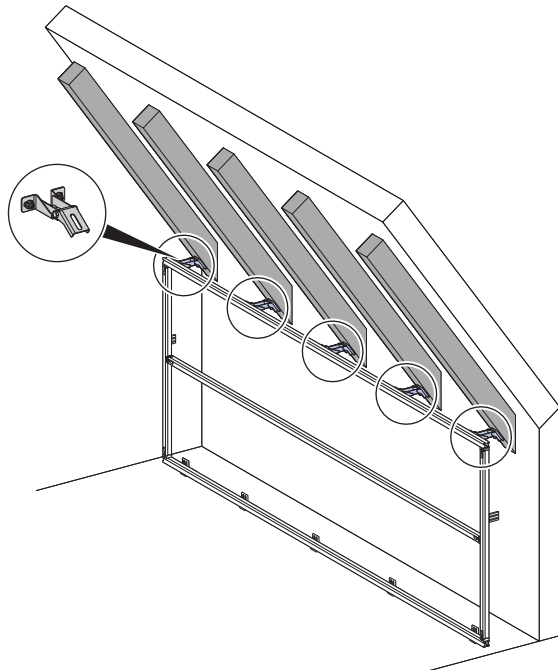
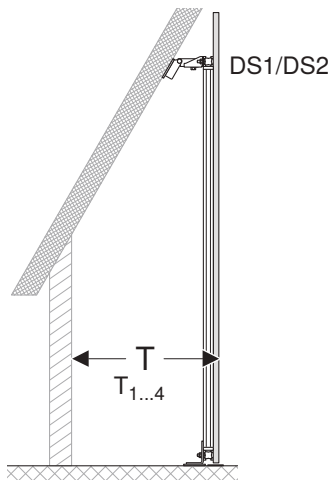
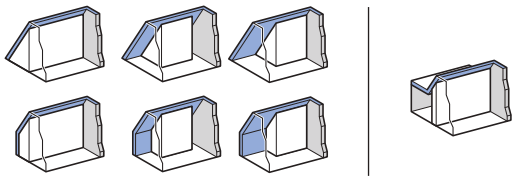




H	B
≤ 220	≤ 500 ✓



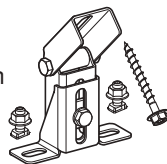




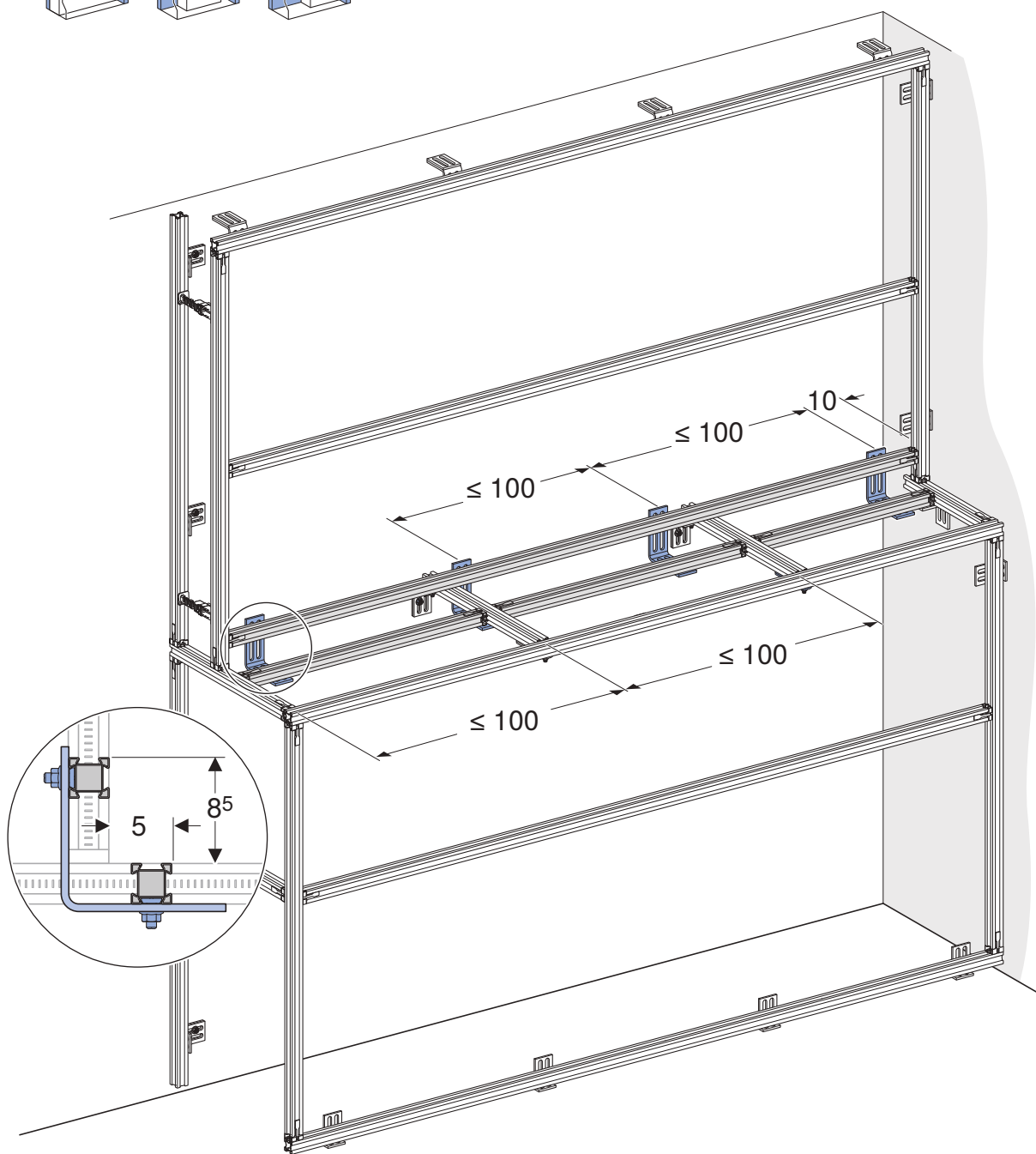
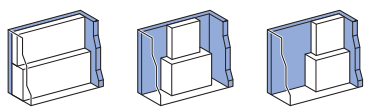
	T ₁	T ₂	T ₃	T ₄	T _{DS1}	T _{DS2}
T ≤ 45 						
	19-24	24 ⁵ -36	36 ⁵ -45	19-45	19-45	25-45
T ≤ 125 	×	×	×	45-125	45-125	45-125
	21 ⁵ -24	24 ⁵ -36	36 ⁵ -45	21 ⁵ -45	21 ⁵ -45	×



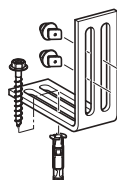
Installation
Manual



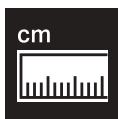
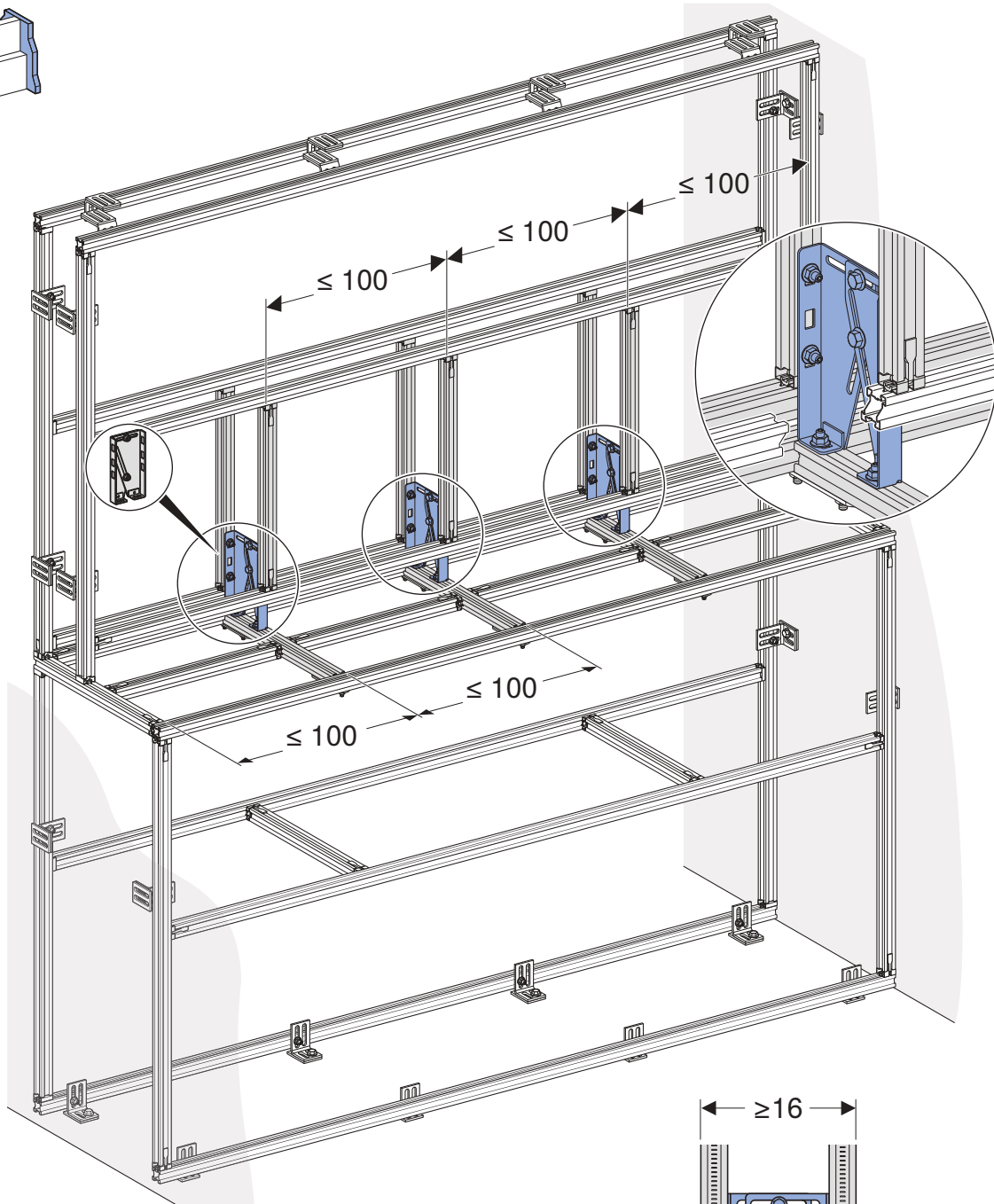
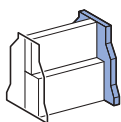
Art.-Nr. 461.191.00.1



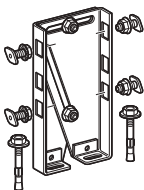
Installation
Manual



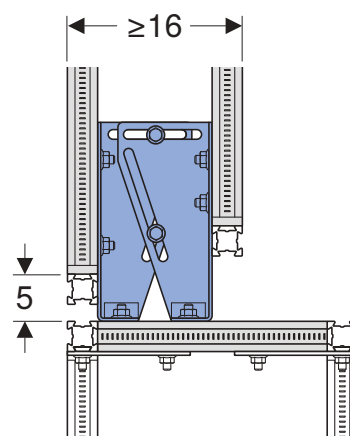
Art.-Nr. 461.185.00.1

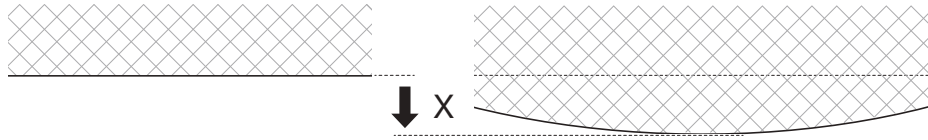
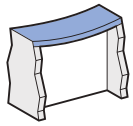


Installation
Manual



Art.-Nr. 461.660.00.1

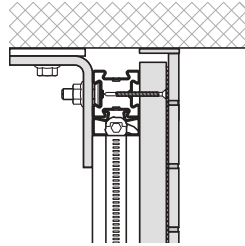




X [mm]



0–5 (Standard Installation)



5–10



461.218.00.1

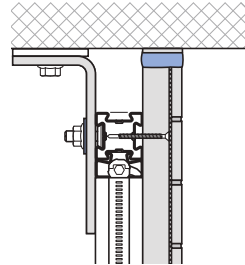


(30x)



971.748

Technical Data Sheet



10–25



461.218.00.1

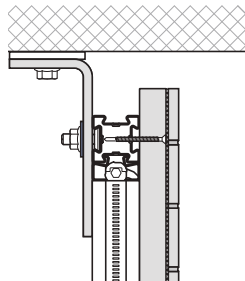


(30x)



971.748

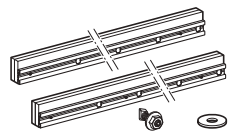
Technical Data Sheet



10–25



461.209.00.1

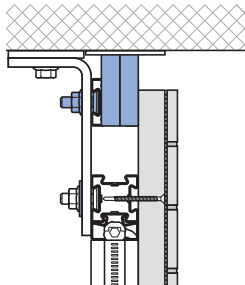


(6x) (12x)



971.749

Installation Manual





Geberit International AG
Schachenstrasse 77, CH-8645 Jona
documentation@geberit.com
www.geberit.com